



Part of GE Security

## UTP Transmission Products Multi-Channel Combiners

### Overview

Combining video, PTZ data and camera power over a single 4-pair UTP cable, the Multi-Channel Video-Power-Data (VPD) Combiner simplifies CCTV installations in a structured wiring environment. Supporting 4, 8 or 16 cameras for up to 3,000 feet, these units are designed to be installed at the intermediate location between the cameras and the control room.

Each camera power output, in addition to an auto-reset fuse, is equipped with a 2A glass fuse accessible from the front panel for extra protection. These units also feature built-in 8- and 16-channel repeatedly fully isolated VAC power supply.

At the camera end, a GE Security video balun/combiner provides video, power and data on separate outputs. The video signals are connected through 4-pair RJ-45 and category-5 cables to passive or active UTP receivers at the control room. The data connections to the DVR are through 4-pair RJ-45 cables, along with a separate data connection for each camera.

### Standard Features (all models)

- Up to 3,000 feet transmission range
- NTSC, PAL and SECAM compatibility for optimum flexibility
- Compact size and no power required for video means quick, easy installation
- 60dB crosstalk and noise immunity for bundling with data, audio and other signals
- Limited lifetime warranty
- Surge protection protects connected video equipment
- 1U high wall or rack mountable reduces requires less CCTV rack space
- Includes 8, 16 or 32 coax jumper cables to save time and money

# Multi-Channel UTP Video-Power-Data Combiners



GEC-4VDPC



GEC-16VDPC







GEC-8VPDCHUB



GEC-16VPDCHUB



## Multi-Channel UTP Video-Power-Data Combiner Comparisons

	GE SKU	GEC-4VDPC	GEC-16VDPC	GEC-8VPDCHUB	GEC-16VPDCHUB
<b>GE Description</b>					
	4-CH Video, Data and Power Combiner	16-CH Video, Data and Power Combiner	8-Channel Powered VPD Combiner HUB	16-Channel Powered VPD Combiner HUB	
<b>Combiner</b>	<b>Video Format</b>	NTSC, PAL, SECAM	NTSC, PAL, SECAM	NTSC, PAL, SECAM	NTSC, PAL, SECAM
	<b>Frequency</b>	DC to 10 MHz	DC to 10 MHz	DC to 10 MHz	DC to 10 MHz
	<b>Twisted Pair</b>	100 Ohms +/- 20%, 24 AWG minimum, unshielded Category 2-7	100 Ohms +/- 20%, 24 AWG minimum, unshielded Category 2-7	100 Ohms +/- 20%, 24 AWG minimum, unshielded Category 2-7	100 Ohms +/- 20%, 24 AWG minimum, unshielded Category 2-7
	<b>Max. Range w/ Passive TX</b>	2,000 feet	2,000 feet	2,000 feet	2,000 feet
	<b>Max. Range w/ Active TX</b>	4,000 feet	4,000 feet	4,000 feet	4,000 feet
	<b>Insertion Loss</b>	0.3 dB	0.3 dB	0.3 dB	0.3 dB
	<b>CMRR</b>	60 dB	60 dB	60 dB	60 dB
	<b>Video Connector</b>	RJ-45	RJ-45	RJ-45	RJ-45
	<b>UTP Connector</b>	Terminal blocks with RJ-45 adapter option	Terminal blocks with RJ-45 adapter option	Terminal blocks with RJ-45 adapter option	Terminal blocks with RJ-45 adapter option
	<b># of Channels</b>	4	16	8	16
<b>Included Accessories</b>	Mounting screws	Mounting brackets for front, rear or wall installations Molded IEC 7-ft. (200 cm) power cord	Mounting brackets for front, rear or wall installations 8 2-ft. (60 cm) coax jumper cables Molded IEC 7-ft. (200 cm) power cord	Mounting brackets for front, rear or wall installations 16 2-ft. (60 cm) coax jumper cables Molded IEC 7-ft. (200 cm) power cord	
<b>Electrical</b>	<b>Input Voltage</b>	110 VAC or 220 VAC	110 VAC or 220 VAC	110 VAC or 220 VAC	110 VAC or 220 VAC
	<b>Output Voltage</b>	1 A maximum per camera, 12 A maximum aggregated	1 A maximum per camera, 12 A maximum aggregated	1 A maximum per camera, 12 A maximum aggregated	1 A maximum per camera, 12 A maximum aggregated
<b>Environmental &amp; Physical</b>	<b>Dimensions</b>	4.97 in (12.6 cm), 6.77 in (17.2 cm) include integrated rackmounts (W) x 1.74 in. (4.2 cm) (H) x 1.77 in. (4.5 cm) (D)	18 in (45.7cm), 19.8 in (50.3 cm) include integrated rackmounts (W) x 1.74 in. (4.2 cm) (H) x 1.77 in. (4.5 cm) (D)	17 in. (43 cm) (W) x 1.74 in. (4.2 cm) (H) x 12 in. (30.5 cm) (D)	17 in. (43 cm) (W) x 1.74 in. (4.2 cm) (H) x 12 in. (30.5 cm) (D)
	<b>Weight</b>	.44 lb (198 g)	1.37 lb (620 g)	14.7 lb (6.65 kg)	22 lb (9.98 kg)
	<b>Material</b>	Extruded Aluminum	Extruded Aluminum	Aluminum sheet metal	Aluminum sheet metal
	<b>Humidity</b>	0 to 95%, non-condensing	0 to 95%, non-condensing	0 to 95%, non-condensing	0 to 95%, non-condensing
	<b>Operating Temperature</b>	-10°C to +50°C	-10°C to +50°C	-10°C to +50°C	-10°C to +50°C
	<b>Storage Temperature</b>	-30°C to +70°C	-30°C to +70°C	-30°C to +70°C	-30°C to +70°C

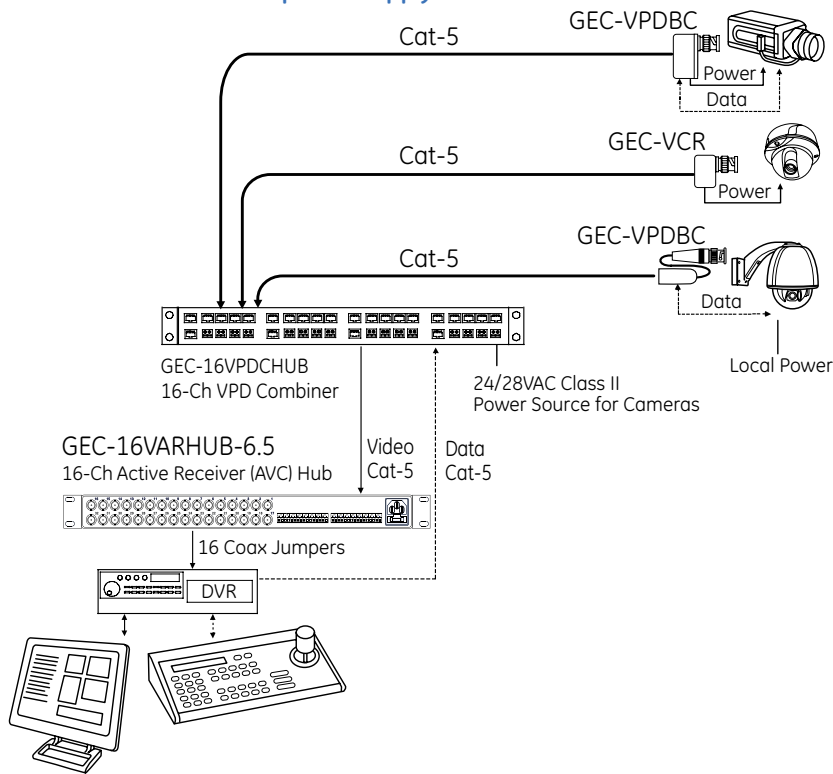
### Agency Compliances

- CE
- UL/cUL

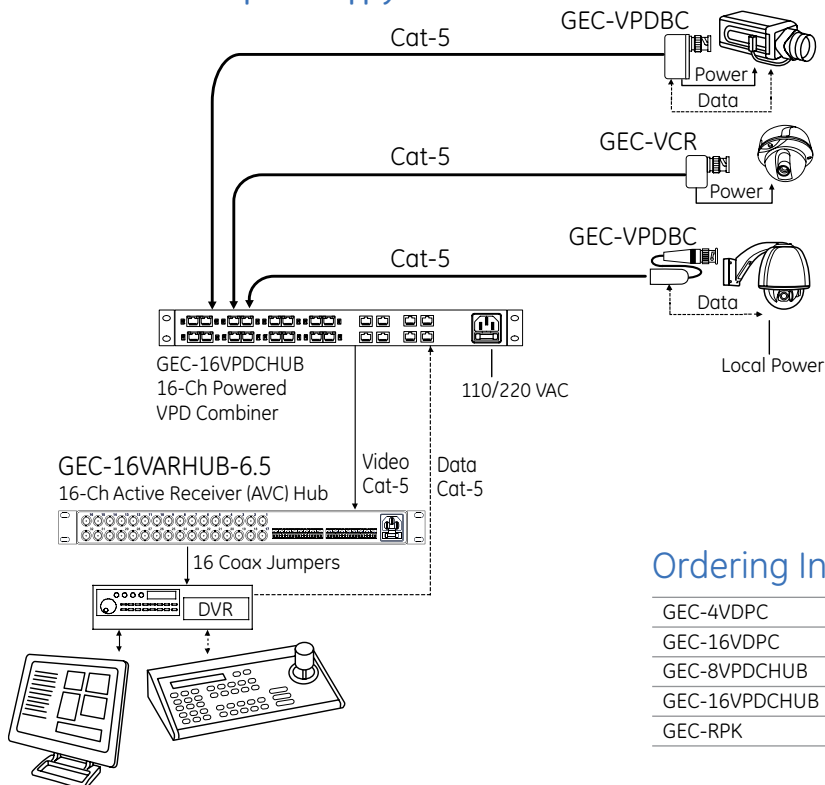


# Application Diagrams

## VPD Combiner without Built-in power supply



## VPD Combiner with Built-in power supply



## Ordering Information

GEC-4VDPC	4-CH Video, Data and Power Combiner
GEC-16VDPC	16-CH Video, Data and Power Combiner
GEC-8VPDCHUB	8-Channel Powered VPD Combiner HUB
GEC-16VPDCHUB	16-Channel Powered VPD Combiner HUB
GEC-RPK	Rack panel kit supports up to three 4-port HUBs



Part of GE Security

North America

T 888-GE-SECURITY  
888-437-3287  
F 503-691-7566  
E [sales@ifs.com](mailto:sales@ifs.com)

Asia

T 852-2907-8108  
F 852-2142-5063

Australia and New Zealand

T 613-9239-1200  
F 613-9239-1299

Europe

T 44-113-238-1668  
F 44-113-253-8121

Latin America

T 305-593-4301  
F 305-593-4300

[gesecurity.com/ifs](http://gesecurity.com/ifs)

Specifications subject to  
change without notice.

© 2010 General Electric Company  
All Rights Reserved



imagination at work