



Overview

GE's Multi-channel Passive UTP Transceiver Hubs are now IFS. Our Multi-channel Passive UTP Transceiver Hubs provide efficient, high-density installation of multiple UTP cabling while converting back to coax at the head-end. These transceiver hubs receive video signals over unshielded twisted pair wires, point-to-point, for distances up to 750 feet when used with passive baluns.

In addition, these modules are compatible with cameras featuring built-in UTP transmitters and "up-the-coax" PTZ control. There is no power required for these units and surge protection is provided on each I/O port. For flexibility and ease of installation, the UTP connection is supported by detachable terminal blocks or EIA/TIA568B compliant RJ-45 connectors.

Need Longer Distance?

- When using these Multi-channel UTP Passive Transceiver Hubs as a video transmitter, distances up to 2,000 ft. can be achieved using an IFS GEC-1AVR-AVC-4 or any VTP-AR4 Series Active Receiver.
- When using these Multi-channel UTP Passive Transceiver Hubs as a video transmitter, distances up to 3,500 ft. can be achieved using any IFS VTP-AR6 Series Active Receiver.

Standard Features

Video

- NTSC, PAL and SECAM compatible
- 60dB crosstalk and noise immunity
- Supports "up-the-coax" PTZ control
- Compatible with cameras with built-in UTP transmitters

Design

- Plug-n-play installation
- No power required
- Surge protection
- 1U rack-mount or wall-mount configurations
- 24" coax jumper cables included (8, 16, 32-ch units only)

Distance

- Up to 750 feet transmission (See overview for configurations allowing greater distances)

Warranty

- Comprehensive Lifetime Warranty

VTP-H Series Multi-channel UTP Passive Transceiver Hubs



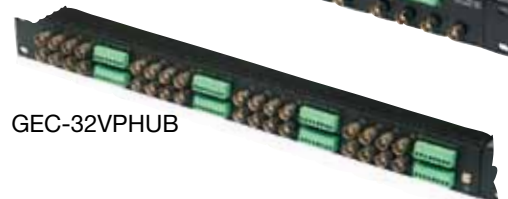
GEC-4VPHUB



GEC-8VPHUB



GEC-16VPHUB



GEC-32VPHUB

North America
 T 888-437-3287
 F 503-691-7566
 E sales@ifs.com

Asia
 T 852-2907-8108
 F 852-2142-5063

Australia and New Zealand
 T 613-9239-1200
 F 613-9239-1299

Europe
 T 32-2-725-11-20
 F 32-2-721-40-47

Latin America
 T 561-998-6100
 F 561-994-6572

Interlogix.com
 utcfireandsecurity.com

Specifications subject to
 change without notice.

© 2010 Interlogix, A UTC Fire & Security Company.
 All rights reserved.

GE and the GE monogram are trademarks of the
 General Electric Company and are under license
 to UTC Fire & Security, 9 Farm Springs Road,
 Farmington, CT 06034-4065

Specifications

Video	
Video Format	NTSC, PAL, SECAM
Video Input	1V p-p
Frequency	DC to 10 MHz
Insertion Loss	0.3 dB
CMRR	60 dB
Cable	
Coax	75 Ohm
Twisted Pair	100 Ohms +/- 20%, 24 AWG minimum, unshielded Category 2-6
Connectors	
Video Connector	BNC
UTP Connector	Terminal blocks or RJ-45 adapter option
Electrical & Mechanical	
Power	No power required
Transient Suppression	6000V
Enclosure	Extruded Aluminum
Environmental	
Operating Temperature	-10°C to +70°C
Storage Temperature	-30°C to +70°C
Humidity	0 to 95%, non-condensing

Ordering Information





GEC-4VPHUB	4-Channel Passive Hub, 1U
GEC-8VPHUB	8-Channel Passive Hub, 19", 1U
GEC-16VPHUB	16-Channel Passive Hub, 19", 1U
GEC-32VPHUB	32-Channel Passive Hub, 19", 1U
Accessory	
GEC-RPK	Rack panel kit – supports up to three 4-channel hubs

Agency Compliances

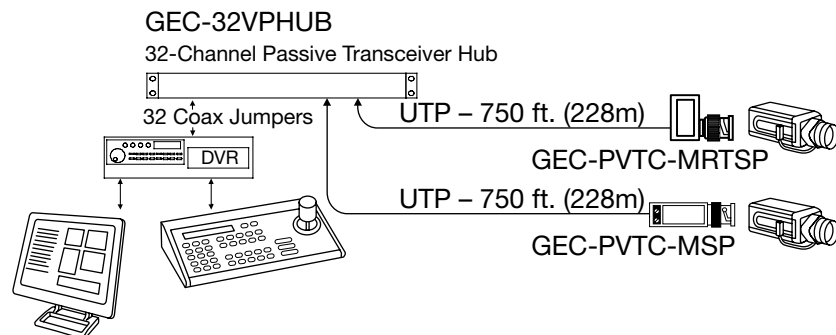
- CE
- UL/cUL



Multi-Channel UTP Passive Transceiver Hub Comparisons

SKU	GEC-4VPHUB	GEC-8VPHUB	GEC-16VPHUB	GEC-32VPHUB
Description				
Number of Channels	4	8	16	32
Height	1.74" (4.2 cm)	1.74" (4.2 cm)	1.74" (4.2 cm)	1.74" (4.2 cm)
Width (w/o ears)	4.97" (12.6 cm)	18" (45.7 cm)	18" (45.7 cm)	18" (45.7 cm)
Width (w/ears)	6.77" (17.2 cm)	19.8" (50.3 cm)	19.8" (50.3 cm)	19.8" (50.3 cm)
Depth	1.77" (4.5 cm)	1.77" (4.5 cm)	1.77" (4.5 cm)	1.77" (4.5 cm)
Weight	.5 lb (228 kg)	.67 lb (303 g)	1.74 lb (788 g)	2.26 lb (1.02 kg)

Typical Application



Security Products by GE are now part of the UTC Fire & Security family



UTC Fire & Security

A United Technologies Company