

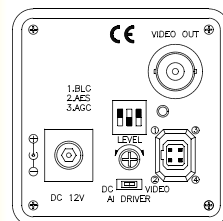
HTC-600 SERIES CCD CAMERA



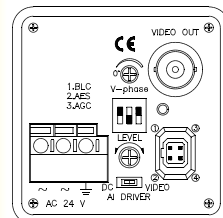
FEATURES

- Auto white balance
- Auto back light compensation
- Line lock available
- 0.2 lux without IR
- Night vision available for colour camera
- Auto switching to monochrome under low light condition (option)

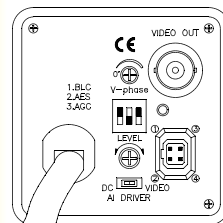
INTERFACE



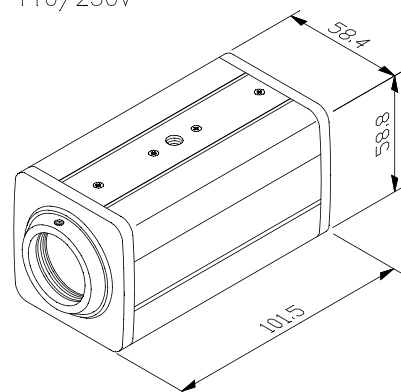
DC 12V



AC 24V



AC 110/230V



	MONOCHROME	COLOUR
Pick-up Device	1/3" CCD image sensor	
Picture Elements (Medium)	NTSC/EIA:510*492, PAL/CCIR: 500*582	
Picture Elements (High)	NTSC/EIA: 768*494, PAL/CCIR: 753*582	
H. Sync Frequency	NTSC/EIA:15.734 KHz, PAL/CCIR:15.625 KHz	
V. Sync. Frequency	NTSC/EIA:59.94 Hz, PAL/CCIR:50 Hz	
Synchronization	Internal/DC type, Line-lock/AC type (option)	
Horizontal Resolution (TV lines)	420 / 580(Hi-res.)	380 / 480(Hi-res.)
Back Light Compensation	ON/OFF Switchable	
Electronic Shutter	ON/OFF Switchable, Rang:1/50(1/60) ~ 1/100,000 sec.	
Gain Control	ON/OFF Switchable	
Lens	CS Mount	
Gamma Correction	0.45	
S/N Ratio	More than 48 dB (AGC OFF)	
Video Output	1 Vp-p, 75 Ohms	
Dimension W*H*D mm	58.4*58.8*101.5	
Power Supply	12VDC, 24/110/230VAC	
Power Consumption	125/145mA (hi-res.)at DC power	180/200mA (hi-res.) at DC power
Weight gr	DC: 270, AC:430	
Storage Temperature	-30°C ~ +60°C	
Operating Temperature	-10°C ~ +45°C	

SPECIFICATIONS ARE SUBJECT TO CHANGE WITHOUT NOTICE

Model	B/W	Colour	DC	AC	Med-res.	Hi-res.	Sensitivity (F1.2)	Chips
HTC-683	○		○	○	○		0.1 Lux	Sony
HTC-686	○		○	○		○	0.2 Lux	Sony
HTC-687	○		○	○		○	○	Panasonic
HTC-65C		○	○	○	○		1 Lux	Sony
HTC-65G		○	○	○		○	2 Lux	Sony

Special Price for Over 10Pcs (Inclusive),
Please Contact:020 8965 0111 or E-mail:sales@huntelelect.co.uk

B/W BOX CAMERA

MODEL	DESCRIPTION
HTC-683/12V	1/3" med-res. B/W box camera, CS mount, 420 TV lines, 0.1 Lux, DC12V, Sony chips
HTC-683/230V	1/3" med-res. B/W box camera, CS mount, 420 TV lines, 0.1 Lux, AC230V with Line Lock, Sony chips
HTC-686/12V	1/3" hi-res. B/W box camera, CS mount, 580 TV lines, 0.2 Lux, DC12V, Sony chips
HTC-686/230V	1/3" hi-res. B/W box camera, CS mount, 580 TV lines, 0.2 Lux, AC230V with Line Lock, Sony chips
HTC-687/12V	1/3" hi-res. B/W box camera, CS mount, 580 TV lines, 0.2 Lux, DC12V with Line Lock, Panasonic chips
HTC-687/230V	1/3" hi-res. B/W box camera, CS mount, 580 TV lines, 0.2 Lux, AC230V with Line Lock, Panasonic chips

COLOR BOX CAMERA

MODEL	DESCRIPTION
HTC-65C/12V	1/3" med-res. color box camera, CS mount, 380 TV lines, 1 Lux, DC12V, Sony chips
HTC-65C/NV/12V	1/3" med-res. box camera, CS mount, 380 TV lines, 1 Lux, night vision, DC12V, Sony chips (IR acceptable)
HTC-65C/230V	1/3" med-res. color box camera, CS mount, 380 TV lines, 1 Lux, AC230V with Line Lock, Sony chips
HTC-65C/NV/230V	1/3" med-res. box camera, CS mount, 380 TV lines, 1 Lux, night vision, AC230V with Line Lock, Sony chips
HTC-65G/12V	1/3" Hi-res. color box camera, CS mount, 480 TV lines, 2 Lux, DC12V, Sony chips
HTC-65G/NV/12V	1/3" Hi-res. box camera, CS mount, 480 TV lines, 2 Lux, night vision, DC12V, Sony chips (IR acceptable)
HTC-65G/230V	1/3" Hi-res. color box camera, CS mount, 480 TV lines, 2 Lux, AC230V with Line Lock, Sony chips
HTC-65G/NV/230V	1/3" Hi-res. box camera, CS mount, 480 TV lines, 2 Lux, night vision, AC230V with Line Lock, Sony chips (IR acceptable)

B/W EX-VIEW BOX CAMERA

MODEL	DESCRIPTION
HTC-683EV/12V	1/3" med-res. B/W ex-view box camera, CS mount, 420 TV lines, 0.01 Lux, DC12V, Sony chips
HTC-683EV/230V	1/3" med-res. B/W ex-view box camera, CS mount, 420 TV lines, 0.01 Lux, AC230V with Line Lock, Sony chips
HTC-686EV/12V	1/3" hi-res. B/W ex-view box camera, CS mount, 580 TV lines, 0.02 Lux, DC12V, Sony chips
HTC-686EV/230V	1/3" hi-res. B/W ex-view box camera, CS mount, 580 TV lines, 0.02 Lux, AC230V with Line Lock, Sony chips

COLOUR EX-VIEW BOX CAMERA

MODEL	DESCRIPTION
HTC-65CEV/12V	1/3" med-res. Colour ex-view box camera, CS mount, 380 TV lines, 0.02 Lux, DC12V, Sony chips
HTC-65CEV/NV/12V	1/3" med-res. colour ex-view box camera, CS mount, 380 TV lines, 0.02 Lux, night vision, DC12V, Sony chips (IR acceptable)
HTC-65CEV/230V	1/3" med-res. colour ex-view box camera, CS mount, 380 TV lines, 0.02 Lux, night vision, AC230V with Line Lock, Sony chips
HTC-65CEV/NV/230V	1/3" med-res. colour ex-view box camera, CS mount, 380 TV lines, 0.02 Lux, night vision, AC230V with Line Lock, Sony chips (IR acceptable)
HTC-65GEV/12V	1/3" Hi-res. colour ex-view box camera, CS mount, 480 TV lines, 0.05 Lux, DC12V, Sony chips
HTC-65GEV/NV/12V	1/3" Hi-res. colour ex-view box camera, CS mount, 480 TV lines, 0.05 Lux, night vision, DC12V, Sony chips (IR acceptable)
HTC-65GEV/230V	1/3" Hi-res. ex-view box camera, CS mount, 480 TV lines, 0.05 Lux, AC230V with Line Lock, Sony chips
HTC-65GEV/NV/230V	1/3" Hi-res. colour ex-view box camera, CS mount, 480 TV lines, 0.05 Lux, night vision, AC230V with Line Lock, Sony chips (IR acceptable)