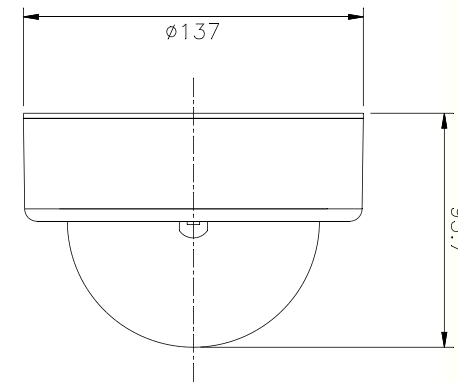




HTC-11 SERIES VANDAL CAMERA

FEATURES

- Unbreakable housing
- Weatherproof
- Burglarproof screw
- Night Vision available for colour camera
- Night Vision model 0 lux with IR
- AC24V with Line Lock available
- SONY Ex-view sensor available
- LED Built-in for IR distance : 10 M (option)
- Auto switching to monochrome under low light condition (option)



	MONOCHROME	COLOUR
Pick-up Device	1/3" CCD image sensor	
Picture Elements (Medium)	NTSC/EIA: 510*492, PAL/CCIR: 500*582	
Picture Elements (High)	NTSC/EIA: 768*494, PAL/CCIR: 752*582	
H. Sync Frequency	NTSC/EIA:15.734 KHz, PAL/CCIR:15.625 KHz	
V. Sync. Frequency	NTSC/EIA:59.94 Hz, PAL/CCIR:50 Hz	
Synchronization	DC : Internal / AC: Line lock (option)	
Horizontal Resolution (TV lines)	420 / 580(Hi-res.)	380 / 480(Hi-res.)
Back Light Compensation	AUTO	ON/OFF Switchable
Electronic Shutter	AUTO Range:1/50(1/60) ~ 1/100,000 sec.	ON/OFF Switchable, Range:1/50(1/60) ~ 1/100,000 sec.
Gain Control	AUTO	
Lens	Varifocal auto iris 4-8mm lens, board lens 3.6mm (2.9, 6, 8, 12mm) option	
Gamma Correction	0.45	
S/N Ratio	More than 48 dB (AGC OFF)	
Video Output	1 Vp-p, 75 Ohms	
Dimension mm	φ 137 * H93.7	
Power Supply	12VDC or 24VAC	
Power Consumption	110/130mA (hi-res.) at DC power	165/185mA (hi-res.) at DC power
Weight gr	740	
Storage Temperature	-30°C ~ +60°C	
Operating Temperature	-10°C ~ +45°C	

SPECIFICATIONS ARE SUBJECT TO CHANGE WITHOUT NOTICE

Model	B/W	Color	DC	AC24V	Med-res.	Hi-res.	Sensitivity	LED
HTC-113/3.6	○		○	○	○		0.1	
HTC-113/4-8	○		○	○	○		0.1	
HTC-116/3.6	○		○	○		○	0.2	
HTC-116/4-8	○		○	○		○	0.2	
HTC-11C/3.6		○	○	○	○		1	
HTC-11C/6.0/IR		○	○	○	○		0	○
HTC-11C/4-8		○	○	○	○		1	
HTC-11G/3.6		○	○	○		○	2	
HTC-11G/6.0/IR		○	○	○		○	0	○
HTC-11G/4-8		○	○	○		○	2	
HTC-11CEV/3.6		○	○	○		○	0.02	
HTC-11CEV/4-8		○	○	○		○	0.02	
HTC-11GEV/3.6		○	○	○		○	0.05	
HTC-11GEV/4-8		○	○	○		○	0.05	

Special Price for Over 10Pcs (Inclusive),
Please Contact:020 8965 0111 or E-mail:sales@huntelect.co.uk

B/W VANDAL DOME

MODEL	DESCRIPTION
HTC-113/3.6	1/3" med-res. B/W vandal dome, 3.6mm lens, 420 TV Lines, 0.1 Lux, DC12V, Sony chips
HTC-113/4-8	1/3" med-res. B/W vandal dome, 4-8mm Auto iris varifocal lens, 420 TV Lines, 0.1 Lux, DC12V, Sony chips
HTC-116/3.6	1/3" hi-res. B/W vandal dome, 3.6mm lens, 580 TV Lines, 0.2 Lux, DC12V, Sony chips
HTC-116//4-8	1/3" hi-res. B/W vandal dome, 4-8mm Auto iris varifocal lens, 580 TV Lines, 0.2 Lux, DC12V, Sony chips

COLOUR VANDAL DOME

MODEL	DESCRIPTION
HTC-11C/3.6	1/3" med-res. colour vandal dome, 3.6mm lens, 380 TV Lines, 1 Lux, DC12V, Sony chips
HTC-11C/4-8	1/3" med-res. colour vandal dome, 4-8mm Auto iris varifocal lens, 380 TV Lines, 1 Lux, DC12V, Sony chips
HTC-11G/3.6	1/3" hi-res. colour vandal dome, 3.6mm lens, 480 TV Lines, 2 Lux, DC12V, Sony chips
HTC-11G/4-8	1/3" hi-res. colour vandal dome, 4-8mm Auto iris varifocal lens, 480 TV Lines, 2 Lux, DC12V, Sony chips

COLOUR IR VANDAL DOME

MODEL	DESCRIPTION
HTC-11C/6.0/IR	1/3" med-res. colour IR vandal dome, 6.0mm lens, 380 TV Lines, 0 Lux, DC12V, Sony chips
HTC-11G/6.0/IR	1/3" hi-res. colour IR vandal dome, 6.0mm lens, 480 TV Lines, 0 Lux, DC12V, Sony chips

COLOUR EX-VIEW VANDAL DOME

MODEL	DESCRIPTION
HTC-11CEV/3.6	1/3" med-res. colour ex-view vandal dome, 3.6mm lens, 380 TV Lines, 0.02 Lux, DC12V, Sony Ex-view Sensor
HTC-11CEV/4-8	1/3" med-res. colour ex-view vandal dome, 4-8mm Auto iris varifocal lens, 380 TV Lines, 0.02 Lux, DC12V, Sony Ex-view Sensor
HTC-11GEV/3.6	1/3" hi-res. colour ex-view vandal dome, 3.6mm lens, 480 TV Lines, 0.05 Lux, DC12V, Sony Ex-view Sensor
HTC-11GEV/4-8	1/3" hi-res. colour ex-view vandal dome, 4-8mm Auto iris varifocal lens, 480 TV Lines, 0.05 Lux, DC12V, Sony Ex-view Sensor