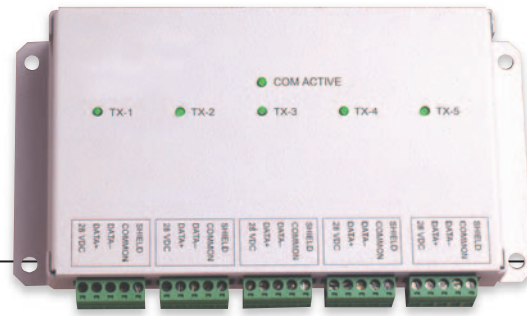


NexStar™

S-Net Multiplexer



NexStar™ is a 5-port RS-485 multiplexer that provides a link between a NexSentry access control unit and multiple RS-485 runs. NexStar™ allows home run wiring to connect between RS-485 communication devices and a controller.

When used with NexLine™ adapters, NexStar™ provides a simple and inexpensive way to use existing coaxial wiring in a digital access control system. This allows use of digital readers

and other RS-485 devices. NexStar™ also provides an inexpensive solution for upgrading systems with Wiegand wiring schemes to RS-485 protocol. The RS-485 transceivers are removable to facilitate port isolation during system troubleshooting and support for plug-in RS-232 modules. With the optional RS-232 adapter installed, the NexStar™ becomes a Half Duplex RS-232 to RS-485 converter.

BENEFITS

- Maximum flexibility for wiring RS-485 communications in an installation through multi-drop connections.
- Network wiring lengths up to 20,000 feet.
- Conversion path from analog technology to digital technology. Using Honeywell's NexLine™ adapters, existing coax can be used in a digital system.
- Upgrade path for Wiegand style networks to RS-485 using the existing twisted-pair wiring.
- Compatibility with Honeywell's DigiReader™ digital proximity readers.
- Compatibility with NexSentry™ STAR® Series and 4100 Series, Alto™ 818SC, and SE422 Series access control units.

FEATURES

- Four S-Net ports for star configuration wiring to readers and one port for multiplexing to a controller
- Facilitates installation and/or upgrade by allowing several different wiring options with Honeywell's advanced digital controller and components
- Phoenix connectors allow easy wiring
- Built-in termination
- Reliable transfer of data
- Allows increased wiring range by offering home-run connectability, while still providing multi-drop capability
- Each RS-485 transceiver supports up to 16 S-Net devices per port
- LED indicators for each RS-485 port provide status on communications activities
- Removable (socketed) RS-485 transceiver chips for ease in troubleshooting
- Minimizes costly daisy-chain requirements while improving power and signal distribution efficiency over daisy chain links
- Allows a high level communication protocol (S-Net), yielding better performance
- UL 294 listed access control system component

NexStar™

S-Net Multiplexer

SPECIFICATIONS

Construction:

- Sheet metal ESD protected enclosure
- Dimensions: 4.10 x 7.25 x 1.35 in. / 10.41 x 18.42 x 3.43 cm
- Weight: 13 oz. / 400 g

Environmental:

- Operating Temperature range: 4° F to 120° F / -20° C to 50° C
- Operating humidity range: 0 to 90%, non-condensing

Power:

- Input voltage: +15 to +28 VDC
- Operating current: 50 mA
- Pass through current: 2A

Connections:

- Five identical ports
- Each RS-485 transceiver supports up to 16 S-Net devices per port
- Individual RS-485 S-Net port fuses
- LED indicators for each RS-485 port
- Removable (socketed) RS-485 transceiver chips
- Connectors: Phoenix
- Communications: S-Net communications through single twisted pair wire with overall shield

Wiring:

- Single S-Net run using twisted pair wiring up to 4,000 feet / 1,200 m
- Using all NexStar™'s five symmetrical ports, the end-to-end S-Net length can span up to 8,000 feet (2400 meters) and contain up to 20,000 feet / 6,000 meters of installed wiring
- Separate twisted-pair cables for data and power can be used when wire run lengths exceed 500 feet (150) meters

Feedback:

- 5- (five) port LEDs shall illuminate when the associated port is transmitting
- The COM ACTIVE LED shall be illuminated when any data is being passed through NexStar™

Compatible components:

- DigiReader™ Series digital proximity readers
- NexSentry™ 4100 Series Controllers
- Alto™ 818 SC Controller

APPLICATIONS

- In facilities currently using twisted pair (Wiegand style) wiring that want to upgrade to a Honeywell digital system.
- In facilities that want to use existing coax wiring for a new digital access control system, with NexLine™ adapters.
- For simplified wiring options in new installations or upgrades.
- In applications that require long distances between reader and controller, up to 4,000 feet for each port.

DigiReader™, NexStar™, NexLine™, and NexLine Plus™ are trademarks of Honeywell International Inc. STAR® is a registered trademark of Honeywell International Inc.

ORDERING

92043051000	NexStar™
92043051001	NexStar™ RS-232 Adapter
92043020000	NexLine™ Coax Adapter
92043060000	NexLine™ Plus

For more information: www.honeywellaccess.com

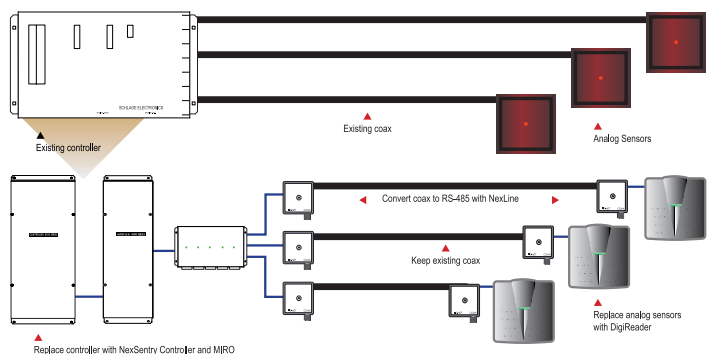
Honeywell Integrated Security

135 W. Forest Hill Avenue
Oak Creek, WI 53154
414-766-1700
414-766-1798 Fax

European Office

Böblinger Straße 17
D-71101 Schönaich
Germany
49-7031-637-782
49-7031-637-769 Fax
www.honeywell.com

Sample NexStar Conversion Configuration: Benefits of latest technology with existing coax



Honeywell