

IS216T-CUR

Curtain PIR motion sensor

The IS216T-CUR is a passive infrared motion sensor with a curtain detection pattern. It is fully featured with dual slope temperature compensation, shock algorithm and digital signal processing. A curtain PIR is used for e.g. a shop window or a corridor.

This sensor is designed to fully comply with EN50131-1 and TS50131-2-2 Grade 2, Class II.

Dip switch setting, a large wiring channel and mounting flexibility make the IS216T-CUR easy to install.

Compromising the IS216T-CUR is inhibited by the look-down zones, tamper switch, sabotage-resistant lens design and the magnet-proof relay.

All these factors make the IS216T-CUR an ideal sensor for residential and light commercial applications.



Features

- Meets EN 50131-1 and TS50131-2-2 Security Grade 2, Class II Environmental
- Advanced Dual slope temperature compensation provides improved protection in warm environment
- Digital processing for improved catch and false alarm protection
- Shock algorithm to reduce false alarms
- Solid State alarm relay cannot be compromised by a magnet
- Dip switches for easy setting of parameters
- 10 min. walk test after start-up or trigger
- Improved RF immunity offering additional protection against false activations
- Large wiring channel on back to allow surface wiring
- Patented look-down mirror provides optimum detection directly beneath the sensor
- Wall-mount and corner mount knockouts provides mounting flexibility
- Sabotage-resistant lens design
- Selectable sensitivity
- Tamper switch is activated before access is possible
- White Light Immunity of minimum 6500 Lux reduces false activation
- Bug guard prevents insects access to the sensor optics preventing false activation
- Designed for residential and lightcommercial applications
- Silent relay allows for use in quiet environments

IS216T-CUR

Curtain PIR motion sensor

Specifications

Detection method	Dual element passive infrared
Range	10 m. in vertical wall mount orientation
Detection zones	18 and 4 look-down
PIR sensitivity	Low (Pulscount 2) and High (Pulscount 1)
LED Enable	By dipswitch
Mounting Height	1.5 to 2.7
Power requirements	8.5~15.4 Vdc, 16 mA @ 12 Vdc
Alarm Relay	Form A (NC) / 30 mA@24 Vdc, max. 40 Ohm protective resistor
Tamper Switch	30 mA @ 24 Vdc
Operating Temperature	-10°C to +55°C
Temp. compensation	Advanced dual slope
Relative humidity	5% – 95% non condensing
RF Immunity	30 V/m from 10 to 1000 MHz.
WLI	Better than 6500 Lux
Dimensions	86 x 60 x 38 mm (HxWxD)
Weight	67 gram

Ordering:

IS216T-CUR

Curtain passive infrared motion sensor

Accessories:

SMB-10

White swivel mount bracket (5 pack)

SMB-10C

White ceiling mount bracket (5 pack)

SMB-10T

Tampered white swivel mount bracket (5 pack)

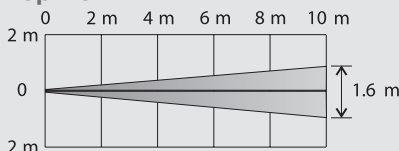
Agency Listings:

- Meets PD6662, EN50131-1 and TS 50131-2-2 Grade 2, Environmental Class II
- CE

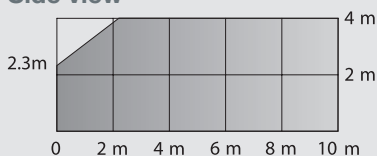
Detection Patterns

Vertical wall mount

Top view

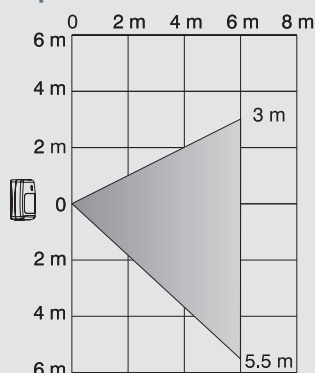


Side view

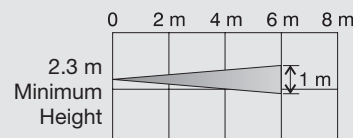


Horizontal wall mount

Top view



Side view



Honeywell Security & Custom Electronics

Newhouse Industrial Estate, Motherwell,
Lanarkshire, ML1 5SB UK

Tel +44 (0)1698 738200

Fax +44 (0)1698 738300

Literature +44 (0)870 240 3387

www.honeywell.com/security/uk/intruder

Honeywell Security & Custom Electronics

Network 121, 1446 WV Purmerend

The Netherlands

Tel +31 (0) 299-410200

Fax +31 (0) 299-410201

www.honeywell.com/security/nl

HSCE-IS216TCUR-02-EN(0207)DS-C
February 2007
© 2007 Honeywell International Inc.

Honeywell