

HREP DVR

200 IPS (PAL) 16 & 8 Channel, 100 IPS (PAL) 4 Channel - Embedded Digital Video Recorder

The HREP digital video recorder (DVR) offers clear crisp video using H.264 video compression and supports a high-end feature set that exceeds the needs of many surveillance applications at a very economical price.

Recording at a rate of up to 200 ips PAL, the HREP DVR supports a wide variety of capabilities such as mouse operation, IR remote control, and multiple search engines to quickly find video evidence. Video evidence files can be loaded onto CD, DVD, or USB media easily with an internal DVD burner and 2 USB ports. When saving video clips to portable media, a viewer executable is included with each clip. This eliminates the need to install a viewer separately on the evidence viewing PC. HREP supports continuous and event recording and is configurable per channel. HREP can also be configured to record upon detection of motion within a user-specified area, under camera surveillance. Recording upon detection of motion can be used to maximise storage efficiency.

HREP can be remotely accessed by system administrators and other DVR clients using a PC via Web browser. System operators can have access privileges enabled or denied for functions such as Set-up, PTZ, Search, Archive, and Remote Access. Once the video evidence is found, the user can save video clips to the PC and / or to portable media such as a USB stick.

Market Opportunities

Supporting an advanced feature set and low pricing, HREP is an ideal DVR for a wide variety of surveillance applications including small to medium size retail outlets, apartment buildings, warehouse, and educational facilities. HREP is well suited to support applications requiring clear video playback for capturing maximum detail of activity through building entrances and exits.

Web browser remote access opens up many new application possibilities for the HREP DVR. Business owners can monitor their businesses from virtually any location using a PC with a Web browser and Internet access.

For most surveillance applications HREP's powerful search engine can be used to quickly identify evidence of theft and its viewer executable makes it easy to hand-over video evidence to others for viewing on a PC.

Features

- 4, 8 or 16 video inputs
- 4 audio inputs, 1 audio output
- Continuous recording during playback and during transmitting to remote site
- Mouse (not included) control via front panel
- Built-in DVD burner and 2 USB 2.0 ports
- Records up to 200 images per second PAL
- PTZ dome control for a wide variety of protocols
- Remote access through web browser and/or Central Management Software, LAN/WAN (internal NIC), and DSL (remote access via Web browser)
- Self-diagnostics including hard disk drive S.M.A.R.T. monitoring
- Infrared Remote Control included
- Embedded Linux OS — OS embedded in flash



HREP DVR

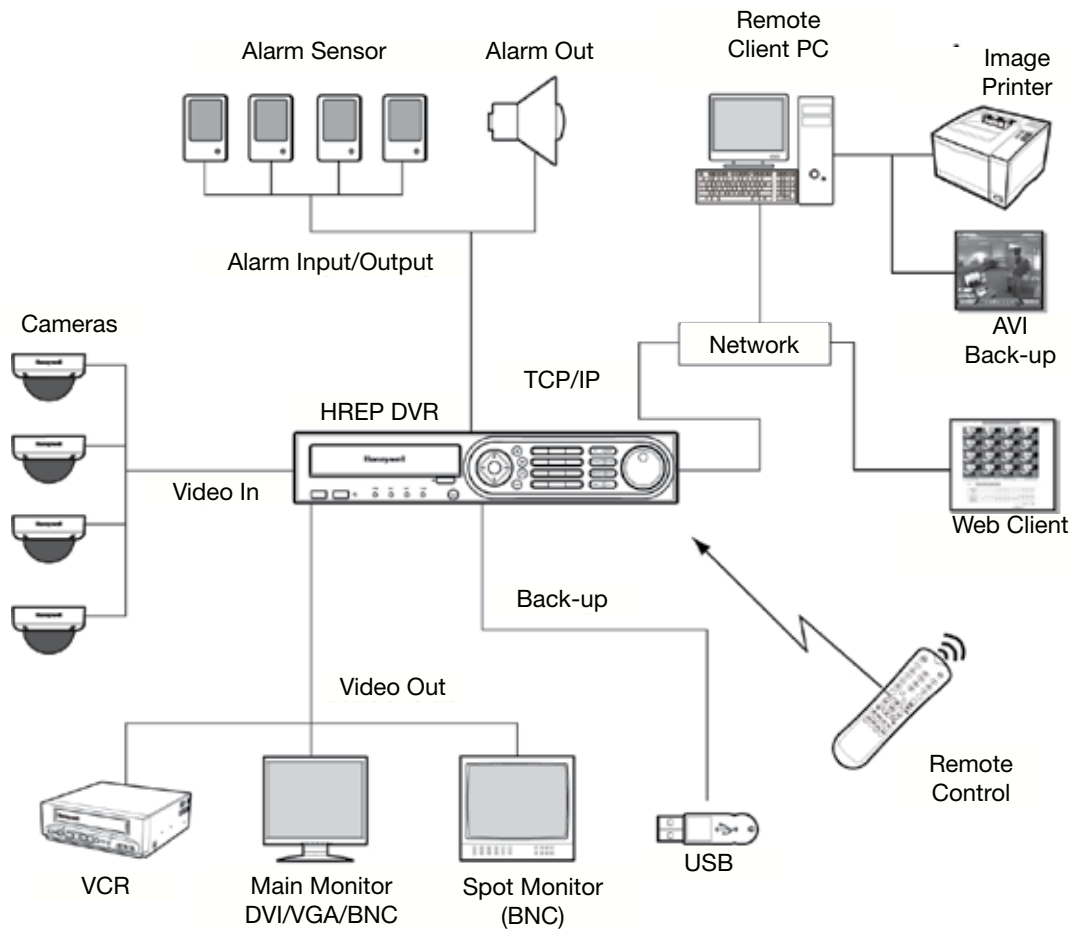
SPECIFICATIONS

Remote Access	
Sessions Maximum per HREP recorder	4 simultaneous connections
Administration; configuration, live view, search	4 sessions
Users Viewing Live Video and retrieving video	4 sessions
Above with PTZ control	One at a time controlling PTZ
Compatibility	Microsoft Windows XP, Windows Vista and Windows 7; See HREP User Guide for additional detail
Recorder Unit	
Video Standard	NTSC or PAL switch selectable
Colour Control	Brightness, contrast, tint and colour
Recording and Transmission Compression Algorithm	H.264
Record Mode	(FIFO) Continuous buffer
Recording Capacity	Hard Drive capacities up to 2TB, see ordering section for details
Video Resolution Settings	CIF: 352 x 288 (PAL) 2CIF: 704 x 288 (PAL) 4CIF: 704 x 576 (PAL)
Video Motion Detection	Configurable zone detection area and sensitivity
Event Recording and Reporting	Input via – alarm input contacts, and motion. Reporting via alarm output contacts
Removable Media	Built-in DVD-RW option and 2 – USB ports
Still Image	JPEG file using Remote Access
Front Panel Control	Intuitive operation supports IR Remote Control and mouse
DHCP Enabled	DHCP or Static IP entry
Port number set-up	Individual entries for remote port and web port
PTZ Protocols Support	Support for up to 20 PTZ protocols
Language Support	English, Spanish, German, Dutch, Italian, French, Portuguese,

Connections	
Video Input	4/816, BNC 1 Vp-p @ 75 Ohms, Auto Terminating
Video Output	1 – Composite Main Monitor, BNC 1 Vp-p @ 75 Ohms 1 – DVI Main Monitor & VGA adaptor 1 – Spot BNC 1 Vp-p @ 75 Ohms
Audio Input/Output	Input: 4 Channel, Line level, 10kohm, 1Vp-p Output: 1 Channel, Line level, 10kohm, 1Vp-p
Alarm Input/Output General Purpose	4 – alarm inputs with common ground 1 – relay output; NC/NO terminal block
Serial Ports	2 – USB (2.0) ports via front panel 1 – RS485 terminal block
Primary Storage	4ch – 1 SATA HDD 8/16ch – 2 SATA HDD
Networking	Gigabit Ethernet (RJ-45)
Electrical	
Input Voltage	Power Adapter; 100 ~ 240V, 50/60Hz, 1.5A
Power Consumption	4/22, 8/ 26, 16/ 28 Watts
Mechanical	
Dimensions (W x H x D)	362 mm x 67 mm x 413 mm
Weight	Unit: 4.3Kg Shipping: 7.5Kg
Construction	Housing: Steel chassis
Environmental	
Temperature	Operating: 0°C to 40°C Storage: -40°C to +70°C
Relative Humidity	0% - 90%, non-condensing
Regulatory	
Emissions	CE : EN55022 CLASS A FCC: Part 15 Subpart B CLASS A
Immunity	EN50130-4
Safety	cUL, UL 60950-1

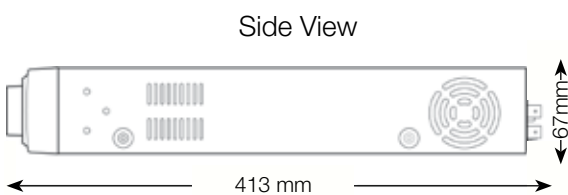
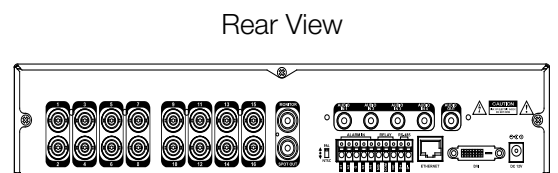
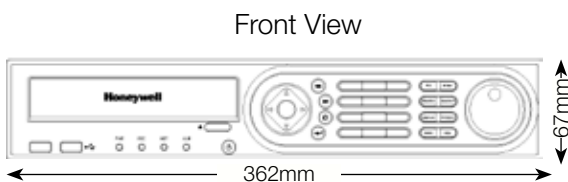
HREP DVR

SYSTEM DRAWING AND DIMENSIONS



Dimensions

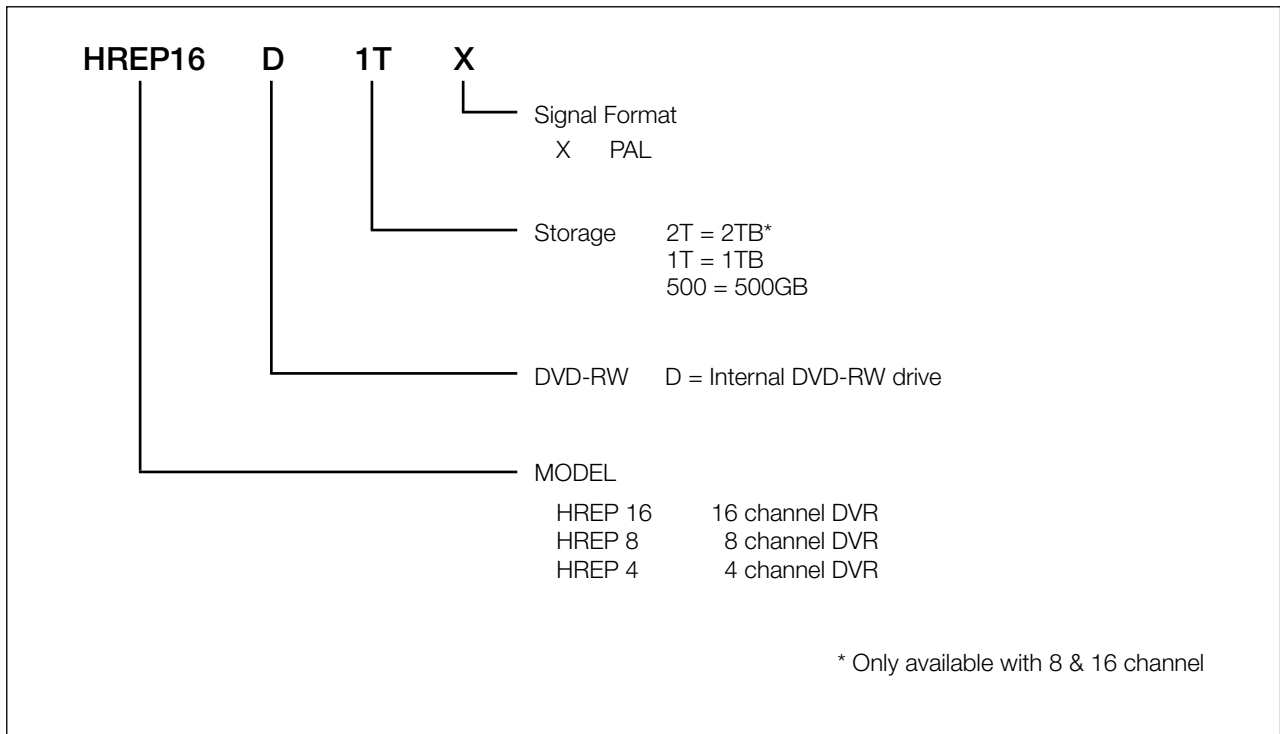
(example shown is 16 ch DVR)



HREP DVR

ACCESSORIES AND ORDERING

Recommended Accessories		Cameras	
HREP DVR		HB73SX	IR Bullet, super high resolution true day/night
HREPRC	Spare IR remote control	HD73X	Mini Dome, super high resolution day/night, vandal resistant
HREPRMKT	Spare 19-inch rack mount kit	HD3CHSX	Mini Dome, super high resolution day/night
Monitors		ACUIX™	High-performance PTZ cameras
HMLCD17LX	17" L-Series colour LCD monitor (VGA)	Surge Protection	
		HCSP1	Camera surge protector
		HDSP1	PTZ Dome surge protector



Note: Honeywell reserves the right, without notification, to make changes in product design or specifications.

For additional information,

please visit www.honeywell.com/security/uk

Honeywell Security Group

Aston Fields Road
Whitehouse Industrial Estate
Runcorn
Cheshire
WA7 3DL

Tel: 08448 000 235

www.honeywell.com

HVS-HREP-01-UK(0910)DS-G
September 2010
©2010 Honeywell International Inc.

