

Megapixel Series Vari-focal Lenses

IR CORRECTED ASPHERICAL, DC AUTO IRIS/MANUAL IRIS

Honeywell's range of megapixel (high definition) Vari-focal lenses is ideally matched for high resolution sensors on high-end security cameras. The new lenses are a perfect solution for Vari-focal limitations, high-resolution and high-sensitivity needs. These lenses enable high definition cameras to maintain clear focus for all focal lengths within the zoom range.

Today's network IP camera systems demand compact lenses that provide the best optical performance while being easy to install and adjust. Designed especially for low light capability, these lenses offer the most compact size on the market while maintaining the widest maximum apertures for a given focal length range. They offer the ability to provide a high contrast, sharp, detailed picture of the subject in daylight and low light, allowing identification of a subject rather than just observation.

Featuring world-class design, these megapixel lenses bring together the highest quality aspherical glass optics, lightweight construction and durability to ensure state-of-the-art optical correction, transmission and light-gathering ability. Equipped with a glass that offers low dispersion and a high refractive index, the high-accuracy aspherical lens maximises optical performance.

Vari-focal length lenses allow the installer to obtain the exact field of view quickly and easily, eliminating lens substitutions or the need to continuously adjust the camera setup. This is especially convenient for future changes to the viewing environment.

Megapixel Auto Iris lenses offer 1/4" or 1/3" format and are compatible with the vast majority of today's megapixel network cameras. For the DC lens (HLD3V8MPD), the camera controls the iris through an industry-standard 4-pin connector and cable. HLM45V13MPD manual lenses allow the installer to set the depth of field for a specific application.

Market Opportunities

Lens selection is the most critical element in any IP network CCTV installation. Honeywell's range of IR Corrected Vari-focal lenses provides the highest quality, reliability and ease of installation. In addition to extraordinary low-light functionality, Honeywell's day/night lenses are compact, lightweight and easy to install, making them perfect for use with True Day/Night cameras. The day/night Vari-focal lenses are ideal in outdoor installations such as car parks, ports, and other areas where low light imaging is important.

Features

- 3 megapixel
- Full HD format
- Corner brightness
- Fastest maximum aperture of lens in class
- Focal length ranges from 3-8 mm (HLD3V8MPD) and 4.5-13.2 mm (HLM45V13MPD)
- Equipped with a CS-type metal mount
- High-accuracy aspherical lens with a glass having a low dispersion and high-refractive index for optimum performance
- IR corrected Vari-focal lens ensures that focus shift does not occur when the camera switches between colour and monochrome modes
- Lightweight and compatible with 1/4" and 1/3" type image sensors



HLD3V8MPD

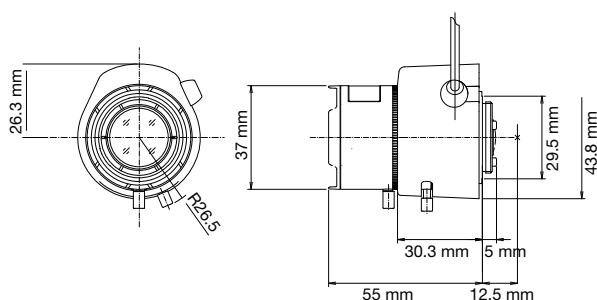


HLM45V13MPD

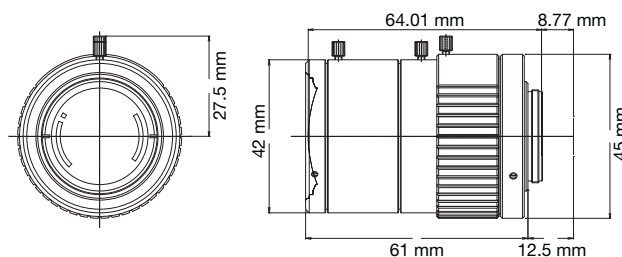
Megapixel Series Vari-focal Lenses

SPECIFICATIONS

LENSES		HLD3V8MPD		HLM45V13MPD	
Image Format		1/4"	1/3"	1/4"	1/3"
Lens Mount		CS (Metal mount)		CS (Metal mount)	
Focal Length		3.0-8.0 mm (2.7 X)		4.5-13.2 mm (2.9 X)	
Max Aperture Ration		1: 1.2		1: 1.8	
Angle of View	D	84.8° - 33°	115.8° - 43.9°	56.08° - 20.13°	75° - 26.82°
	H	67.3° - 26.5°	90.7° - 35.2°	44.80° - 16.12°	60° - 21.5°
	V	50.2° - 19.9°	67.3° - 26.5°	33.56° - 12.10°	44.8° - 16.12°
Operation Range	Iris	F1.2 ~ T360		F1.8 ~ T360	
	Focus	0.3 m - Infinity		0.5 m - Infinity	
	Zoom	3.0-8.0 mm		4.5-13.2 mm	
Iris Control		DC Auto	4-pin DC	Manual	
Flange Back Length		12.5 mm		12.5 mm	
Back Focal Length	Tele/Wide	7.8 mm/7.8 mm		18.83-8.78 mm	
Coil Resistance	Drive Coil:	190 Ohms		N/A	
	Damping Coil:	855 Ohms		N/A	
Current Consumption (max @ DC 4V)		22 mA		22 mA	
Dimensions (L x W x H)		37 x 48.2 x 55 mm		42 x 61 mm	
Weight	Unit:	61 g		148 g	
Construction	Housing:	ABS Plastic		Metal	
	Finish:	Black		Black	
Temperature	Operating:	-10°C to 50°C		-10°C to 50°C	
	Storage:	-20°C to 60°C		-20°C to 60°C	
Relative Humidity		Up to 90%		Up to 90%	



HLD3V8MPD



HLM45V13MPD

Ordering	
HLD3V8MPD	3.0-8.0 mm, F1.2, 3 MP Auto Iris Aspherical Vari-focal, IR corrected Lens
HLM45V13MPD	4.5-13.2 mm, F1.8, 3 MP Manual Iris Aspherical Vari-focal, IR corrected Lens

NOTE: Honeywell reserves the right, without notification, to make changes in product design or specifications.

For additional information,

please visit www.honeywell.com/security/uk

Honeywell Security Group

Aston Fields Road
 Whitehouse Industrial Estate
 Runcorn
 Cheshire
 WA7 3DL
 Tel: 08448 000 235
www.honeywell.com