

HHM Series

HOUSING MOUNT ADAPTERS

The new Honeywell Video Systems HHM Series line of housing mount adapters are designed to mount the HHMW13 Wall Mount for the HHC12 environmental camera housings to corners and poles. The adapters can support up to 63.5 lb and are constructed of die-cast aluminum with an epoxy powder coating making them corrosion resistant.

The HHMW13 wall mount features an integrated ball joint that allows easy positioning of the HHC12 environmental housing. The HHMW13 can be mounted to a standard pole using the HHMPMA pole mount adapter or mounted to the outside corner of a building using the HHMCMA corner mount adapter.

Market Opportunities

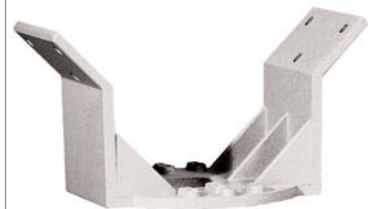
The Honeywell HHM Series of camera mount adapters are designed for mounting the HHC12 Series of environmental housing mounts to corners of buildings or freestanding poles. These adapters can be used indoors and outdoors and are suitable for a variety of applications such as parking lots, building perimeter surveillance, entranceways and driveways.

Features

- Die-cast and aluminum construction
- Epoxy powder coated for corrosion resistance
- Easy to install
- Maximum load 63.5 lb (25.0 kg)
- Contemporary design
- Low cost



HHMPMA
Pole Mount Adapter

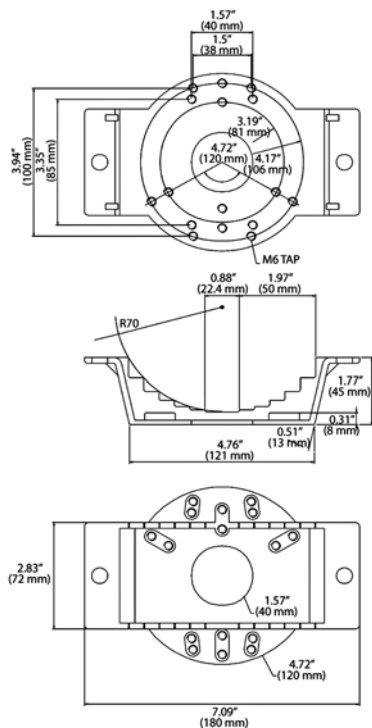


HHMCMA
Corner Mount Adapter

SPECIFICATIONS

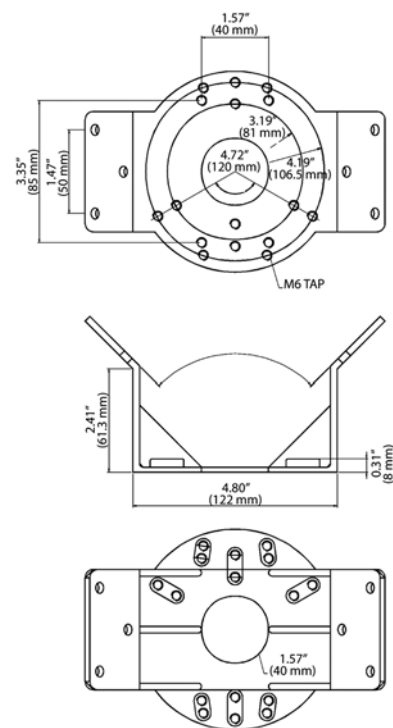
HHMPMA

Mechanical	
Enclosure Mounting	Ten (10) M16 x 15 mm hex head machine screws (supplied) Two (2) M10 x 90 mm hex head machine screws (supplied) Two (2) M10 hex nut (supplied)
Maximum Load	63.5 lb (25.0 kg)
Dimensions	See drawings
Weight	1.64 lb (0.75 kg)
General	
Construction	Die-cast and aluminum
Finish	Light gray, polyester powder coating



HHMCMA

Mechanical	
Enclosure Mounting	Ten (10) M16 x 15 mm hex head machine screws (supplied)
Maximum Load	63.5 lb (25.0 kg)
Dimensions	See drawings
Weight	0.98 lb (0.45 kg)
General	
Construction	Die-cast and aluminum
Finish	Light gray, polyester powder coat



Ordering	
HHMPMA	Pole mount adapter for the HHMW13 wall mount
HHMCMA	Corner mount adapter for the HHMW13 wall mount

NOTE: Honeywell reserves the right, without notification, to make changes in product design or specifications.

Honeywell Security

Honeywell Video Systems
2700 Blankenbaker Pkwy, Suite 150
Louisville, KY 40299
1.800.796.CCTV
www.honeywell.com

HV05289
L/HHMADP1/D
January 2006
©2006 Honeywell International Inc.