

HDTX

10X TRUE DAY/NIGHT PERFORMANCE SERIES PTZ

Our Performance Series of cameras include a variety of indoor, outdoor and low light models that let you pick the perfect camera for virtually any installation. Ideal for a diverse range of applications, the Performance Series includes a wide range of high performing IR bullet cameras and mini-domes. And now, we are pleased to announce the addition of the HDTX pan/tilt/zoom (PTZ) dome.

The HDTX Performance Series PTZ dome is adaptable and aesthetically pleasing. Due to its small form factor it remains virtually unnoticed in various indoor surveillance applications. The True Day/Night HDTX comes with a 10X optical zoom lens and 470 TVL of resolution.

It's easy to install and even easier to use. A single connection lead connects straight into the dome, saving you time on site or allowing more domes to be commissioned per day. The unit is dual powered by 12 VDC/24 VAC and low powered at 9.6 W, and it's still able to respond to surveillance requirements at 360° per second through the full pan of 360° continuous.

Market Opportunities

The HDTX is a low profile unit suited to areas where a larger dome is impractical. It's perfect for applications that may require the aesthetics of a mini-dome and full PTZ functionality making it perfect for retailers or environments where customers and visitors are monitored.

Features

- 10X True Day/Night
- 470 TVL (NTSC and PAL)
- In-ceiling and surface fitting
- Brackets available to mount to a ceiling or wall
- Up to 127 user-defined presets
- 8 swings (moving between 2 presets)
- 8 groups (mix patterns and swings)
- 4 patterns (mimic tours)



In-ceiling Mount



Surface Mount



Ceiling Mount



Wall Mount

HDTX

SPECIFICATIONS

Camera Module	
Image Sensor	1/4" Interline Transfer CCD
Lens	10X optical zoom, f=3.8 mm (wide) to 38 mm (tele), F1.8
Horizontal Resolution	470 TVL (Colour), 540 TVL (B/W) (NTSC and PAL)
Moveable IR Filter	Yes
Digital Zoom	10X (100X total zoom)
Angle of View (H)	H: 51.2° (wide) to 5.58° (tele)/V: 39.3° (wide) to 4.27° (tele)
Sync System	Internal
Minimum Illumination	0.7 Lux (Colour) / 0.02 Lux (B/W), 50 IRE
S/N Ratio	50 dB (AGC Off)
Electronic Shutter	X128 to 1/120,000 sec
White Balance	Auto/Manual
Gain	Normal/High/Off
Backlight Compensation	Low/Middle/High/Off
Focusing System	Auto/Manual/Semi-Auto
SSNR	Low/Middle/High/Off
Day & Night	Auto/Day/Night
Operational	
Angular Travel	Horizontal: 360° continuous Tilt: horizontal to 90° down
Speed (Manual Mode)	Pan: variable from 0.05° to 360°/sec. Tilt: variable from 0.05° to 360°/sec.
Speed to Preset	360°/sec
Preset Accuracy	± 0.2°
Presets Per Dome	127
Swing	8 swings
Pattern	4 patterns
Group	8 groups
Protocols Supported	Pelco D
Receiver/Driver	Digital Communication: RS485 Addressing: 8 numeric rotary switches Protocol: 3 position DIP switch
Environmental	
Temperature	Operating: 0°C to 40° Storage: -40°C to 60°C
Relative Humidity	0% to 93%, non-condensing
Regulatory	
Emissions	FCC: Part 15, Class A CE: EN55022, Class A
Immunity	CE:EN50130-4

HDTX

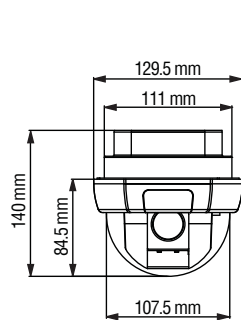
SPECIFICATIONS

In-ceiling Mount	
Electrical	
Input Voltage	12 VDC/24 VAC
Input Tolerance	11 to 18 VDC, 17 to 29 VAC
Power Consumption	9.6 W
Mechanical	
Dimensions	140 mm H x 129.5 mm Dia. 107.5 mm Dia.
Weight	0.78 kg
Construction	Housing: Polycarbonate
Mounting Method	5mm diameter mounting holes x 3
Surface Mount	
Electrical	
Input Voltage	12 VDC/24 VAC
Input Tolerance	11 to 18 VDC, 17 to 29 VAC
Power Consumption	9.6 W
Mechanical	
Dimensions	Housing: 142.5 mm H x 129.5 mm Dia. Lower Dome: 107.5 mm Dia.
Weight	0.78 kg
Construction	Housing: Polycarbonate
Mounting Method	5mm diameter mounting holes x 4
Ceiling Mount	
Electrical	
Input Voltage	12 VDC/24 VAC
Input Tolerance	11 to 18 VDC, 17 to 29 VAC
Power Consumption	9.6 W
Mechanical	
Dimensions	200.5 mm H x 129.5 mm Dia. Lower Dome: 107.5 mm Dia.
Weight	0.87 kg
Construction	Housing: Polycarbonate
Mounting Method	6mm diameter mounting holes x 3
Wall Mount	
Electrical	
Input Voltage	12 VDC/24 VAC
Input Tolerance	11 to 18 VDC, 17 to 29 VAC
Power Consumption	9.6 W
Mechanical	
Dimensions	220.5 mm H x 210.8 mm L Lower Dome: 107.5 mm Dia.
Weight	0.91 kg
Construction	Housing: Polycarbonate
Mounting Method	7mm diameter mounting holes x 4

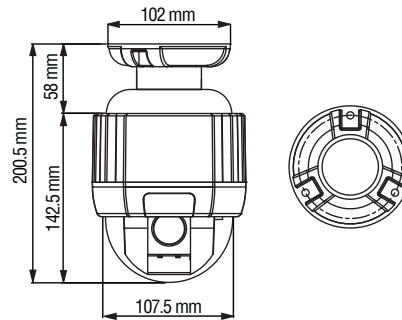
HDTX

ACCESSORIES AND ORDERING

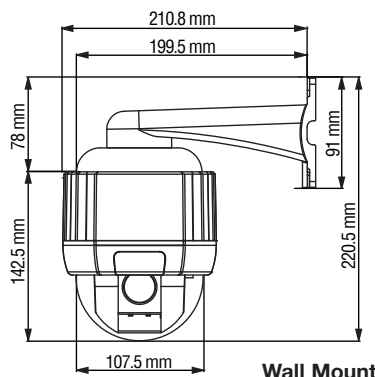
Accessories	
Brackets	
HDTW	10X TDN PTZ Dome, Indoor, Wall Mount Bracket
HDTX	10X TDN PTZ Dome, Indoor, Ceiling Mount Bracket



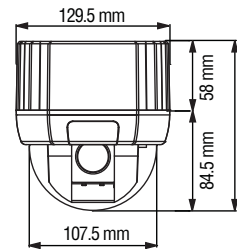
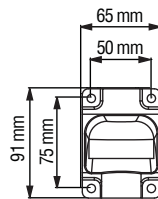
In-ceiling Mount



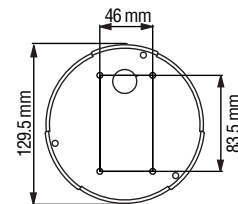
Ceiling Mount



Wall Mount



Surface Mount



Ordering	
HDTX	10X TDN PTZ Dome, Indoor, PAL, Clear

NOTE: Honeywell reserves the right, without notification, to make changes in product design or specifications.

For additional information,

please visit www.honeywell.com/security/uk

Honeywell Security Group

Aston Fields Road
 Whitehouse Industrial Estate
 Runcorn
 Cheshire
 WA7 3DL
 Tel: 08448 000 235
www.honeywell.com