

HD73X

SUPER HIGH RESOLUTION TRUE DAY/NIGHT VANDAL DOME CAMERA WITH VARI-FOCAL AUTO IRIS LENS AND INFRARED ILLUMINATORS

Our Performance camera range includes indoor, outdoor and low light cameras, high performing IR bullet cameras and mini-domes that are competitively priced, easy to install and even easier to use. These cameras offer sharper image quality so you see every detail when it counts.

The HD73X is a true day/night rugged dome camera 20 integrated LEDs that switches from colour to black and white mode. A mechanical IR cut filter within the camera switches capturing perfect colour pictures by day and clear black and white images at night. The HD73X incorporates a 1/3" CCD that offers 530 TV lines of crisp, clear horizontal resolution. The camera comes equipped with 20 integrated LEDs and a built-in 3.8-9.5 mm IR corrected aspherical Vari-focal Auto Iris lens for increased optical versatility and no focus shift when the camera switches from day to night mode. The 3-D axis gimbal allows versatile positioning and instant centering of the video image. In addition, the lens is separated from the LEDs by an IR boot mechanism which eliminates internal IR glare.

The HD73X installs quickly and easily. It comes standard with a two-conductor pigtail that connects to the barrel connector so there is no need to cut wires during installation. It also features a video out port for easy focus. The HD73X is designed for use in challenging environments. It is IP66 rated for outdoor installations, but is ideal for indoors installations as well, mounting directly to a ceiling or wall.

Market Opportunities

The HD73X is a cost effective surveillance solution for applications that experience changing light conditions throughout the day and require extra illumination at night. The HD73X offers a simple yet solid design that provides optimum performance for both indoor and outdoor applications including schools, colleges, universities, hospitals, commercial sites, industrial parks, airports, gated entrances, foyers, loading docks and driveways.

Features

- Super high resolution colour: 530 TVL - 1/3" Sony Super HAD CCD
- True Day/night with 20 LEDs
- Photocell-controlled and powered by an array of 20 high-efficiency LEDs (850 nm)
- Photocell-controlled on/off switching of infrared illumination
- Built-in 3.8-9.5 IR corrected aspherical Vari-focal Auto Iris lens
- Auto-iris lens to prevent overexposure and infrared "white out"
- User-friendly design for easy access and adjustment of camera settings
- Even distribution IR for optimal image capture
- Total effectiveness in zero lux environments
- IR LED visible range of ~20m
- Vandal-proof and weather resistant housing with IP66 rating
- 3-D axis gimbal
- Video out port for setup
- Two-conductor pigtail is standard for connection to barrel connector

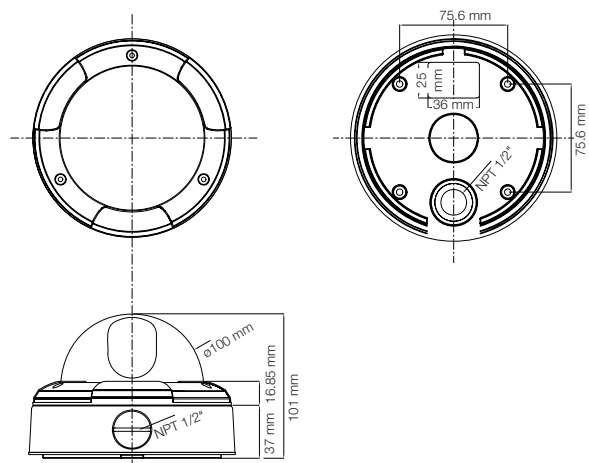


HD73X

SPECIFICATIONS

Operational	
Video Standard	PAL
Scanning System	2:1 Interlace
Image Sensor	1/3" Sony HAD CCD sensor
Number of Pixels (H x V)	795 x 596 (PAL)
Minimum Illumination	0.0 lux, operates in complete darkness
Horizontal Resolution	530 TVL
Video Output	1.0 Vp-p, composite @ 75 Ohms
Sync System	Internal
S/N Ratio	50 dB or more (AGC Off)
Auto Gain Control	On/Off
Automatic Electronic Shutter	1/50–1/100,000 second (PAL)
White Balance	Auto
IR LEDs	850 nm, 20 LEDs
IR Illumination Distance (dependent on scene reflectance)	~20m
BLC	On/Off
Gamma	0.45
Lens Type	3.8-9.5 mm VFAI
Angle of View	H: 62° - 28° V: 48° - 22°
Electrical	
Input Voltage	12 VDC
Input Range	10-14 VDC
Power Consumption	4.5 W (max) with IR LEDs on
Environmental	
Temperature	Operating: -4°F to 122°F (-20°C to 50°C) Storage: -49°F to 167°F (-45°C to 75°C)
Relative Humidity	0% to 90% non-condensing
Rating	IP66

Mechanical	
Dimensions	See Diagram
Weight	1.86 lb (0.84 kg)
Construction	Housing: Die Cast Aluminium Dome: Polycarbonate Finish: Light grey powder coating
Cable Entry	One 3/4" (19.1 mm) NPT threaded opening on side
Connector	Main Video: BNC connector Aux Video: 2-pin connector for video test cable (supplied) Power Input: 2.1 mm Plug
Regulatory	
Emissions	FCC, CE: (EN55022) Class A
Immunity	CE: EN 50130-4
Safety	EU: EN 60065
Accessories	
Power Supplies	
PSU-PER12VDC-UK	12VDC, UK Plug



Ordering	
HD73X	1/3" CCD Integrated True Day/Night Super High Resolution IR Vandal Resistant Dome Camera, 530 TVL, 20 LEDs, 3.8-9.5 mm VFAI Lens, 12 VDC PAL

NOTE: Honeywell reserves the right, without notification, to make changes in product design or specifications.

Honeywell Security & Data Collection

Honeywell Systems Group
Aston Fields Road
Whitehouse Industrial Estate
Runcorn
Cheshire
WA7 3DL
Tel: 08448 000 235
Fax: 01928 701 063
www.honeywell.com/security/uk

HVS-HD73X-UK-01(0209)DS-GCSC
February 2009
© 2009 Honeywell International Inc.

Honeywell