

HD73

SUPER HIGH RESOLUTION TRUE DAY/NIGHT VANDAL DOME CAMERA WITH VARI-FOCAL AUTO IRIS LENS AND INFRARED ILLUMINATORS

The Performance Series rounds out Honeywell's camera portfolio with a variety of indoor, outdoor and low light cameras that lets end users pick the perfect camera for virtually any installation. Perfect for a diverse range of applications, the Performance Series includes a wide range of high performing IR bullet cameras and mini-domes that are easy to install and even easier to use.

The HD73 is a true day/night rugged dome camera 20 integrated LEDs that switches from color to black and white mode. A mechanical IR cut filter within the camera switches capturing perfect color pictures by day and clear black and white images at night. The HD73 incorporates a 1/3" CCD that offers 530 TV lines of crisp, clear horizontal resolution. The camera comes equipped with 20 integrated LEDs and a built-in 3.8-9.5 mm IR corrected aspherical Vari-focal Auto Iris lens for increased optical versatility and no focus shift when the camera switches from day to night mode. The 3-D axis gimbal allows versatile positioning and instant centering of the video image. In addition, the lens is separated from the LEDs by an IR boot mechanism which eliminates internal IR glare.

The HD73 installs quickly and easily. It comes standard with a two-conductor pigtail that connects to the barrel connector so there is no need to cut wires during installation. It also features a video out port for easy focus. The HD73 is designed for use in challenging environments. It is IP66 rated for outdoor installations, but is ideal for indoors installations as well, mounting directly to a ceiling or wall.

Market Opportunities

The HD73 is a cost effective surveillance solution for applications that experience changing light conditions throughout the day and require extra illumination at night. The HD73 offers a simple yet solid design that provides optimum performance for both indoor and outdoor applications including schools, colleges, universities, hospitals, commercial sites, industrial parks, airports, gated entrances, foyers, loading docks and driveways.

Features

- Super high resolution color: 530 TVL - 1/3" Sony Super HAD CCD
- True Day/night with 20 LEDs
- Photocell-controlled and powered by an array of 20 high-efficiency LEDs (850 nm)
- Photocell-controlled on/off switching of infrared illumination
- Built-in 3.8-9.5 IR corrected aspherical Vari-focal Auto Iris lens
- Auto-iris lens to prevent overexposure and infrared "white out"
- User-friendly design for easy access and adjustment of camera settings
- Even distribution IR for optimal image capture
- Total effectiveness in zero lux environments
- IR LED visible range of ~65 ft. (20m)
- Vandal-proof and weather resistant housing with IP66 rating
- 3-D axis gimbal
- Video out port for setup
- Two-conductor pigtail is standard for connection to barrel connector



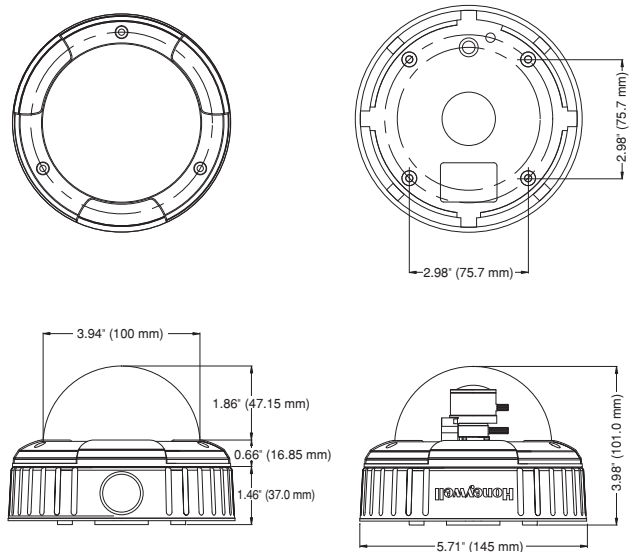
HD73

www.honeywellvideo.com

SPECIFICATIONS

Operational	
Video Standard	NTSC, PAL
Scanning System	2:1 Interlace
Image Sensor	1/3" Sony HAD CCD sensor
Number of Pixels (H x V)	811 x 508 (NTSC) 795 x 596 (PAL)
Minimum Illumination	0.0 lux, operates in complete darkness
Horizontal Resolution	530 TVL
Video Output	1.0 Vp-p, composite @ 75 Ohms
Sync System	Internal
S/N Ratio	50 dB or more (AGC Off)
Auto Gain Control	On/Off
Automatic Electronic Shutter	1/60–1/100,000 second (NTSC) 1/50–1/100,000 second (PAL)
White Balance	Auto
IR LEDs	850 nm, 20 LEDs
IR Illumination Distance (dependent on scene reflectance)	~65 ft. (20m)
BLC	On/Off
Gamma	0.45
Lens Type	3.8-9.5 mm VFAI
Angle of View	H: 62° - 28° V: 48° - 22°
Electrical	
Input Voltage	12 VDC
Input Range	10-14 VDC
Power Consumption	4.5 W (max) with IR LEDs on
Mechanical	
Dimensions	See Diagram
Weight	1.86 lb (0.84 kg)
Construction	Housing: Die Cast Aluminum Dome: Polycarbonate Finish: Light gray powder coating
Cable Entry	One 3/4" (19.1 mm) NPT threaded opening on side
Connector	Main Video: BNC connector Aux Video: 2-pin connector for video test cable (supplied) Power Input: 2.1 mm Plug

Environmental	
Temperature	Operating: -4°F to 122°F (-20°C to 50°C) Storage: -49°F to 167°F (-45°C to 75°C)
Relative Humidity	0% to 90% non-condensing
Rating	IP66
Regulatory	
Emissions	FCC, CE: (EN55022) Class A
Immunity	CE: EN 50130-4
Safety	EU: EN 60065
Accessories	
Power Supplies	
HPT12DC500	12 VAC/500 mA Plug-in Regulated 2.1 mm Coaxial Plug UL Listed/CSA Certified



Ordering	
HD73	1/3" CCD Integrated True Day/Night Super High Resolution IR Vandal Resistant Dome Camera, 530 TVL, 20 LEDs, 3.8-9.5 mm VFAI Lens, 12 VDC NTSC
HD73X	1/3" CCD Integrated True Day/Night Super High Resolution IR Vandal Resistant Dome Camera, 530 TVL, 20 LEDs, 3.8-9.5 mm VFAI Lens, 12 VDC PAL

Honeywell Security & Data Collection

Honeywell
2700 Blankenbaker Pkwy, Suite 150
Louisville, KY 40299
1.800.796.CCTV (2288)
www.honeywell.com

L/HD73D/D
February 2009
© 2009 Honeywell International Inc.

Honeywell