

## HD51X

### SUPER HIGH RESOLUTION VANDAL DOME CAMERA WITH VARI-FOCAL AUTO IRIS LENS

Our Performance camera range includes indoor, outdoor and low light cameras, high performing IR bullet cameras and mini-domes that are competitively priced, easy to install and even easier to use. These cameras offer sharper image quality so you see every detail when it counts.

The HD51X is a rugged dome camera incorporating a 1/3" CCD that offers 550 TV lines of crisp, clear horizontal resolution. The camera comes equipped with a built-in 4-9 mm Vari-focal Auto Iris lens for increased optical versatility. The 3-D axis gimbal allows versatile positioning and instant centering of the video image.

The HD51X installs quickly and easily. It comes standard with a two-conductor pigtail that connects to the barrel connector so there is no need to cut wires during installation. It also features a video out port for easy focus. The HD51X is designed for use in challenging environments. It is IP66 rated for outdoor installations, but can also be installed indoors, mounted directly to a ceiling or wall.

#### Market Opportunities

The HD51X is a cost effective surveillance solution for applications that experience changing light conditions throughout the day. The HD51X offers a simple yet solid design that provides optimum performance for both indoor and outdoor applications including schools, colleges, universities, hospitals, commercial sites, industrial parks, airports, gated entrances, foyers, loading docks and driveways.

#### Features

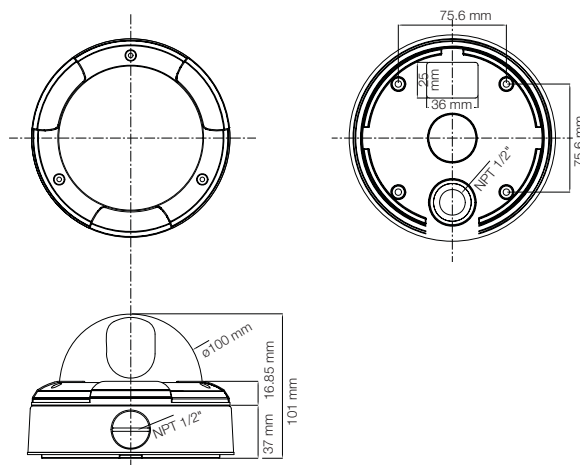
- Super high resolution colour: 550 TVL - 1/3 Sony Super HAD CCD
- Built-in 4-9 Vari-focal Auto Iris lens
- User-friendly design for easy access and adjustment of camera settings
- Vandal-proof and weather resistant housing with IP66 rating
- 3-D axis gimbal
- AGC, BLC, flickerless (On/Off)
- Auto White Balance
- Video out port for setup
- Two-conductor pigtail is standard for connection to barrel connector
- 12 VDC Input



# HD51X

## SPECIFICATIONS

Operational		Mechanical	
Video Standard	PAL	Dimensions	See Diagram
Scanning System	2:1 Interlace	Weight	1.86 lb (0.84 kg)
Image Sensor	1/3" Sony HAD CCD sensor	Construction	Housing: Die Cast Aluminium Dome: Polycarbonate Finish: Light grey powder coating
Number of Pixels (H x V)	795 x 596 (PAL)	Cable Entry	One 3/4" (19.1 mm) NPT threaded opening on side
Minimum Illumination	0.3 lux	Connector	Main Video: BNC connector Aux Video: 2-pin connector for video test cable (supplied) Power Input: 2.1 mm Plug
Horizontal Resolution	550 TVL	<b>Regulatory</b>	
Video Output	1.0 Vp-p, composite @ 75 Ohms	Emissions	FCC, CE: (EN55022) Class A
Sync System	Internal	Immunity	CE: EN 50130-4
S/N Ratio	48 dB or more (AGC Off)	Safety	EU: EN 60065
Auto Gain Control	On/Off	<b>Accessories</b>	
Automatic Electronic Shutter	1/50–1/100,000 second (PAL)	<b>Power Supplies</b>	
White Balance	Auto	PSU-PER12VDC-UK	12VDC, UK Plug
BLC	On/Off		
Gamma	0.45		
Lens Type	4-9 mm VFAI		
Angle of View	H: 62° - 28° V: 48° - 23°		
Electrical			
Input Voltage	12 VDC		
Input Range	10-14 VDC		
Power Consumption	3 W (max)		
Environmental			
Temperature	Operating: -4°F to 122°F (-20°C to 50°C) Storage: -49°F to 167°F (-45°C to 75°C)		
Relative Humidity	0% to 90% non-condensing		
Rating	IP66		



Ordering	
HD51X	1/3" CCD Super High Resolution Vandal Resistant Dome Camera, 550 TVL, 4-9 mm VFAI Lens, 12 VDC PAL

**NOTE:** Honeywell reserves the right, without notification, to make changes in product design or specifications.

### Honeywell Security & Data Collection

Honeywell Systems Group  
Aston Fields Road  
Whitehouse Industrial Estate  
Runcorn  
Cheshire  
WA7 3DL  
Tel: 08448 000 235  
Fax: 01928 701 063  
[www.honeywell.com/security/uk](http://www.honeywell.com/security/uk)

HVS-HD51X-UK-01(0209)DS-GCSC  
February 2009  
© 2009 Honeywell International Inc.

# Honeywell