

## HD40X

### STANDARD RESOLUTION FIXED LENS INDOOR MINI-DOME CAMERA

Our Performance camera range includes indoor, outdoor and low light cameras, high performing IR bullet cameras and mini-domes that are competitively priced, easy to install and even easier to use. These cameras offer sharper image quality so you see every detail when it counts.

The HD40X is an indoor dome providing a versatile, cost-effective, integrated surveillance solution. A high-quality 1/3" Sony CCD sensor and a precision lens are all packaged within this sleek, compact housing. The integrated housing protects the camera from dust and dirt. The visually appealing low profile design blends with its surroundings, making the HD40X the obvious choice for architecturally sensitive installations. The HD40X incorporates a 1/3" CCD that offers 380 TV lines of crisp, clear horizontal resolution. The cameras come equipped with a built-in fixed lens (f=3.8 mm) and a 3-D axis gimbal that is capable of 360° of pan, 180° of tilt and 360° of horizontal rotation.

The HD40X installs quickly and easily. It comes standard with a two-conductor pigtail that connects to the barrel connector so there is no need to cut wires during installation. The HD40X is designed for use in challenging environments, easy to install and offer the flexibility of mounting on a wall or ceiling.

### Market Opportunities

The HD40X is a cost effective surveillance solution for applications that experience changing light conditions throughout the day. The HD40X offers a simple yet solid design that provides optimum performance indoor applications including lobbies, commercial, residential, foyers, hotel lobbies – anywhere surveillance must be discreet.

### Features

- Standard resolution colour: 380 TVL - 1/3" Sony Super HAD CCD
- Built-in fixed lens (f=3.8 mm)
- ABS housing and Acrylic dome
- Surface mount enclosure, ceiling or wall
- Auto White Balance
- 3-D axis gimbal
- Two-conductor pigtail is standard for connection to barrel connector
- 12 VDC Input

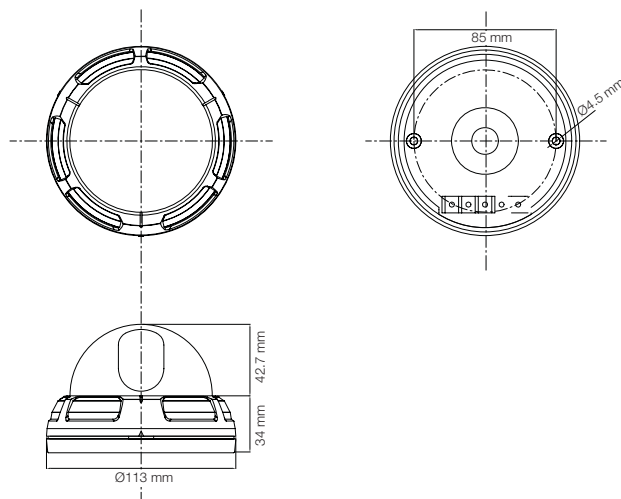


# HD40X

## SPECIFICATIONS

Operational	
Video Standard	PAL
Scanning System	2:1 Interlace
Image Sensor	1/3" Sony HAD CCD sensor
Number of Pixels (H x V)	537 x 597 (PAL)
Minimum Illumination	0.1 lux
Horizontal Resolution	380 TVL
Video Output	1.0 Vp-p, composite @ 75 Ohms
Sync System	Internal
S/N Ratio	50 dB or more (AGC Off)
Auto Gain Control	On/Off
Automatic Electronic Shutter	1/50–1/100,000 second (PAL)
White Balance	Auto
BLC	On/Off
Gamma	0.45
Lens Type	Built-in fixed (f=3.8 mm)
Angle of View	H: 68° V: 50°
Electrical	
Input Voltage	12 VDC
Input Range	10-14 VDC
Power Consumption	2 W (max)
Mechanical	
Dimensions	See Diagram
Weight	0.5 lb (0.210 kg)
Construction	Housing: ABS Dome: Acrylic Finish: Light grey
Connector	Main Video: BNC connector Power Input: 2.1 mm Plug

Environmental	
Temperature	Operating: 14°F to 122°F (-10°C to 50°C) Storage: -4°F to 140°F (-20°C to 60°C)
Relative Humidity	0% to 90% non-condensing
Regulatory	
Emissions	FCC, CE: (EN55022) Class A
Immunity	CE: EN 50130-4
Safety	EU: EN 60065
Accessories	
Power Supplies	
PSU-PER12VDC-UK	12VDC, UK Plug



Ordering	
HD40X	1/3" CCD Standard Resolution Indoor Dome Camera, 380 TVL, Fixed 3.8 mm, 12 VDC PAL

**NOTE:** Honeywell reserves the right, without notification, to make changes in product design or specifications.

### Honeywell Security & Data Collection

Honeywell Systems Group  
Aston Fields Road  
Whitehouse Industrial Estate  
Runcorn  
Cheshire  
WA7 3DL  
Tel: 08448 000 235  
Fax: 01928 701 063  
[www.honeywell.com/security/uk](http://www.honeywell.com/security/uk)

HVS-HD40X-UK-01(0209)DS-GCSC  
February 2009  
© 2009 Honeywell International Inc.

# Honeywell