

HCU484X

Honeywell



IDEAL FOR HIGH-CONTRAST ENVIRONMENTS

**Ultra Wide Dynamic Camera**

# HCU484X Ultra Wide Dynamic Camera

## Wide dynamic camera ideal for high-contrast environments

Honeywell is pleased to introduce the new HCU484X – an effective surveillance solution for applications such as ATM machines, loading bays, lobbies and scenes with intense glare from spotlights or car headlights. This camera gives

customers an ultra wide dynamic solution that produces sharp, colour saturated images even in extreme back-lit conditions. The day/night mode combined with the digital slow shutter offers excellent night time performance while

maintaining the wide dynamic capabilities of the imager. It's perfect in areas where extreme backlighting or low light has traditionally made detailed images difficult to capture.

## Features

- Numerous wide dynamic presets:
  - ATM
  - Gaming
  - Lobby
  - License plate
  - Loading dock
  - Custom
  - Indoor/outdoor
- Viewing menu controls image sharpness, resolution, colour saturation and brightness
- 102 - 120 dB of dynamic range
- High resolution colour: 480 TVL
- Low-light sensitivity down to 0.4 lux
- RS485 remote control of on-screen display menus
- Three-year warranty

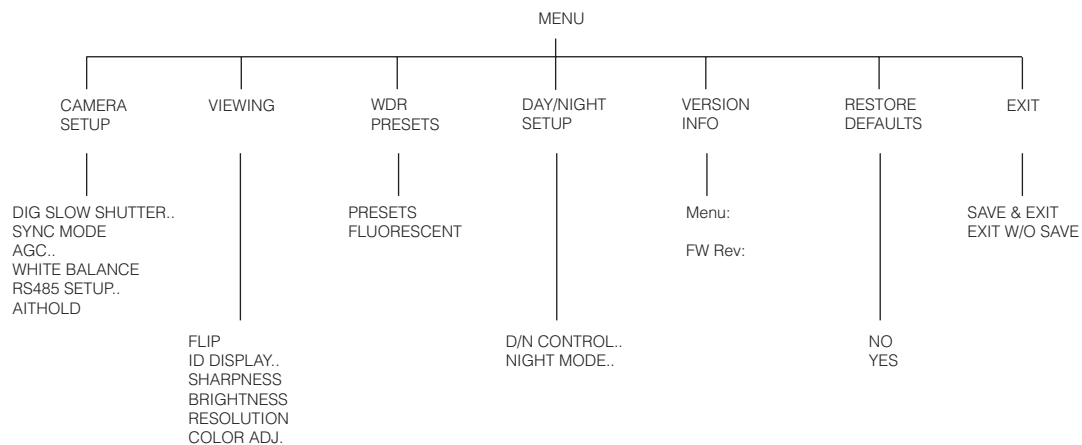


## Benefits

- Superior image sharpness and colour saturation in high contrast applications
- Provides excellent image detail in light and dark areas of a high contrast scene
- Captures clear video in colour or black and white
- Quick and easy installation
- Trouble-free set up

## Easy set up and maintenance

The HCU484X can be quickly set up and configured using the built-in OSD menu. This is used to select the wide dynamic presets and set up the dynamic range, the RS485, day night set up, the white balance, camera ID, AGC, line lock phase, digital slow shutter, DC lens drive level and shutter speed. The main menu functions are shown in the figure below:



The HCU484X also offers convenient remote control of the on-screen menus via compatible DVRs and keyboards with Diamond control protocol, facilitating set up and camera maintenance.

## Dynamic range capabilities

The new HCU484X wide dynamic camera incorporates the second generation of Digital Pixel System® (DPS) imaging technology from Pixim Inc. that is designed to render a proper exposure in high contrast scenes. This technology uses a similar principle to the way the human vision system works.

While conventional cameras record every pixel in a frame with the same exposure time, the HCU484X records each of the 388,800 pixels at its own optimum exposure time. Images are converted from analogue to a digital format within

each pixel, immediately after the image is captured. This results in correct colour rendering and capturing details in all

### Every Pixel Is A Camera



applications without the presence of blooming or smearing, in both moving and still pictures.

Even in high contrast lighting conditions, the HCU484X delivers higher quality images, significantly better dynamic range (120 dB max), and higher frame rates than conventional CCD cameras.

There are seven application-specific wide dynamic presets organised into three groups: Centre-weighted scene, full scene, and full scene with spot glare, as shown in the table below:

WDR Preset	Area of interest	Dynamic range	Exposure optimised for:
Indoor	Full scene	Wide	Highlights
Outdoor		Ultrawide	Highlights
ATM	Centre scene	Ultrawide	Shadows
Lobby		Wide	Shadows
Loading Dock			Highlights
Gaming	Full scene-spot glare	Medium	Highlights
License Plate			Shadows



## High Resolution Camera

Person outside of door is not exposed properly



## Ultra Wide Dynamic Camera

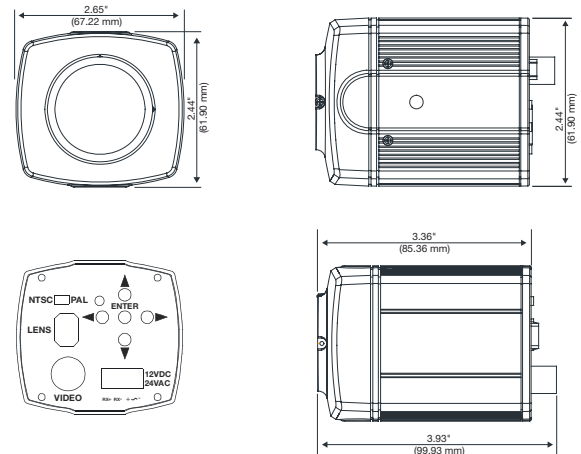
Person outside of door is exposed properly

## Specifications and Ordering

Operational	
Video Standard	PAL
Scanning System	625/50 lines (PAL)
Image Sensor	1/3" WDR digital image device
Number of Pixels (H x V)	720 x 540
Minimum Illumination	0.4 lux @ F1.2
Horizontal Resolution	>480 TVL
Video Output	1 V p-p @ 75 Ohms
Sync System	12 VDC: Internal 24 VAC: Line lock
S/N Ratio	52 dB typical
Auto Gain Control	Auto (0 – 36 dB maximum)
ALC	Variable Iris control for DC Drive Lenses
Automatic Electronic Shutter	1/60 - 1/100,000 sec
Lens Iris Control	DC Drive
White Balance	AWB/ATW/ATW Xtn/Manual
Dynamic Range	102 dB typical/120 dB max.
Line Lock Phase Adjustment	Adjustable AC line lock
BLC	Variable depending on WDR Preset
OSD	Camera title setting/menu control
Remote Control	RS485 Diamond protocol
Electrical	
Input Voltage	12 VDC/24 VAC
Input Range	11 - 16 VDC, 17 - 28 VAC
Surge Suppression	1.5 kW transient
Power Consumption	2.5 W
Mechanical	
Dimensions (W x H x D)	67.22 mm x 61.90 mm x 99.93 mm
Weight	0.5 kg camera only
Construction	Housing: Aluminium Finish: Cool Grey Powder Coat
Camera Mount	1/4 – 20 UNC
Lens Mount	CS adjusting mounting ring
Connector	Video Output: BNC connector Lens: 4 Pin Connector Power Input: Removable screw terminal block
LED	Green LED indicates Power On

Environmental	
Temperature	Operating: 14°F to 113°F (-10°C to 45°C) Storage: -4°F to 140°F (-20°C to 60°C)
Relative Humidity	20% to 80%, non-condensing
Regulatory	
Emissions	FCC, CE (EN55013)
Immunity	CE (EN50130-4)
Safety	EU: 73/23/EEC LVD
Accessories:	
Recommended Lens Options	
HLD28V8F95L	2.8 – 8 mm, F0.95, DC Auto Iris lens
HLD27V13DNL	2.7 – 13.5 mm, F1.3, DC Auto Iris lens, IR corrected
HLD5V50F13L	5.0 – 50 mm, F1.3, DC Auto Iris lens
Housing and Mounts	
AVH530SH4	Housing - 12-24V, Aluminium, no shield
AVH530SH5	Housing - 110-240VAC, Aluminium, sunshield
AVH500WMB	Wall bracket - standard
AVH500CMB	Wall bracket - cable management
Power Supplies	
HPTV2401D	240V/24VAC 1A Output for internal use
HPTV2408-1D	230V/24VAC 8 individually fused 1A outputs for internal use

## Dimensions



Ordering	
HCU484X	1/3" High Resolution Ultra Wide Dynamic Camera, RS485, 480 TVL, 0.4 lux, 12 VDC/24 VAC, PAL

**NOTE:** Honeywell reserves the right, without notification, to make changes in product design or specifications. Digital Pixel System (DPS) is a registered trademark of Pixim, Inc.

## Honeywell Security

Honeywell Video Systems  
Aston Fields Road  
Whitehouse Industrial Estate  
Runcorn  
Cheshire WA7 3DL  
Tel: 08448 000 235  
Fax: +44 (0) 1928 701063  
[www.honeywell.com/security/uk](http://www.honeywell.com/security/uk)

HVS-HCU484X-01-UK(0807)SB-COE  
August 2007  
© 2007 Honeywell International Inc.

# Honeywell