

## HCM585LX

### HIGH RESOLUTION BLACK AND WHITE CAMERA

Honeywell's HCM585LX black and white camera is ideal for surveillance applications with limited light conditions. Designed for maximum value, the HCM585LX saves you time and money with its easy installation and reliable performance. This camera's off-the-shelf feature sets are developed for sharp picture quality, and they require little to no adjustment once installed.

The HCM585LX supports direct-drive and drive-style Auto Iris lenses to ensure video quality in changing light conditions. Regardless of lens type, attachment is simple with a built-in C/CS mounting ring and four-pin Auto Iris connector standard. A 2-pin appliance coupler and matching cord set provide reliable power connection, saving installation and maintenance time.

The HCM585LX includes an automatic electronic shutter for light level changes and an automatic backlight compensation option for viewing objects in the foreground with bright light in the background. The HCM585LX produces 580 TV lines of resolution down to 0.07 lux.

#### Market Opportunities

The Honeywell HCM585LX is designed for general cost effective high resolution surveillance applications where object identification and recognition are required in low light applications. This includes general indoor and outdoor surveillance applications in retail, educational, financial, and other commercial markets. For extremely dark applications the HCM585LX can take advantage of external infrared illumination to further improve low light sensitivity.

#### Features

- 1/3" CCD with DSP
- 580 TV lines of resolution
- Low-light performance 0.07 lux (F1.2)
- Automatic Backlight Compensation (BLC)
- Automatic Electronic Shutter (AES)
- 230 VAC with line lock
- C/CS lens mount
- DC, Video and Manual Iris lens support

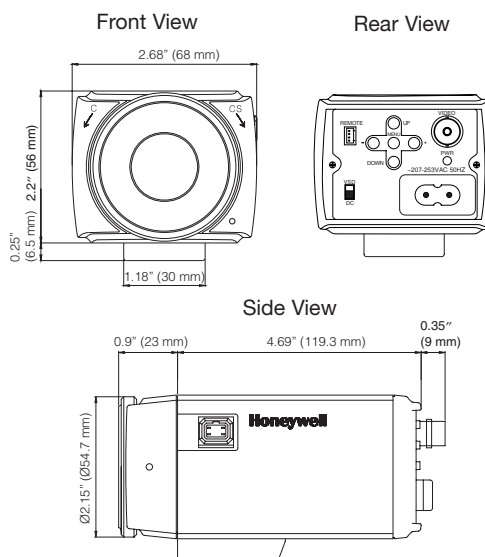


# HCM585LX

## SPECIFICATIONS

Operational	
Video Standard	CCIR
Scanning System	625/50 lines
Image Sensor	1/3" Interline Transfer CCD
Number of Pixels (H x V)	752 x 582
Minimum Illumination	0.07 lux @ F1.2
Horizontal Resolution	580 TVL (CCIR)
Video Output	1.0 Vp-p @ 75 Ohms
Sync System	230 VAC: Line lock
S/N Ratio	>50 dB
Auto Gain Control	On/Off
ALC	Variable Iris control for DC drive lenses
Automatic Electronic Shutter	1/50 – 1/100,000 sec (CCIR)
Lens Iris Control	DC drive/Video drive
Line Lock Phase Adjust	Adjustable AC Line lock
BLC	On/Off
Electrical	
Input Voltage	230 VAC
Input Range	207 - 253 VAC
Surge Suppression	1.5 kW transient
Power Consumption	3.2 W
Mechanical	
Dimensions (W x H x D)	68 mm x 56 mm x 140 mm
Weight	0.38 kg camera only
Construction	Housing: Aluminium Finish: Cool grey powder coat
Camera Mount	1/4 – 20 UNC mounting shoe
Lens Mount	C/CS adjustable mounting ring
Connector	Video Output: BNC connector Lens: 4-pin connector Power Input: 2-pin appliance coupler
Power Indicator	Green LED indicates Power On
Environmental	
Temperature	Operating: -10°C to 50°C Storage: -20°C to 70°C
Relative Humidity	20% to 80%, non-condensing

Regulatory	
Emissions	CE (EN55013)
Immunity	CE (EN50130-4)
Safety	EU: 73/23/EEC LVD
Accessories:	
Recommended Lens Options	
HLD28V8F95L	2.8 – 8 mm, F0.95, DC Auto Iris lens
HLD27V13DNL	2.7 – 13.5 mm, F1.3, DC Auto Iris lens
HLD5V50F13L	5.0 – 50 mm, F1.3, DC Auto Iris lens
Housing and Mounts	
AVH530SH5	Housing - 110-240VAC, Aluminium, sunshield
AVH500WMB	Wall bracket - standard
AVH500CMB	Wall bracket - cable management



Ordering	
HCM585LX	1/3" High Resolution B/W Camera with DSP, 580 TVL, 230 VAC, CCIR

**NOTE:** Honeywell reserves the right, without notification, to make changes in product design or specifications.

### Honeywell Security

Honeywell Video Systems  
Aston Fields Road  
Whitehouse Industrial Estate  
Runcorn  
Cheshire WA7 3DL  
Tel: 08448 000 235  
Fax: +44 (0) 1928 701063  
Email: sales.video.uk@honeywell.com  
www.honeywell.com/security/uk

HVS-HCM585LX-01-EN(0807)DS-COE  
August 2007  
© 2007 Honeywell International Inc.