

HCD92534X

Honeywell



HIGH RESOLUTION VIDEO IN LOCATIONS
HAMPERED BY LOW LIGHT

True Day/Night Infrared Bullet Camera

HCD92534X - IR Bullet Camera

High resolution video for indoor and outdoor surveillance

Our new HCD92534X True Day/Night IR bullet camera is the first of its kind to incorporate a powerful combination of infrared LEDs, True Day/Night functionality, 530 TVL, Digital Noise Reduction and Digital Slow Shutter. It provides high quality video in any location where surveillance may be hampered by low light and sets itself apart from other cameras by offering external controls to focus, zoom and manage the On Screen Display (OSD) menu. Even when you can't see what's happening, this camera can!

The HCD92534X IR bullet-style camera comes standard with IR illumination. When the ambient light drops below a user-defined threshold, the IR LEDs turn on, a mechanical IR cut filter within the camera switches, and the camera changes from colour to black and white. Perfect colour images are captured by day and clear black and white images at night.

The 2.8-10 mm F1.3 IR corrected aspherical Vari-focal Auto Iris lens offers a wide field of view range and no focus shift

when the camera switches from day to night mode. Digital Noise Reduction (DNR) removes noise artifacts, improving the performance of motion detection and typically giving end users the ability to record for longer periods using their existing DVR unit. Digital Slow Shutter (DSS) technology improves the light sensitivity of the camera and extends its usable range.

Easy installation

Indoors or out, the HCD92534X is easy to install and set up. The screw-tightened mounting bracket makes it difficult to knock the camera out of place. Simply adjust the camera position, then lock it down with the hexagonal bolts. The HCD92534X has concealed wiring so the wires cannot be cut or the camera disconnected or tampered with.

All installation adjustments for the camera can be accomplished without opening the bezel or camera housing. The two externally accessible screw gears at the front bottom of the housing adjust the zoom and focus of the 2.8-10mm lens. The access porthole in the middle allows access to the joystick control of the OSD menu as well as the DIP switches for setting the Day/Night threshold, the second video out and the IR LED light level.



HCD92534X - IR Bullet Camera

Features

- Discreet, bullet-style camera with switchable IR cut filter and 49 IR LEDs
- Privacy Image Masking - Four programmable zones
- 2.8 – 10 mm, F1.3 Vari-focal Auto Iris IR corrected lens with external adjustments for zoom and focus
- High Resolution colour: 530 TVL - 1/3" Sony Super HAD CCD
- Digital Noise Reduction technology for noise free images
- On Screen Display menu for quick set up of camera
- One power connection self-configures to 12 VDC or 24 VAC with transient surge protection
- Multiple white balance settings preserve colour fidelity even under changing colour and light
- Four position day/night threshold settings to accommodate the switching on of the IR LEDs under different ambient lighting conditions
- External access to the On Screen Display menu, zoom and focus reduces installation time and simplifies the installation process
- Four DIP switches allow the camera to be configured to switch the IR filter at higher or lower light levels, depending on ambient light



Market opportunities

The HCD92534X is designed for cost effective indoor and outdoor applications where object detection and recognition is essential. Whether the surroundings are in extreme low light or complete darkness, this camera is perfect for indoor and outdoor applications including lobbies, atriums, vestibules, gated entrances, foyers, loading bays and driveways in:

- Educational facilities
- Residential applications
- Commercial markets
- Retail sites

Benefits

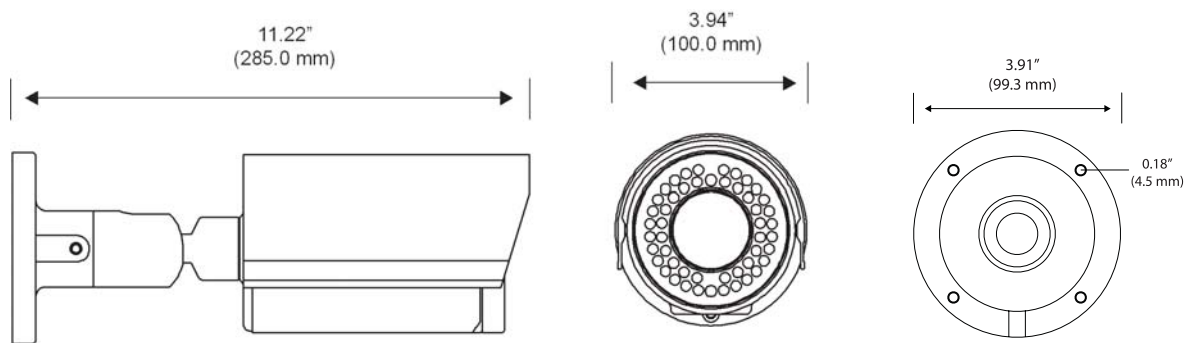
- External access to the OSD menu, zoom and focus reduces installation time and simplifies the installation process
- Reduced video noise of low light images improves DVR storage time
- Increased low light performance achieved using IR illumination
- Proper colour fidelity is preserved even under changing colour temperatures and lighting conditions
- Motion alerts and the ability to mask areas of the scene meet privacy requirements.

HCD92534X - IR Bullet Camera

Specifications and Ordering

Video	
Video Standard	PAL
Scanning System	625/50 lines
Image Sensor	1/3" Sony Interline CCD sensor
Number of Pixels (H x V)	752 x 582
Minimum Illumination	0 lux, operates in complete darkness
Horizontal Resolution	>530 TVL
Video Output	1.0 Vp-p @ 75 Ohms
Sync System	12 VDC: Internal 24 VAC: (Internal or Line lock)
S/N Ratio	50 dB or more (AGC off)
Auto Gain Control	Off/On, selectable
ALC	Adjustable level control
Automatic Electronic Shutter	1/50-1/100,000 sec
Lens Type	2.8 - 10.0 mm Vari-focal Auto Iris, IR corrected F1.3
Horizontal Field of View	99°-27°
White Balance	ATW/AWC/Manual
Line Lock Phase Adjustment	+/- 180 ° adjustable line lock vertical phase
BLC	Off/On, selectable
Gamma	0.45
IR LEDs	850 nm, 49 LEDs
IR Illumination Distance	75 ft (24 m) - 100 ft (30 m), depending on scene reflectivity
DNR	High/Medium/Low
DSS	2X-128X

Electrical	
Input Voltage	12 VDC/24 VAC
Input Range	11-16 VDC, 17-28 VAC
Surge Suppression	1.5 kW transient
Power Consumption	15 W (max) with IR LEDs on
Mechanical	
Dimensions	See Diagram
Weight	1.27 kg
Construction	Housing: Brushed and anodised aluminium with sunshield Finish: Brushed and anodised aluminium
Mounting Plate	Connection to 4S junction box
Connector	Main Video Output: BNC connector Aux Video Output: 2-pin connector for video test cable Power Input: Tinned leads
Environmental	
Temperature	Operating: -25°C to 50°C Storage: -35°C to 60°C
Relative Humidity	0% to 85%, non-condensing
Rating	IP66
Regulatory	
Emissions	FCC: Part 15, Class B CE: EN 55013
Immunity	CE: EN50130-4
Safety	EU: 73/23/EEC LVD
Accessories	
Power Supplies	
HPTV2401D	240V/24VAC 1A Output for internal use
HPTV2408-1D	230V/24VAC 8 individually fused 1A outputs for internal use



Ordering	
HCD92534X	1/3" CCD IR Bullet Camera, TDN, 530 TVL, 2.8-10 mm, 49 IR LED, PAL

NOTE: Honeywell reserves the right, without notification, to make changes in product design or specifications.

Honeywell Security

Honeywell Video Systems
Aston Fields Road
Whitehouse Industrial Estate
Runcorn
Cheshire WA7 3DL
Tel: 08448 000 235
Fax: +44 (0) 1928 701063
www.honeywell.com/security/uk

HVS-HCD92534X-01-UK(0807)DS-COE
August 2007
© 2007 Honeywell International Inc.

Honeywell