

HCD5WIHX

EQUIP® SERIES WIDE DYNAMIC 720P TRUE DAY/NIGHT NETWORK BOX CAMERA

Honeywell's latest addition to the EQUIP® Series of IP-based products, the HCD5WIHX is a high definition Wide Dynamic, True Day/Night network camera that offers the latest in digital video surveillance. The HCD5WIHX provides 720p resolution at full frame rate. Progressive scan technology and 2D edge enhancement provide outstanding clarity and definition. Digital Noise Reduction results in significant storage savings without sacrificing image quality in low light. The 1/3 progressive scan CMOS sensor offers the latest in digital video surveillance technology with accurate colour rendition through a wide variety of lighting conditions. The HCD5WIHX supports the PSIA specification for interoperability between network video products.

The HCD5WIHX true day/night camera adapts to varying lighting conditions to ensure the highest picture quality even in extreme low light conditions. When the light level drops too low for accurate video identification in colour, the camera moves the IR cut filter out of the optical path and then switches to black and white video to capture more detail using the increased sensitivity of the CMOS sensor to IR light. In high contrast lighting conditions, the HCD5WIHX delivers higher quality images and significantly better dynamic range (>100 dB) than conventional IP cameras. Designed for environments with difficult lighting, the HCD5WIHX camera offers a unique solution to capture the whole picture regardless of lighting condition or application.

Setup is quick and easy and can be customised through a web client or from an NVR. The web client also allows fine tuning of the camera and auto iris levels. This can also be performed from most DVR/NVR setup utilities.

The HCD5WIHX supports dual video streams and multiple compression formats with rates up to 30 frames per second (25 fps for PAL systems). The digital compression parameters for the two video streams are independently configurable. The HCD5WIHX features analogue video out for aiming and focusing.

The HCD5WIHX has built-in Power over Ethernet (IEEE 802.3af), which allows power to be supplied to the camera using standard network cabling, eliminating the need for a separate power supply and associated wiring. In retrofit situations where PoE is not available, the unit can also be powered directly from 24 V AC.

Market Opportunities

The HCD5WIHX is a network surveillance solution designed for object recognition that is required in locations where variable and low light conditions exist. This provides optimum performance for both indoor and outdoor applications.

Features

- Outstanding image quality, 720p (1280 × 720) resolution
- 30 fps (25 fps PAL) progressive scan
- H.264 and MJPEG compression
- PSIA support
- Camera tamper detection
- Dynamic Range: 115dB
- Supports both dynamic and static IP addresses
- Variable day/night threshold setting to accommodate switching to black and white images in low light
- Dual digital video streams simultaneously, independently configurable
- Remote firmware update
- Includes advanced IP locator software to make system setup easy
- Web server for remote setup of camera video and network parameters
- Choice of 24 V AC or PoE IEEE 802.3af power inputs
- Multiple levels of password protected remote access prevents unauthorised users from altering system settings
- Supports bidirectional audio

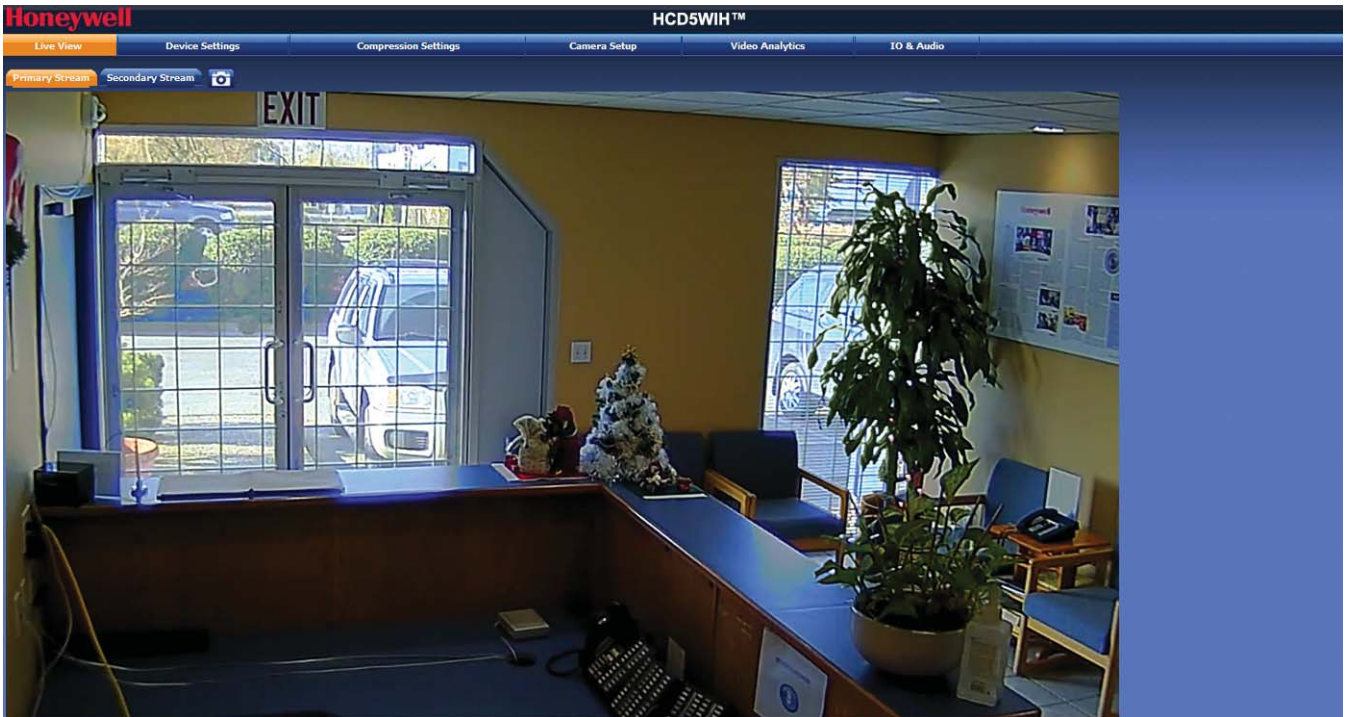


(Lens sold separately)

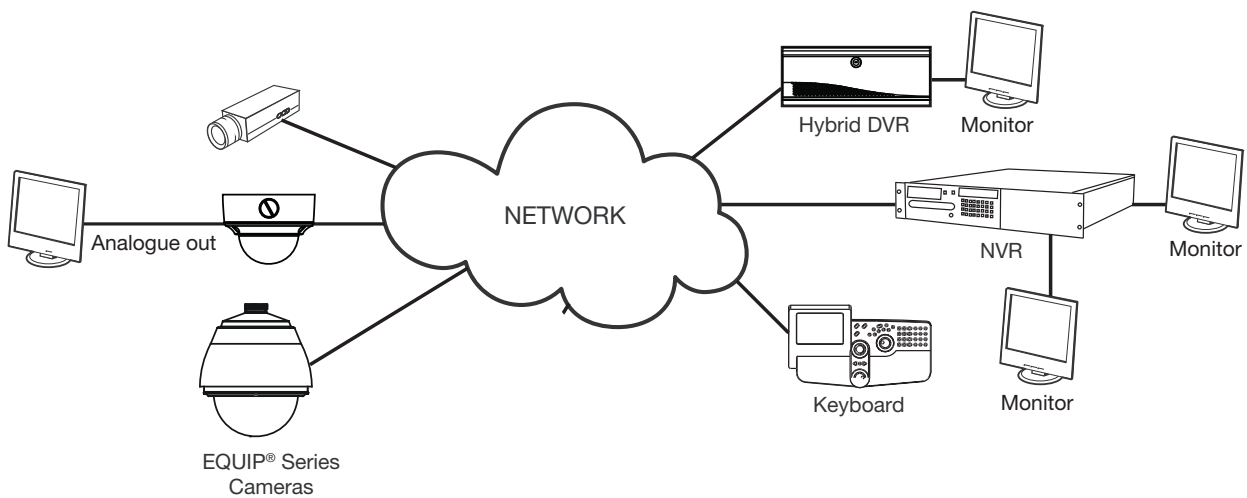
HCD5WIHX

SPECIFICATIONS

Like all cameras in the EQUIP IP Series, the HCD5WIHX network camera uses Honeywell technology for camera video motion detection, tamper detection, remote firmware updating and for secure storage of all camera settings. Video motion detection recognises object motion within the field of view, then a simple on-screen notification alerts the user. Camera tamper detection notifies the user when a camera's field of view is altered, blinded or blurred. This ensures the video's integrity and alerts the customer to either a live event or a system problem that is causing disruption to the video stream. Honeywell's technology also allows users to remotely upload firmware to the camera. The built-in web server provides password-protected access to the camera's video and network setup.



SYSTEM DIAGRAM



HCD5WIHX

SPECIFICATIONS

Operational	
Video Standard	PAL
Scanning System	Progressive scan
Image Sensor	1/3 CMOS
Number of Pixels (H x V)	1280 x 720
Minimum Illumination	0.1 lux colour/0.07 lux BW @ 50 IRE, F1.2
Automatic Lens Control	DC Iris Level 1-25
Video Output (AUX)	1.0 V p-p @ 75 ohms
Dynamic Range	115 dB
S/N Ratio	50 dB or more (AGC off)
Auto Gain Control	Off/On, selectable (20-40 dB)
Automatic Electronic Shutter	1/30-1/87,000 sec (NTSC and PAL)
White Balance	Auto, Manual, WBC Push
Audio/Two-Way	Line in/out
Electrical	
Input Voltage	24 V AC, PoE IEEE 802.3af
Input Range	17-28 VAC
Surge Suppression	1.5 kW transient
Power Consumption	5.0 W (max) 24 V AC PoE: PD Type 1 Class 2
Mechanical	
Dimensions (W x H x D)	See Diagram
Weight	0.5 kg camera only
Construction	Housing: Aluminium Finish: Cool Grey Powder Coat
Camera Mount	1/4-20 UNC mounting ring
Connector	Video Output: BNC connector Lens: 4 Pin Connector Power Input: Removable screw block Network: RJ45 connector Alarm I/O: Removable screw block Audio In: 3.5 mm mono phone jack Audio Out: 3.5 mm mono phone jack

Environmental			
Temperature	Operating: -10°C to 50°C Storage: -20°C to 60°C		
Relative Humidity	0% to 85%, non-condensing		
IP Specifications			
Video Compression	Dual stream H.264 and MJPEG		
Primary Stream Resolution	Bitrate H.264 (Typical)*	Frame Rate	Storage/Day (GB)
1280 x 720	2.7 Mbps	30/25	28.48
800 x 450	1.8 Mbps	30/25	18.98
640 x 360	0.9 Mbps	30/25	9.49
320 x 180	0.315 Mbps	30/25	3.32
Frame Rate NTSC/PAL	Up to 30/25 fps video in all resolutions		
Video Streaming	Dual streaming: H.264 and MJPEG Controllable frame rate and bandwidth Constant or variable bit rate		
Security	Multiple user access levels with password protection		
Video Access from Web Browser	Full control of all camera settings available to administrator		
Minimum Web Browsing Requirements	Pentium IV CPU 3.1 GHz or faster 2 GB RAM Windows XP®, Windows 7 (32/64), Windows 2K8 (64) Internet Explorer 6, 7, 8 or 9		
Installation and Management Maintenance	Honeywell IP Utility software identifies the IP address, discovers cameras, supports firmware upgrades		
Supported Protocols	HTTP, TCP, RTSP, RTP, UDP, ARP, DNS, RTCP, FTP, ICMP, DHCP, Bonjour, IGMP, Telnet		
Standards	PSIA support		
Regulatory			
Emissions	FCC, CE (EN55022)		
Immunity	CE (EN50130-4)		
Safety	EU: EN60950-1:2006		

*Actual bitrate is scene and motion dependent with H.264 stream.

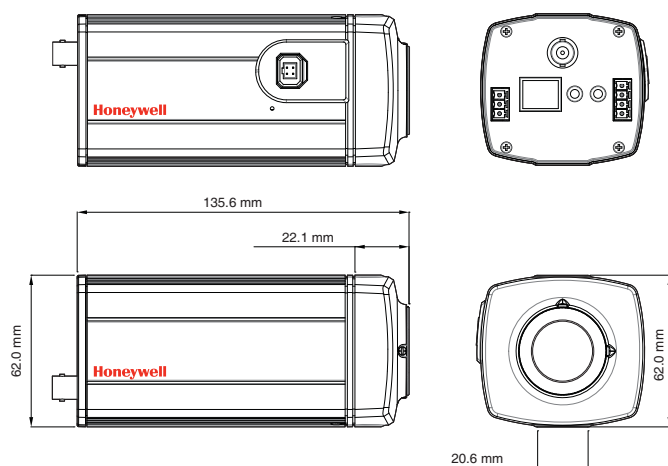
HCD5WIHX

SPECIFICATIONS

System Integration

Open IP Integration

PSIA support and open API for real interoperability between Honeywell and other manufacturer's IP-enabled security devices. Refer to the Honeywell Open Technology Alliance [<http://www.security.honeywell.com/hota/>] to learn more about our open and integrated solutions.



Accessories

Housing and Mounts

HBC5WT	Wall/ceiling mount bracket
--------	----------------------------

Recommended Lens Options *

HLM45V13MPD	4.5-13.2 mm high definition megapixel lens
-------------	--

NOTE:

* Only a high definition megapixel lens should be used with the HCD5WIHX camera.

Ordering

HCD5WIHX	Network True Day/Night, 1/3" Progressive Scan, CMOS, Wide Dynamic 720p Resolution Camera, 24 V AC or PoE IEEE 802.3af, H.264, PAL
----------	---

NOTE: Honeywell reserves the right, without notification, to make changes in product design or specifications.

For additional information,

please visit www.honeywell.com/security/uk

Honeywell Security Group

Aston Fields Road
Whitehouse Industrial Estate
Runcorn
Cheshire
WA7 3DL

Tel: 08448 000 235
www.honeywell.com

HVS-HCD5WIH-01-UK(0212)DS-E
February 2012
© 2012 Honeywell International Inc.

Honeywell