

# HCCM474M

High-Performance Color Camera with Low Light B/W Mode



## Features:

- High-performance 1/3" CCD with DSP
- On-screen display menu for adjustment
- 470 TVL resolution
- Low-light B/W mode
- High sensitivity (.4 lux color, .1 lux B/W)
- Digital backlight compensation with 6 sensing zones
- Small footprint, 1.6"(W) x 1.6"(H) x 2.8"(D)
- Auto electronic shutter modes from 1/60 to 1/100,000 sec
- Three mode white balance, ATW/AWC/Manual
- Text display, 24 alphanumeric characters
- Variable gamma, brightness and color control
- 12VDC or 24VAC with line lock
- Digital phase adjustment

The HCCM474M represents a breakthrough in camera design. It has been engineered to produce the highest level of video quality in difficult lighting applications, yet remain unobtrusive in size and easy to install.

### Low Light B/W "Night" Mode:

The HCCM474M adapts to varying lighting conditions to ensure the highest quality picture even in very low light conditions. When the light level drops too low for accurate video identification in color, the camera automatically switches to black and white video to capture more detail.

### On Screen Display Menu:

Traditionally, making adjustments to the video output of a CCTV camera involved flipping very small dip-

switches located somewhere on the camera until the desired picture quality was achieved. The HCCM474M simplifies this adjustment with an on screen text menu for all setup and adjustment options. Menu navigation is simple and picture adjustments can be made in a matter of seconds with easy to use push-buttons on the back of the camera.

### Small Footprint:

At a quarter the size of traditional cameras, the HCCM474M can fit in applications where its full sized counterparts cannot, such as small dome housings and automated teller machines. In installations where discrete camera surveillance is a requirement, the unobtrusive HCCM474M fills the need.

In addition, the HCCM474M includes many advanced video configuration options that allow for video adjustment to specific lighting or color conditions. Backlight compensation with 6 sensing zones allows objects close to the camera to be identified even with a large amount of light behind the object. Color adjustment and three white balance modes enable the camera to accurately capture the colors in a scene even when the scene is tinted, (such as looking through a gold tinted dome). The HCCM474M is the camera of choice in the most difficult surveillance applications.

# HCCM474M

## Specifications:

### Power

- Power: 24VAC/12VDC
- Power Consumption: 2.5 watts
- Power Indicator: Green LED

### Sensor and General Information

- Processing Technology: Digital Signal Processing with on screen display
- Pick-up device: 1/3" interline transfer CCD
- Effective Pixels: 768(H) x 494(V)
- Scanning System: Internal, line lock
- Electronic Shutter: 1/60 to 1/100,000 sec
- Operating Temperature: -10°C to 50°C (14°F to 122°F)
- Operating Humidity: <85%

### Video

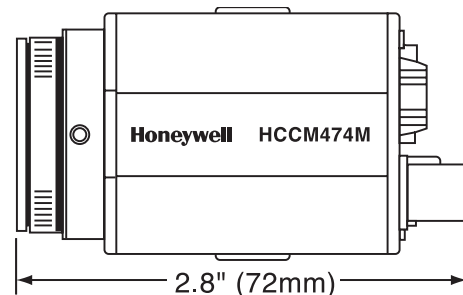
- Signal Format: NTSC
- Horizontal Resolution: 470
- Minimum Illumination Color: 0.4 lux @ f1.2 (50IRE) (contrast "on")
- Minimum Illumination B/W: 0.1 lux @ f1.2 (50IRE)
- Video Outputs: Composite Video (1.0Vp-p)
- Signal to Noise Ratio: 50db (AGC off)

### Functions (Programmable - OSD)

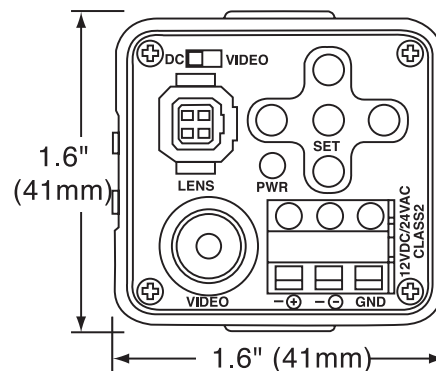
- Electronic Shutter: Off/Auto/Manual
- Manual Shutter Control: 1/60, 1/100, 1/120, 1/250, 1/500, 1/1000, 1/2000, 1/4000, 1/10000, 1/50000, 1/100000
- Lens Control: Manual/Video AI/Direct Drive AI
- Linelock Phase: 0 ~ 290 deg
- Back Light Compensation: On/Off, 6 sensing zones
- Gamma Correction: Variable
- White Balance: ATW/AWC/Manual
- Automatic Gain Compensation: 8 levels, 0db to 32db
- Day/Night Mode: Day (color)  
Night (monochrome)  
Auto (switch color to B/W @ 1 lux)
- Text Display: On/off  
24 Alphanumeric characters
- Sync Mode: Internal/Line Lock
- Sharpness: High/Low
- Color Adjustment: Phase & Level
- Contrast: On/Off

### Connector & Mechanical

- Video Output: BNC connector
- Power Input: 3-pin Screw Terminal
- Auto Iris Output: 4-pin Standard Jack
- Lens Mount: C/CS mount
- Mounting Hole: 1/4"-20 UNC top and bottom
- Weight: 160g (0.35 lbs)
- External Dimensions: 41 (W) X 41 (H) X 72 (D)mm  
[1.6 (W) X 1.6 (H) X 2.8 (D) inch]



HCCM474M SIDE VIEW



HCCM474M REAR VIEW

Design and specifications subject to change without notice.

Honeywell Video Systems - [www.honeywellvideo.com](http://www.honeywellvideo.com)

North America  
1.800.796.CCTV

Europe  
44.1928.754000

Asia  
61.2.8837.9300

Latin America  
1.305.805.8188