

BR-7

Northern Computers' BR-7 Bar Code Reader allows you to read virtually all existing bar code cards and is housed in a rugged, water-resistant enclosure.

Bar code cards are simple to create and easy to use. They provide the lowest-cost cards of any access control technology. With a security overlamine, they provide protection from copying and a high level of security.



The BR-7 reader outputs in a Wiegand format and reads either 5 or 12 digit cards. It connects to Northern's N-1000-II, N-1000-III and N-1000-IV control panels.

The BR-7 reads most bar code symbologies including: Code 39 and Interleaved 2 of 5. It is auto-discriminating and reads in both directions.

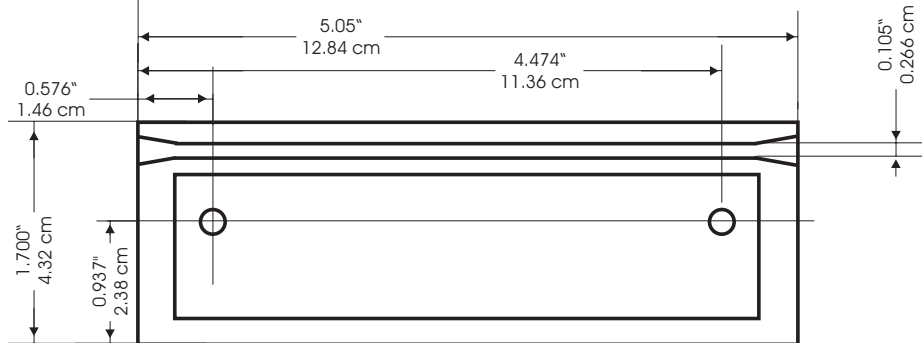
The BarCode reads with a wide range of bar code densities and scanning speeds. Infrared optics make it compatible with most masking film and bar code security coverings.

BENEFITS

- Bar Code Reader connects to your existing system with a standard Wiegand interface
- Has a tough carbon filled polycarbonate housing to protect it against moisture and vandalism
- Infrared optics make it compatible with most masking films
- The reader will read most bar code symbologies
- Auto discriminating, reads in both directions
- Reads well with a wide range of bar code densities and scanning speeds
- Overlamine on cards provide protection from copying

**ACCESS CONTROL
SOLUTIONS
BR-7
BARCODE READER**

BR-7



SPECIFICATIONS

- **External Dimensions** - 5.05" W x 1.70" H x 1.54" D
(12.84 cm W x 4.32 cm H x 3.91 cm D)
- **Weight** - 6 oz (170.1 g)
- **Housing Material** - Carbon filled polycarbonate
- **Finish** - Natural (Black)
- **Operating Temperature** - -22° F to 158° F (-30° C to 70° C)
- **Operating Voltage** - 5V DC - 5.5V DC Regulated
5.6V DC - 12V DC Unregulated
- **Power Consumption** - 50 mA
- **Cable Type** - Shielded 8 conductor plus drain, 24 AWG
- **Mounting Hardware** - Two 2" #10-32 x .5", pan head machine screws

ORDERING INFORMATION

BR-7 Barcode Swipe Reader

Consult your Northern Sales
Representative for more
information.