

# 17-inch Monochrome Monitor

ADEMCO Video's AMM17 is a high quality 17-inch monochrome monitor that is ideal for video surveillance and security applications. The monitor features a sturdy housing and delivers sharp images with over 900 TV lines of resolution. Its large viewing area is advantageous for applications requiring detailed picture-in-picture or multi-screen formats typically associated with quads or multiplexers.

The AMM17 has convenient recessed front panel controls making set up and adjustment quick and easy while restricting movement caused by casual contact. Installers can easily switch between EIA and CCIR video formats to comply with worldwide video standards. An illuminated green LED beside the power button confirms that power is being supplied to the monitor. The monitor features a latching power switch which remains in its set position –either on or off– eliminating the need to turn the monitor back on in the event of a power loss.

The AMM17 has two composite BNC connectors with looping outputs. The BNC connectors are auto terminating, eliminating the need for installers to set termination switches when using for loop-through video.

The AMM17 has audio input and output connectors, allowing users to listen in, as well as view the monitored area. This is especially convenient for secured entry areas. ADEMCO Video's AMM17 can be easily rack mounted using an optional rack mount kit (AMM17RK1).



**AMM17**

## FEATURES:

- >900 TVL
- Convenient recessed front panel controls
- Heavy-duty metal cabinet
- EIA or CCIR selectable
- Video loop-through with automatic termination
- A/B Switch for video selection
- Audio Input/Output
- Latching power switch
- Rack mountable

# AMM17

## SPECIFICATIONS:

### General

- Picture Tube:
  - 17-inch diagonal (43 cm)
- Resolution: >900 TV lines (at center)
- Video Standard: EIA/CCIR
- Deflection: 90° angle

### Electrical

- Power Source: 90 to 264 VAC, 60 Hz/50 Hz
- AC Input Connector: IEC 320
- Power Cable: NEMA 5-15P, UL
- Power Consumption: 40 Watts
- Scanning Frequency:
  - Horizontal: 60 Hz: 15.734 KHz;
  - 50 Hz: 15.625 KHz
  - Vertical: 60 Hz: 59.94 Hz;
  - 50 Hz: 50 Hz
- Linearity:
  - Horizontal: 10% maximum
  - Vertical: 10% maximum
- Active Area Display:
  - Horizontal: 10% overscanning
  - Vertical: 10% overscanning
- Video A/B Inputs: Two sets of BNC connectors for loop-through operation, auto-terminating
  - Level: 1 Vp-p (75 Ohms)
  - Impedance: 75 Ohms/Hi-Z
- Connectors
  - Audio (In and Out): 2 RCA Connectors

### Controls

- Front:
  - V-Size
  - H-Size
  - V-Size
  - V-Hold
  - H-Hold
  - Bright
  - Contrast
  - Sharpness
  - Volume
  - Power
  - Underscan/Overscan
- Rear:
  - DC Restoration On/Off
  - V-linearity

### Environmental

- Operating Temperature: 32°F to 104°F (0°C to 40°C)
- Operating Humidity: 10% to 90% (noncondensing)

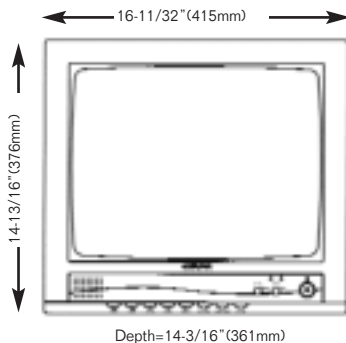
### Mechanical

- Dimensions: (W x H x D)  
16-11/32" x 14-13/16" x 14-3/16"  
(415 mm x 376 mm x 361mm)
- Weight: 31.5 lbs. (14.3 Kg)
- Shipping Weight: 36 lbs., 5 oz. (16.5 Kg)

### Regulatory

- Emissions: FCC Part 15, Class B, Canada ICES-003
- Safety: UL: UL1950, cUL: CSA C22.2 No. 950, DHHS Rules 21

## DIMENSIONS



## ORDERING:

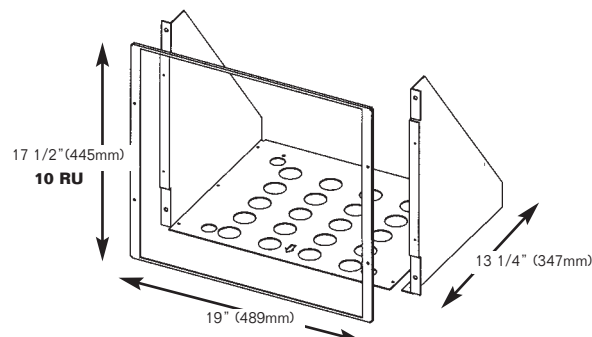
Part No.	Description
AMC10	10-inch Color Monitor
AMC10	14-inch Color monitor
AMC21	21-inch Color Monitor
AMM9	9-inch Monochrome Monitor
AMM12	12-inch Monochrome Monitor
AMM17	17-inch Monochrome Monitor

### Accessories

AMM17RK1 Single AMM17 Rack Mount Kit

L/AMM17DS/D

## AMM17RK1 RACK DIMENSIONS



## 17-inch Monochrome Monitor

### ADEMCO VIDEO

Sales . . . . .800-467-5875  
 Applications . . . . .877-653-0302  
 Technical Support . . .800-645-7492  
 Fax . . . . .516-921-4307  
 Web site: www.ademcovideo.com

171 Eileen Way, Syosset, NY 11791  
 Copyright ©2001 Pittway Corporation

**ADEMCO**  
**VIDEO**