



PS2 Power Supply

The PS2 is an isolated power supply used with access controllers to operate heavy duty electronic locking devices, when those devices have large inrush current requirements, are located at considerable distances from the access controller, or require standby battery operation. The PS2 houses discrete inputs and outputs for operating two separate locking devices.

Features

- Operates Two Separate Locking Devices
- Powered and Dry Relay Outputs
- High Inrush Current Capacity
 - Up to 16A
- Continuous Duty Holding Current
 - 500 mA Total
 - 250 mA Each Output.
- Battery Backup for Locking Devices.
- Reduces Wiring Cost.
 - Low Current Inputs
 - Long Wire Runs of Small Gauge Wire from Access Controller to PS2
- Auxiliary Low Voltage Power Source
 - Power ScramblePad, ScrambleProx MATCH, PIR, or Fiber Optic Transceiver
 - 28VDC

Description

The patented PS2 is a companion product to a DIGI*TRAC controller. It is designed to power electrified locks or

magnetic locks and provide auxiliary power to ScramblePads, ScrambleProx and MATCH interfaces. Originally designed for Von Duprin panic bars, it has since become the power supply of choice for many electric strikes, electric deadbolts, and other devices with high inrush current or large power requirements.

The PS2 electronically isolates the wiring of outputs from the access controller and the wiring to the locking devices to allow long wiring runs and smaller gauge wire between the controller and the PS2. When the PS2 is located near the Locking device, the controller can be great distances away from the door.

Alarm Line Modules may be installed in the PS2 enclosure to supervise the wiring from the controller to the PS2.

The PS2 is housed in a key-locked metal enclosure. This enclosure is

mounted in the same manner as a DIGI*TRAC controller and, on the 120VAC unit, includes a cord and plug for connection to line power.

Typical Operation

The PS2 has two discrete inputs which recognize remote NO contact closures. A small voltage is provided by the PS2 at each input to detect dry contact outputs in a remote controller.

When a PS2 input is triggered, an associated pair of 10 A, form C output relays is actuated. One of these output relays is dry and the other is powered with 24VDC. The powered output is used to activate electronic locking devices and the dry contact is available for activating CCTV cameras, alarm inputs, or other miscellaneous signals that follow lock activation.

The PS2 provides 500mA 28VDC auxiliary power for local devices independent of the lock power.

Systems With Integrity

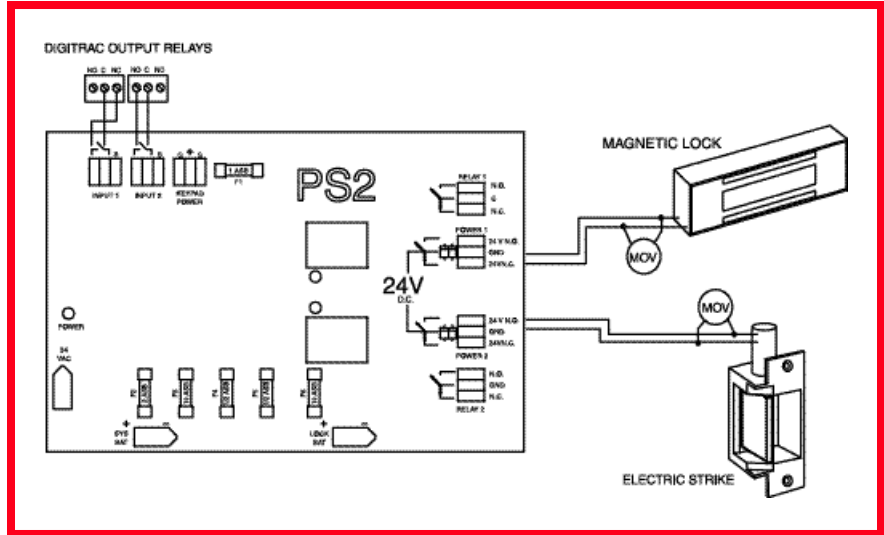
The PS2 contains a battery and charger for UPS operation of the locking device in the event of AC power failure.

The PS2 incorporates logic circuits that supply current in half-second bursts (maximum). This extends battery life cycle by cutting off current once the locking device has been actuated.

Specifications

Electrical

- Primary and Standby Power:
 - Integral transformer
 - 90-130VAC, 50/60 Hz, fused, with cord and plug
 - 180-260VAC, 50/60 Hz, fused
- Two Powered Inputs:
 - For monitoring NO Form C relays
- Two Powered Form C Outputs:
 - 24V DC unregulated (18V-27V)
 - 16A inrush current for 0.5 second
 - 300mA continuous holding current
- Two Dry Form C Outputs:
 - 10 A @ 24V DC
- One Auxiliary Power Source:
 - 500mA @ 28VDC.

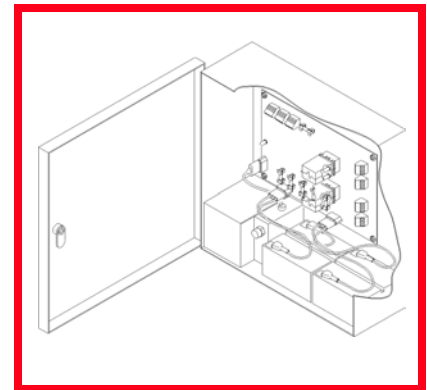


Physical

- Enclosure: Knockouts & Key Lock
- Dimensions: 12"H x 12"W x 4"D (30.5cm x 30.5cm x 10cm)
- Shipping Weight: 16.3 lbs (7.4 kg)
- Operating Temperature Range: 32°F to 140°F (0° to 60°C)
- Relative Humidity: 0 to 90%, non-condensing

Listings & Approvals

- UL 294 Access Control Systems Units



Ordering Information

Model #	Description	Comments
PS2	PS2 Power Supply - 115VAC	24V DC power for 2 locks, ScramblePads, ScrambleProx & MATCH. 16Amps inrush & 300mA holding current per lock. 2 heavy-duty relays (1 powered, 1 dry) per lock. Includes lockable enclosure, transformer, 115 VAC line cord & batteries. UL 294. 115VAC. 12"H x 12"W x 4"D.
PS2-230	PS2 Power Supply - 230VAC	24V DC power for 2 locks, ScramblePads, ScrambleProx & MATCH. 16Amps inrush & 300mA holding current per lock. 2 heavy-duty relays (1 powered, 1 dry) per lock. Includes lockable enclosure, transformer, & batteries. 230VAC. 12"H x 12"W x 4"D.



Specifications are subject to change without notice.

Global Headquarters

1900 Carnegie Ave., Bldg. B, Santa Ana, CA 92705 USA
949-250-8888 Fax 949-250-7372

www.HirschElectronics.com

PDS016-203