



iDS-2CD6124FWD-(Z)/C PEOPLE COUNTING 2MP Intelligent Network Dome Camera



Installation

Installation position should be paid attention to ensure the accuracy. The following data is for reference. Please consult our technique for details.

Height H(m)	Recommended Focus F(mm)	Max Detection Distance (m)
3.0-3.2	2.8	2.0
3.2-3.5	2.8	2.4
3.5-4.0	2.8	2.8
4.0-5.0	2.8	3.0

With Hikvision's built-in industry-leading traffic counter algorithms, the iDS Intelligence network camera adds significant workplace efficiency with its ability to automatically count all people traffic statistic and chart which direction the people are walking in. Combined with Hikvision iVMS-5200 Professional video management software, the iDS Intelligence camera is an easy-to-use and cost-efficient data-analyzer solution.

- Up to 2 Megapixel high resolution, 1920x1080 up to 30fps real-time video.
- Standard video compression with high compression ratio.
- 1/2.8-inch progressive scan CMOS sensor
- Support Smart Codec, high bandwidth efficiency, low time delay and optimized bit rate.
- Support 120dB WDR and 3D DNR.
- Support on-board storage, Micro SD/SDHC/SDXC up to 128GB, card not included.
- Triple video streams for different uses.
- Defog, Electronic Image Stabilization, various BLC modes.
- Support Smart Detection, including: Intrusion Detection, Audio Exception Detection, etc.
- Motorized VF lens(-Z model)
- Support Audio/Alarm IO interfaces
- Support 12VDC/PoE power modes



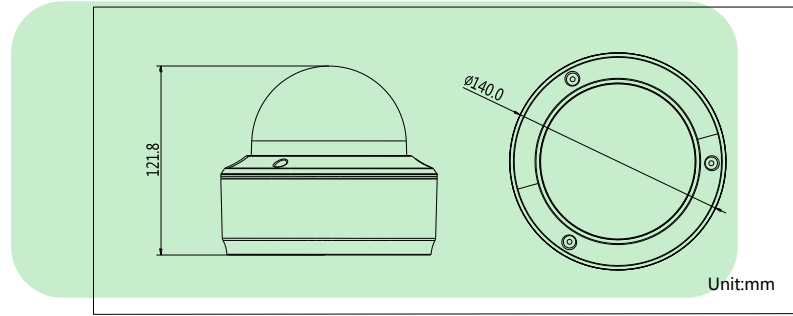
IDS-2CD6124FWD-(Z)/ C PEOPLE COUNTING 2MP Intelligent Network Dome Camera



Specification

Camera	
Image Sensor	1/2.8" Progressive Scan CMOS
Min. Illumination	0.01 Lux @ (F1.2, AGC ON) 0.014 Lux @ (F1.4, AGC ON)
Shutter Speed	1/1s ~ 1/100,000s
Slow Shutter	Support
Lens	2.8-12mm @ F1.4, angle of view: 113-33.8° -Z: 2.8-12mm @ F1.4, angle of view: 113-33.8°
Day & Night	IR cut filter with auto switch
DNR	3D Digital Noise Reduction
WDR	120dB Wide Dynamic Range
Lens Mount	Φ14
Compression Standard	
Video Compression	H.264 / MJPEG / MPEG4
H.264 Type	Baseline Profile / Main Profile / High Profile
Video Bit Rate	32 Kbps – 16 Mbps
Audio Compression	G.711/G.722.1/G.726/MP2L2
Audio Bit Rate	64Kbps(G.711) / 16Kbps(G.722.1) / 16Kbps(G.726) / 32-128Kbps(MP2L2)
Image	
Max. Resolution	1920x 1080
Frame Rate (main stream)	50Hz: 25fps(1920 × 1080,1280 × 960,1280 × 720) 60Hz: 30fps(1920 × 1080,1280 × 960,1280 × 720)
Image Setting	Rotate Mode, Saturation, Brightness, Contrast, Sharpness adjustable by client software or web browser
BLC	Yes, zone configurable
HLC	Yes
EIS	Yes
Day/Night Switch	Auto/Schedule/Triggered by Alarm In
Picture Overlay	LOGO picture can be overlaid on video with 128x128 24bit bmp format
RoI	Support
Interface	
Audio Interface	1 x 3.5mm audio input (Mic in / Line in)
Communication Interface	1 x RJ45 10M/100M Ethernet interface/1 RS232/1 RS-485
Alarm I/O	1/1

Dimensions



Network

Network Storage	NAS(NFS, SMB/HIFS), edge recording
Alarm Trigger	Face Detection , Defocus Detection , Scene Change, Audio Abnormal, Motion detection, Tampering alarm, Network disconnect, IP address conflict, Storage exception
Protocols	TCP/IP, ICMP, HTTP, HTTPS, FTP, DHCP, DNS, DDNS, RTP, RTSP, RTCP, PPPoE, NTP, UPnP, SMTP, SNMP, IGMP, 802.1X, QoS, IPv6, Bonjour
Standard	ONVIF, PSIA, CGI, ISAPI
Common features	Reset, flickerless, three streams, heartbeat, mirror, password protection, video masking, watermark, anonymous login, IP address filtering

Intelligent

People Counting	People entering and exiting data can be accounted, displayed and exported(The people counting data is saved in the FLASH)
-----------------	---

General

Operating Conditions	-30 °C – 60 °C (-22 °F – 140 °F), Humidity 95% or less (non-condensing)
Power Supply	12 V DC ± 10%, PoE (802.3af)
Power Consumption	Max. 13.5W
Dimensions	Φ 140 × 121.8 mm (Φ 5.51" × 4.80")
Weight	1400 g (3.09 lbs)

Order Models

iDS-2CD6124FWD-C, iDS-2CD6124FWD-Z/C

Accessories



Indoor in-ceiling mount
DS-1227ZJ



Indoor wall mount
DS-1273ZJ-130