

DS-MI9605-GA Mobile Enforcement System

Introduction

DS-MI9605-GA series mobile enforcement system adopts multiple key technology. The whole system is made up mainly by four parts: mobile video recorder, positioning system lite, manual controller, and LCD. DS-MI9605-GA perfectly meets the demand of all-day and all-weather enforcement and provides following functions: local video storage, wireless network transmission, satellite positioning, remote control, and light supplement.

Due to these functions, DS-MI9605-GA is widely applied to the police vans, special vehicles, emergency scenes, etc., providing a complete solution for the traffic law enforcement, security protection, emergency commanding and other surveillance projects.



Available Model

DS-MI9605-GA

Features and Functions

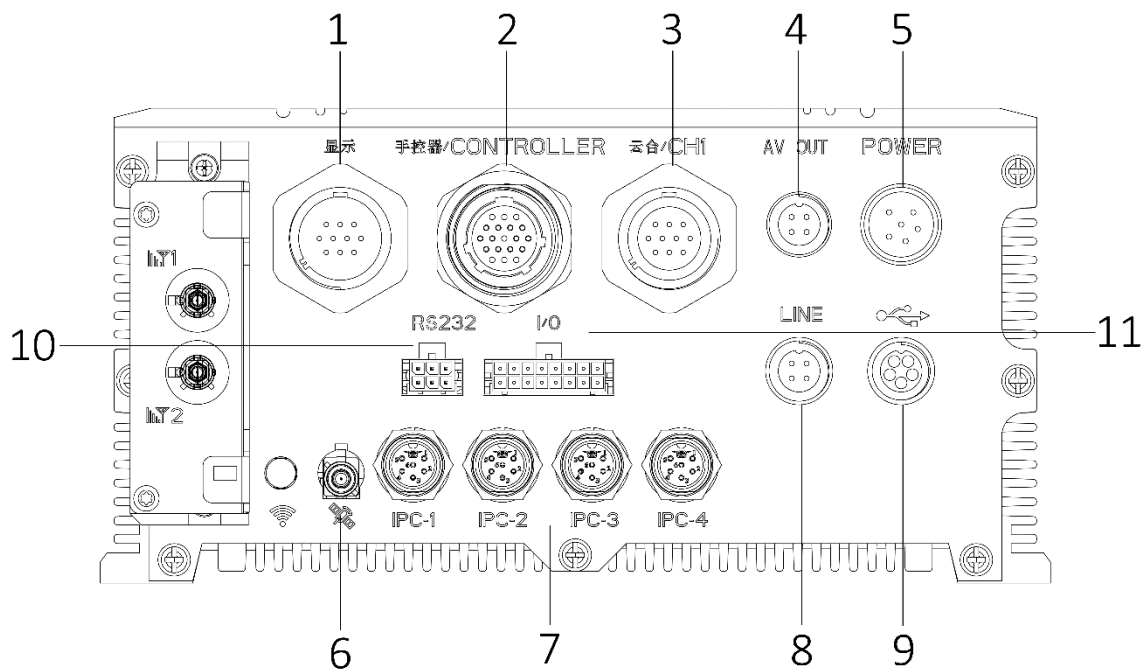
- 1-ch 1080p network speed dome and 4-ch network camera.
- H.265 video compression for main stream and sub-stream.
- 1-ch VGA video output with resolution of 1024 × 600.
- Pluggable dummy HDD supporting two 2.5-inch HDDs/SSDs.
- Dummy HDD adopts HDD/SSD vibration damping technology.
- IR and white light illumination help to capture high quality images in dim light environment.
- Load name overlay feature records the geographical information of video evidence.
- Operate menu and control positioning system lite via single and multi-touch features.
- Wireless cluster intercom function.
- Power-off protection prevents key data from loss.
- Dummy HDD provides smart temperature-control module and USB data export interface.
- Built-in GPS (Global Positioning System) module precisely positioning the vehicle via the satellite and recording the location information in the video stream.
- Device adopts the aviation plug design to ensure signal stability.
- Wide-range power input.
- Aluminum die-cast chassis with no-fan design well adaptable to working environment.



Specifications

Model		DS-MI9605-GA
Video & audio input	Positioning system lite	1-ch, aviation plug
	Network camera	4-ch, aviation plug
	Input bandwidth	80 Mbps
	Protocol	HIKVISION
Video & audio output	CVBS	1-ch. Aviation plug (1.0Vp-p, 75 Ω) Resolution: 720 × 576 (PAL); 704 × 576 (NTSC)
	VGA	1-ch. Aviation plug Resolution: 1024 × 600
	HDMI	1-ch
	Audio output	2-ch. Aviation plug (linear, 600 Ω)
Encoding parameters	Network camera resolution	1080p/720p/960p/D1
	Stream type	Video, video & audio
	Dual stream	Supported
HDD/SSD	Type	Pluggable dummy HDD for two 2.5-inch HDD/SSD
	Dummy HDD	Third-generation dummy HDD with vibration-damping technology
	Capacity	Up to 2 TB for each HDD/SSD
	Data backup	Back up data to HDD/SSD or USB storage device.
Interfaces	Network interface	<ul style="list-style-type: none"> ● Front panel: 1 × 10M/100M RJ45 network interface ● Rear panel: 4 × 4-pin aviation plug. 1 × 2-pin power supply
	USB interface	Front panel: 2 × Type-A USB 3.0. Rear panel: 1 × USB 2.0 of 5-pin aviation plug
	eSATA interface	1 × eSATA interface (reserved)
	Serial port	1 × RS-232 to connect external device like alarm button
	Two-way audio	1-ch (2.0Vp-p, 1K Ω)
	Alarm input	8-ch
	Alarm output	2-ch
General	Power supply	8 to 36 VDC
	Consumption (without HDD/SSD)	Standby: ≤ 0.1 W, Full load: ≤ 80 W
	Working temperature	-30 °C to +75 °C (-22 °F to +167 °F)
	Working humidity	10% to 95%
	Dimensions (W × D × H)	205 × 256 × 102.3 mm (8.1 × 10.1 × 4.0 in)
	Weight (without HDD/SSD)	≤ 4.5 Kg (9.9 lb)

Physical Interfaces



No.	Description
1	LCD Interface
2	Manual controller interface
3	Positioning system lite interface
4	Analog video output
5	Power supply of 6-pin aviation plug
6	GPS antenna interface
7	Audio and video input of channel 1 to 4
8	Two-way audio interface
9	USB 2.0 of 5-pin aviation plug
10	RS-232 interface
11	I/O Interface, including: <ul style="list-style-type: none"> • Alarm input, triggered by high/low level • vehicle information input • Relay signal alarm output

iDS-TCC215-I/30/T(B) Network HD IR Positioning System Lite



Features and Functions

- All-weather positioning system lite. Wiper and housing made from high-strength aluminum.
- IR illumination helps to capture high quality images in dim light environment.
- Up to 100 m IR distance.
- Vibration damper installed.
- 0.2 MP. 1/2.8" progressive scan CMOS.
- Resolution is up to 1080p.
- 30X optical zoom. Focal length: 4.5 to 135 mm.
- Minimum illumination: Color, 0.05Lux @ F1.6.
- 3D DNR.
- ICR day & night switch.

Typical Application

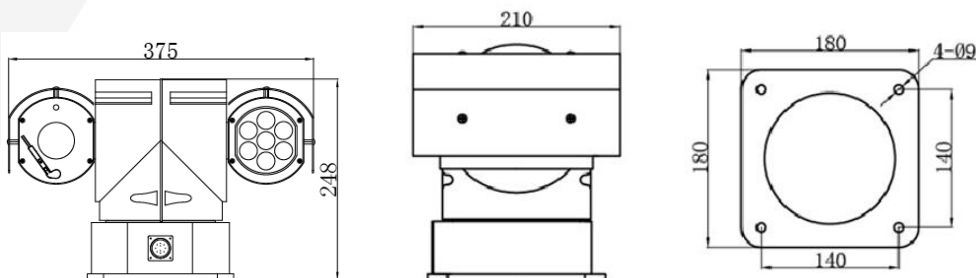
Police vehicles, mobile police office

Available Model

iDS-TCC215-I/30/T(B)

Dimensions

Unit: mm



Specifications

Model	iDS-TCC215-I/30/T(B)
Parameters	Network HD IR Positioning System Lite
Camera Module	
Image sensor	1/2.8" Progressive Scan CMOS
Resolution	50 Hz:25fps(1920 x 1080/1280 x 720/1280 x 960) 60 Hz:30fps(1920 x 1080/1280 x 720/1280 x 960)
Min. illuminate	Color:0.05Lux @ (F1.6, AGC ON)
S/N ratio	> 52dB
Focal length	4.5-135mm, 30× optical
Aperture range	F1.6-F4.4
Horizontal field of view	65.1-2.34° (wide-tele)
Working Distance	10mm to 1500mm (wide-tele)
Zoom speed	Approx. 3 s (optical lens, wide-tele)
Day & night	ICR
Focus mode	Auto/Semi-automatic/Manual
Exposure mode	Auto/Iris Priority/Shutter priority/Manual
Day/night mode	Auto/Color/B/W
Digital shutter	1/1 s to 1/30,000 s
White balance	Auto 1/Auto 2/Manual/Indoor/Outdoor/Fluorescent Lamp/Sodium Lamp
DNR	3D DNR
WDR	On/off
Image adjusting	Brightness, contrast, sharpness, hue
BLC	On/off
Digital zoom	12
Mirror image	Supported
Video compression	H.264 main Profile/H.265
Bitrate	32kbps-12Mbps
Network protocol	TCP/IP, HTTP, DHCP, DNS, DDNS, RTP, RTSP, PPPoE, SMTP, NTP, UPnP, SNMP, FTP, 802.1x, QoS, HTTPS, IPv6 (SIP, SRTP optional), GB28181, EHOME
Network camera protocol	ONVIF, PSIA, CGI, ISAPI
Dual stream	Supported
Security strategy	Password protection, multi-user access control
Pan and Title	
Preset speed (pan)	100°/s
Preset speed (tilt)	80°/s
Pan speed	0° to 60°/s
Tilt speed	0° to 40°/s
Movement Range (pan)	360° endless
Movement Range (tilt)	-90° to +90°
Pattern	6
Preset	256
RS-485	PELCO_D
General	
Communication interface	RJ45 network interface. Supporting remote upgrade
Power supply	12 VDC ± 10%
Working temperature	-35 °C to +55 °C (-31 °F to 131 °F)
Working humidity	≤ 90%
Ingress Protection	IP66
Consumption	< 50W
Shock resistance	≥ 4G
Weight	6 Kg (13.2 lb)

DS-1010K Manual controller



Features and Functions

- Control enforcement system.
- Control positioning system lite.
- Power lock.
- Joystick design.
- Buttons with backlight.
- Vibration damping design.

Typical Application

Mobile environment

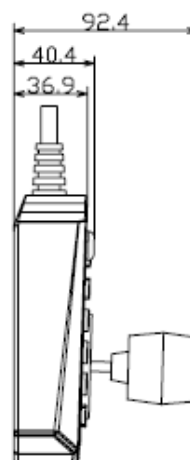
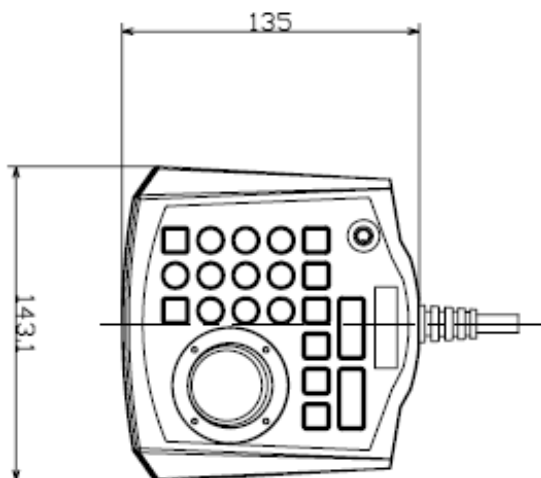
Available Model

DS-1010K

Dimensions

Specifications

Model	DS-MP1013 series manual controller
Dimension(W×D×H)	143 × 135 × 40 mm (5.6 × 5.3 × 1.6")
Weight	≤ 0.5 Kg (≤ 1.1 lb)
Consumption	≤ 2W
Power supply	12 VDC
Temperature	-20 °C to +60 °C (-4 °F to +140 °F)
Humidity	10% to 95%



DS-MP1308 7-inch HD LCD

Features and Functions

- 7-inch LCD. LED backlight.
- High definition.
- Touchscreen.
- Display enforcement system image and GUI.
- Aviation plug design.
- TFT material.

Typical Application

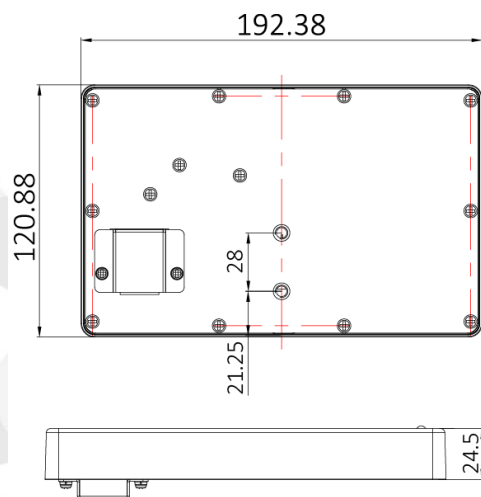
Mobile environment

Available Model

DS-MP1308

Dimensions

Unit: mm



Specifications

Model	DS-MP1308 7-inch HD LCD
Resolution	1024 × 600
Material	TFT
Backlight mode	LED backlight
Dimensions	7-inch
Consumption	≤ 5W
Weight	≤ 0.6 Kg (1.3 lb)
Working voltage	12 V
Working temperature	-20 °C to +60 °C (-4 °F to +140 °F)
Working humidity	10% to 95%
Touchscreen	Supported. Multi-touch

