

DS-KV8102-IP/VP Plastic Villa Door Station



Key Features

Basic Functions

- Video intercom function
- Access control function
- Issues cards via door station, up to Max. 256 cards (This function will be invalid if the card has been issued via the client.)
- Card readers supported
- Self-adaptive supplement
- High-Performance Embedded SOC Processor
- One-touch calling function

Video/Audio Functions

- HD video surveillance
- Noise suppression and echo cancellation
- H.264 video compression

- Low illumination

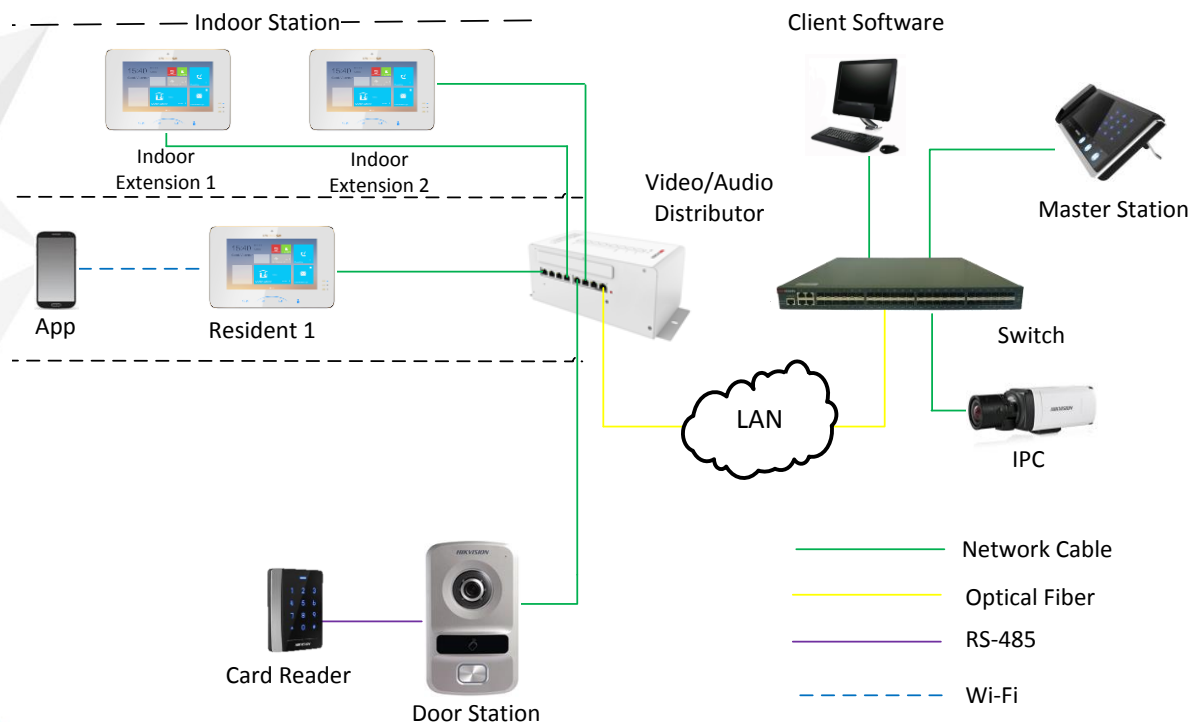
Remote Control

- Remote reboot, remote upgrade, time synchronization via NTP, and batch configuration function
- Remote unlocking via the client or the app
- Remotely answering the call via the client or the app

Additional Features

- Tampering alarm and door magnetic alarm
- Message notification function
- Auto-uploads captured pictures to FTP or the client while unlocking the door

Typical Application



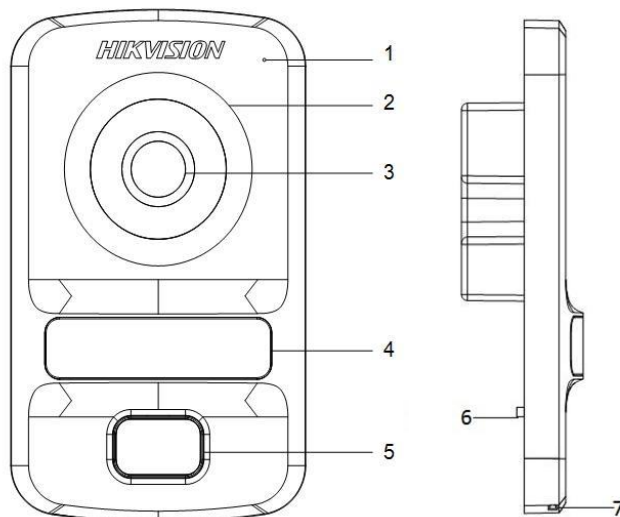
Specifications

Model	DS-KV8102-IP		DS-KV8102-VP
System parameters	Processor	High-Performance Embedded SOC Processor	
	Operation system	Embedded Linux Operation System	
Video parameters	Camera	CMOS Low Illumination 1.3 MP HD Colorful Camera	
	Video compression standard	H.264	
	Resolution	1280 × 720	
	Video frame rate	25 fps	
Audio parameters	Audio input	Built-in Omnidirectional Microphone	
	Audio output	Built-in Loudspeaker	
	Audio compression standard	G.711 U	
	Audio compression rate	64 Kbps	
	Audio quality	Noise Suppression and Echo Cancellation	
Access control parameters	Internal card reader	Built-in IC Card Reader	
	Exit button	Exit Button for Opening the Door	
	Door magnetic detection	Detects Door Magnetic Status	
Light supplement	Light supplement mode	IR Supplement	Visible Light Supplement
Network parameters	Ethernet	10/100 Mbps Self-Adaptive Ethernet	
	Network protocol	TCP/IP, RTSP	
Alarm parameters	Alarm input	Door Magnetic Alarm, Tampering Alarm	
Device interfaces	Network interface	1 RJ-45 10/100 Mbps Self-Adaptive Ethernet Interface	
	RS-485	1 RS-485 Half-Duplex Port	
	I/O input	4	
	I/O output	1	
	Material	Plastic	
	Power supply	24 VDC, Power Over Network Cable (DS-KAD606, DS-KAD612)	
		12 VDC	
	Power consumption	≤12 W	
	Working temperature	-40° C to +70° C (-40° F to 158° F)	
	Working humidity	10% to 90%	
	IP protection level	IP65	
	Dimensions (L × W × H)	164 mm × 97 mm × 54.4 mm (6.46" × 3.82" × 2.14")	
Certification	FCC, IC, CE, C-TICK, ROHS, REACH, WEEE		

Available Models

DS-KV8102-IP, DS-KV8102-VP

Appearance and Interfaces



Index	Description	Index	Description
1	Microphone	5	Call Button
2	Low Illumination Supplement Light	6	TAMPER
3	Built-in Camera	7	Loudspeaker
4	Card Induction Area		

Distributed by



HIKVISION®

Headquarters

No.555 Qianmo Road, Binjiang District,
Hangzhou 310051, China
T +86-571-8807-5998
overseasbusiness@hikvision.com

Hikvision USA
T +1-909-895-0400
sales.usa@hikvision.com

Hikvision Europe
T +31-23-55-42-770
info.eu@hikvision.com

Hikvision Middle East
T +971-4-8816086
salesme@hikvision.com

Hikvision Russia
T +7-495-669-67-99
saleru@hikvision.com

Hikvision India
T +91-22-28469900
sales@pramahikvision.com

Hikvision Italy
T +39-0438-6902
info.it@hikvision.com

Hikvision France
T +33(0)1-85-330-450
info.fr@hikvision.com

Hikvision Spain
T +34-91-737-16-55
info.es@hikvision.com

Hikvision Poland
T +48-22-460-01-50
poland@hikvision.com

Hikvision UK
T +01628-902140
support.uk@hikvision.com

Hikvision Singapore
T +65-6684-4718
sg@hikvision.com

Hikvision Oceania
T +61-2-8599-4233
salesau@hikvision.com

Hikvision Canada
T +1-909-895-0400
sales.usa@hikvision.com

Hikvision Korea
T +82-31-731-8841
sales.korea@hikvision.com

Hikvision Brazil
T +55 11 3318-0050
Latam.support@hikvision.com

Hikvision Africa
T +27 (0) 0351172
sale.africa@hikvision.com

Hikvision Hong Kong
T +852-2151-1761