

DS-7200HUHI-F1/N SERIES TURBO HD DVR



Features and Functions

Video Input and Compression

- Connectable to HD-TVI, AHD, network and analog cameras;
- Supports HIKVISION-C protocol for connecting camera over coax;
- H.264+/H.264 video compression, and H.264+ ensures high video quality with lower bitrates;
- Channel-zero encoding;

Video Output and Extranet Access

- Simultaneous HDMI, VGA and CVBS outputs. VGA output at up to 1920 × 1080/60Hz resolution. HDMI output at up to 4K (3840 × 2160) resolution for DS-7208HUHI-F1/N;
- Up to 5MP encoding resolution;
- Manual video quality diagnostics;
- Supports access by Hik-connect Cloud P2P;
- Supports Hikvision DDNS (Dynamic Domain Name System);

Video Recording and Storage

- One-key recording configurable;
- Redundant recording and holiday recording;
- Main stream and sub-stream parameters configurable for simultaneous recording;
- Supports locking and unlocking of video files;
- HDD quota and group management; different capacity can be assigned to different cameras under quota mode;
- One SATA interface provided;
- Supports Cloud storage (One Drive, Google Drive or Drop Box);

Video Playback

- Instant playback for assigned camera during multi-channel live view mode;
- Up to 4/8-ch synchronous playback at 5MP resolution;
- Playback at up to 256X speed;
- Main stream and sub-stream selectable for local/remote playback;
- Playback by smart search and VCA search;
- Customization of tags, searching and playing back by tags;

Alarm

- Alarm for video loss, motion detection, video tampering, etc.;
- Supports 2-ch VCA (line crossing detection, intrusion detection or audio exception detection);

Physical Interfaces

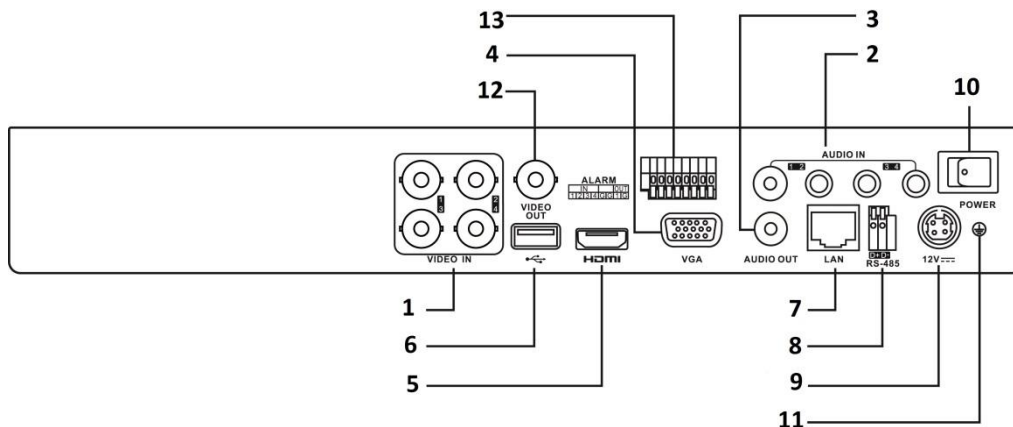
- One RJ45 10M/100Mbps self-adaptive network interface for DS-7204HUHI-F1/N and one RJ45 10M/100M/1000M self-adaptive Ethernet interface for DS-7208HUHI-F1/N.



Specifications

Model	DS-7204HUHI-F1/N		DS-7208HUHI-F1/N	
Video/Audio input	Video compression	H.264+/H.264		
	Video input	4-ch	8-ch	
		BNC interface (1.0Vp-p, 75 Ω), supporting coaxitron connection		
	Supported HDTVI input	1080p/25Hz, 1080p/30Hz, 720p/25Hz, 720p/30Hz, 720P/50Hz, 720p/60Hz, 3MP	1080p/25Hz, 1080p/30Hz, 720p/25Hz, 720p/30Hz, 720P/50Hz, 720p/60Hz, 3MP, 5MP	
	Supported AHD input	720p/25Hz, 720p/30Hz		
	CVBS input	Support		
	IP video input	2-ch Up to 4.0 MP resolution		
	Audio compression	G.711u		
Audio input	4-ch, RCA (2.0 Vp-p, 1 KΩ)			
Video/Audio output	CVBS output	Support		
	HDMI/VGA output	VGA: 1-ch, 1920 × 1080/60Hz, 1280 × 1024/60Hz, 1280 × 720/60Hz, 1024 × 768/60 Hz		
		HDMI: 1-ch, 1920 × 1080/60Hz, 1280 × 1024/60Hz, 1280 × 720/60Hz, 1024 × 768/60Hz	HDMI: 1-ch, 4K (3840 × 2160)/30Hz, 2K (2560 × 1440)/60Hz, 1920 × 1080/60Hz, 1280 × 1024/60Hz, 1280 × 720/60Hz, 1024 × 768/60Hz	
	Encoding resolution	5MP@12fps/3MP@15fps/1080p/720p/WD1/4CIF/VGA/CIF		
	Frame rate	Main stream: 25 fps (P)/30 fps (N) Sub-stream: WD1/4CIF@12fps (non-real-time); CIF/QVGA/QCIF (real time)		
	Video bit rate	32 Kbps to 10 Mbps		
	Audio output	1-ch, RCA (Linear, 1 KΩ)		
	Audio bit rate	64 Kbps		
	Dual-stream	Support		
	Stream type	Video, Video & Audio		
Synchronous playback	4-ch	8-ch		
Network management	Network protocols	TCP/IP, PPPoE, DHCP, Hik-connect Cloud P2P, DNS, DDNS, NTP, SADP, NFS, iSCSI, UPnP™, HTTPS, ONVIF		
Hard disk	SATA	1 SATA interface		
	Capacity	Up to 6TB capacity		
External interface	Two-way audio input	1-ch, RCA (2.0 Vp-p, 1 KΩ) (using the audio input)		
	Network interface	1, RJ45 10M/100M self-adaptive Ethernet interface	1, RJ45 10M/100M/1000M self-adaptive Ethernet interface	
	USB interface	2 × USB 2.0		1 USB 2.0 on the front panel 1 USB 3.0 on the rear panel
	Serial interface	1; RS-485 serial interface, half-duplex		
	Alarm in/out	4/1	8/4	
General	Power supply	12 VDC		
	Consumption (without HDD)	≤ 15W	≤ 20W	
	Working temperature	-10 °C to +55 °C (14 °F to 131 °F)		
	Working humidity	10% to 90%		
	Dimensions (W × D × H)	315 × 242 × 45 mm (12.4 × 9.5 × 1.8 inch)		
	Weight (without HDD)	≤ 1.5 kg (3.3 lb)	≤ 2 kg (4.4 lb)	

Physical Interfaces



The rear panel of DS-7208HUHI-F1/N provides 8 video input interfaces.

Index	Description	Index	Description
1	VIDEO IN	8	RS-485 Serial Interface
2	AUDIO IN, RCA Connector	9	12VDC Power Input
3	AUDIO OUT, RCA Connector	10	Power Switch
4	VGA Interface	11	GND
5	HDMI Interface	12	VIDEO OUT
6	USB Interface	13	Alarm in/out
7	LAN Network Interface		

Available Models

DS-7204HUHI-F1/N, DS-7208HUHI-F1/N

Distributed by



Headquarters

No.555 Qianmo Road, Binjiang District,
Hangzhou 310051, China
T +86-571-8807-5998
overseasbusiness@hikvision.com

Hikvision USA
T +1-909-895-0400
sales.usa@hikvision.com

Hikvision Italy
T +39-0438-6902
info.it@hikvision.com

Hikvision Singapore
T +65-6684-4718
sg@hikvision.com

Hikvision Europe
T +31-23-5542770
saleseuro@hikvision.com

Hikvision France
T +33(0)1-85-330-444
info.fr@hikvision.com

Hikvision Oceania
T +61-2-8599-4233
salesau@hikvision.com

Hikvision Middle East
T +971-4-8816086
salesme@hikvision.com

Hikvision Spain
T +34-91-737-16-55
info.es@hikvision.com

Hikvision Hong Kong
T +852-2151-1761

Hikvision Russia
T +7-495-669-67-99
saleru@hikvision.com

Hikvision Poland
T +48-22-460-01-50
poland@hikvision.com

Hikvision Canada
T +1-909-895-0400
sales.usa@hikvision.com

Hikvision India
T +91-22-28469900
sales@pramahikvision.com

Hikvision UK
T +44-1628-9021-4
support.uk@hikvision.com