

DS-2TD4035D-25/50

Thermal + Optical Bi-spectrum Network Speed Dome



Key Features

Smart Function (Thermal Imaging)

- Smart tracking: support panorama tracking, event tracking and multi-scene patrol tracking
- Smart detection: intrusion detection, line crossing detection, region entrance detection, region exiting detection, audio exception detection
- Smart recording: support edge recording
- Smart encoding: support low bitrate
- Smart tracking linkage: thermal and visible image

IR Function

- High-performance IR array, up to 150m IR distance
- Smart IR
- IR intensity automatically adjusted, depending on the zoom ratio
- Built-in temperature conditioner
- 30,000 hour life-time IR LED

System Function

- High-performance 1/3" sensor, up to 1920x1080 resolution
- Motor with less than 0.1° bias
- Open-ended API, support HIKVISION SDK, ONVIF, CGI and PSIA
- Support PAL
- Automatically adaptive to HIKVISION, Pelco-P/D
- 3D intelligent positioning function
- System backup
- Power-off memory function: restore PTZ & lens status after reboot
- Lightning protection, surge protection and voltage transient protection
- IP66
- Scheduled PTZ movement

Visible Light Module Function

- 30X optical zoom(4.3mm to 129mm), 16X digital zoom
- Support auto iris, auto focus, auto white balance, backlight compensation, WDR and 3D DNR
- Image enhancement (visible light): defog, high light compensation, EIS
- Region exposure and region focus
- ROI
- Support privacy mask, optional multiple regions, colors and mosaics

Thermal Imaging Module Function

- 384x288 resolution, high sensitivity sensor, support contrast adjustment
- Support shutter adjustment in various modes
- 3D DNR, 14 pseudo colors adjustable, image detail enhancement
- Support mirror image and local output
- 24/7 long-distance surveillance; 25mm and 50mm lens optional

Network Function

- Ethernet control and analog output
- View image and realize control by IE and client software
- Built-in Micro SD/SDHC/SDXC card slot
- Support up to 8 NAS; edge recording
- Support three-level user, authorized user and password, HTTPS encryption, IEEE 802.1x access control and IP address filtering
- Support dual-stream technology
- Support H.264/MJPEG/MPEG4 (H.264: Baseline/Main/High Profile),; real-time output resolution HDTV1080p (SMPTE274M Standard), 960p and HDTV720p (SMPTE296M Standard)
- 1 audio input and 1 audio output

PTZ Function

- 360° endless pan range and -15°-90° tilt range
- Up to 240°/s pan preset speed and 200°/s tilt preset speed
- 0.1° -160°/s manual pan speed and 0.1° -120°/s manual tilt speed
- 300 presets programmable; preset image freezing capability
- 8 patrols, up to 32 presets per patrol
- 4 patterns, with the recording time not less than 10 min per pattern
- Support proportional zoom and park action

Application Scenario

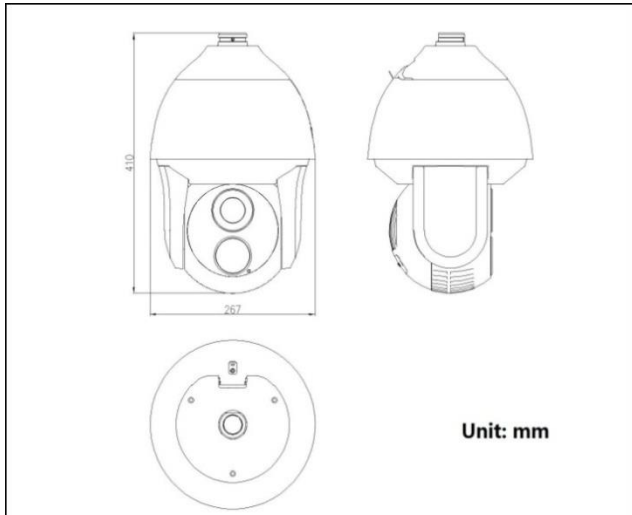
Thermal + Optical Bi-spectrum network speed dome can be widely applied in scenarios with low visibility, zero visible light and strong light interference. It has good performance in large-scale scenarios such as airports, harbors, oil fields, borders, forests, grasslands, scenic sights, military installations, etc.

Specification

Model		DS-2TD4035D-25, DS-2TD4035D-50		
Parameter		Thermal + Optical Bi-spectrum Network Speed Dome		
Thermal Module	Image sensor	Vanadium Oxide Uncooled Focal Plane Detectors		
	Max. Resolution	384 × 288		
	Response waveband	8~14μm		
	NETD	< 50mk(@25°C,F#=1.0)		
	MRTD	MRTD < 100mk(@25°C,F#=1.0)		
	MRTD	0.6mrad		
	Reference Object Size	Human: 1.8*0.5m	Vehicle: 1.4*4.0m	
	Lens (focal length)	25mm	50mm	
	Detection range (Vehicles)	1533m	3067m	
	Detection range (Humans)	500m	1000m	
	Recognition range (Vehicles)	383m	767m	
	Recognition range (Humans)	125m	250m	
	Identification range (Vehicles)	192m	383m	
	Identification range (Humans)	63m	125m	
	Field angle	21.7°x16.4°	11.0°x8.2°	
F number	1.0	1.0		
Image Setting	Brightness, AGC, DDE, FFC adjustable via client software or web browser			
Color Palette	White Hot, Black Hot, Fusion1, Rainbow, Fusion2, Ironbow1, Ironbow2, Sepia, Color1, Color2, Ice Fire, Rain, Red Hot, Green Hot			
PTZ	Pan range	360° endless		
	Pan speed	Pan Manual Speed: 0.1°-160°/s Pan Preset Speed: 240°/s		
	Tilt range	-15°-90° (auto flip)	-5°-90° (auto flip)	
	Tilt speed	Tilt Manual Speed: 0.1°-120°/s Tilt Preset Speed: 200°/s		
	Proportional zoom	Support		
	Number of preset	300		
	Patrol	8 patrols, up to 32 presets per patrol		
	Pattern	4 patterns, with the recording time not less than 10 minutes per pattern		
	Power-off memory	Support		
	Park action	Preset / Patrol / Pattern / Pan scan/Tilt scan/Random scan/Frame scan/Panorama scan		
	PTZ position display	On / Off		
	Preset freezing	Support		
	Scheduled task	Preset / Patrol / Pattern / Pan scan/Tilt scan/Random scan/Frame scan/Panorama scan/Dome reboot /Dome adjust /Aux output		
	Infrared	IR distance	150m	
		IR intensity	Automatically adjusted, depending on the zoom ratio	
Network	Max. image resolution	1920×1080 (visible light), 384×288(infrared)		
	Main stream	50Hz: 25fps(1920×1080), 25fps(1280×960), 25fps(1280×720) (visible light) 60Hz: 30fps(1920×1080), 30fps(1280×960), 30fps(1280×720) (visible light) 50Hz: 25fps(384×288) (thermal)		
	Sub stream	50Hz: 25fps(704×576), 25fps(352×288), 25fps(176×144) 60Hz: 30fps(704×480), 30fps(352×240), 30fps(176×120) 50Hz: 25fps(384×288) (thermal)		
	Video compression	H.264/MJPEG/MPEG4, H.264 encoding with Baseline/Main/High Profile		
	Audio compression	G.711u/G.711a/G.722.1/MP2L2/G726/PCM		
	Protocols	IPv4/IPv6,HTTP,HTTPS,802.1x,Qos,FTP,SMTP,UPnP,SNMP,DNS,DDNS,NTP,RTSP,RTCP,UDP,IGMP,ICMP,DHCP,PPPoE,Bonjour		
	Simultaneous live view	Up to 20		
	User/Host level	Up to 32 users, 3 levels: Administrator, Operator, User		
	Security measures	User authentication (ID and PW), MAC address binding, HTTPS encryption, IEEE 802.1x access control, IP address filtering		
	Alarm input	7 inputs (0-5VDC)		
Integration	Alarm output	2 relay outputs, alarm response actions configurable		
	Alarm action	Preset/Patrol/Pattern/SD recording/Relay output/Smart capture/FTP upload/Email linkage		
	Audio input	1 Mic in/Line in interface. Line input: 2-2.4V[p-p], output impedance:1KΩ±10%		
	Audio output	Line level, impedance: 600Ω		
	Ethernet	1 RJ45 10M/100M Self-adaptive Ethernet interface		
	SD memory card	Built-in Micro SD card slot, support Micro SD/SDHC/SDXC card (up to 64G), support manual/alarm recording		
	Analog video output	1.0V[p-p] / 75Ω, PAL(or NTSC), BNC		
	RS485 protocols	Half-duplex; HIKVISION, PELCO-P, PELCO-D, self-adaptive		
	Application programming	Open-ended API, support ONVIF, PSIA, CGI, HIKVISION SDK and third-party management platform		
	Client	iVMS-4200		
	Web browser	IE7+, Chrome1.8+, Firefox5.0+, Safari5.02+		
	General	Menu language	Chinese/English	
Power		AC24V 60W max		
Working temperature		24 VAC -40 °C -60 °C (-40°F -140°F)		
Humidity		90% or less		
Protection level		IP66 TVS 6000V Lightning protection, surge protection, voltage transient protection		
Mount option		Various options, choose according to scenarios		
Dimensions	Φ266.6(mm)×365.2(mm)			
Weight	8kg			

REVISION No.: 050302151126

Dimensions



Order Models

- DS-2TD4035D-25 AC24V
- DS-2TD4035D-50 AC24V

Accessories



DS-1602ZJ Long-arm wall mount



DS-1602ZJ-Pole Pole mount



DS-1602ZJ-corner Corner mount



DS-1602ZJ-Box Power box mount