

## DS-2DE5220W-AE(3) 2MP 20X Network PTZ Dome Camera



Hikvision DS-2DE5220W-AE(3) PTZ Dome Cameras are able to capture high quality images in low light environment with its black anti-reflective glass.

Embedded with 1/2.8" progressive scan CMOS chip makes DWDR and 1920×1080 real-time resolution possible. With the 20X optical zoom lens, the camera offers more details over expansive areas.

Hikvision DS-2DE5220W-AE(3) PTZ Dome Cameras also features a wide range of functions, including intrusion detection, line crossing detection and audio exception, benefitting users with great improvement on security efficiency, more importantly, with key events / objects being recorded for further forensic needs.

### Key Features

- 1/2.8" Progressive Scan CMOS
- 1920×1080
- 20X Optical Zoom
- DWDR
- 3D intelligent positioning function
- Support cloud P2P
- 24VAC & PoE (802.3at, class4)



## Function Description

### Basic function

- High performance CMOS, up to 1920×1080 resolution.
- Support 960P@60fps, 720P@60fps
- $\pm 0.1^\circ$  Preset Accuracy.
- ONVIF(Open Network Video Interface Forum), CGI(Common Gateway Interface), PSIA(Physical Security Interoperability Alliance), to ensure greater interoperability between different platforms and compatibility.
- 3D intelligent positioning function.
- 3D DNR.
- IP66 ,IK10 Standard(Only for –AE outdoor dome).
- 2 alarm inputs and 1 alarm outputs.
- 1 audio input and 1 audio output.

### Smart Function

- Smart image processing: support defog, HLC/BLC.
- Smart codec: low bit rate, ROI.
- Smart detection: support intrusion detection, line crossing detection, audio exception detection.

### Camera function

- Auto iris, auto focus, auto white balance, backlight compensation and auto day & night switch.
- Min. Illumination: Color: 0.05Lux @ (F1.6, AGC ON), B/W: 0.01Lux @ (F1.6, AGC ON).
- Support 8 privacy masks.

### PTZ functions

- 360° endless pan range and -5°-90° tilt range
- 300°/s Pan Preset Speed and 200°/s Tilt Preset Speed
- 0.1°-250°/s Manual Pan Speed and 0.1°-150°/s Manual Tilt Speed
- 300 presets programmable; preset image freezing capability
- 8 patrols, up to 32 presets per patrol Park action.
- Power-off memory: restore PTZ & Lens status after reboot.

### Network function

- H.264/MJPEG video compression.
- H.264 encoding with Baseline/Main/High profile.
- ROI(Region of Interest) encoding.
- Built-in Web server.
- Onboard storage, up to 128GB.
- Support up to 8 NAS storage; Edge recording (transmit the videos from SD card to the NAS after network resumed).
- HTTPS encryption and IEEE 802.1X port-based network access control.
- Support three streams.
- Multiple network protocols supported: IPv4/Ipv6, HTTP, HTTPS, 802.1X, QoS, FTP, SMTP, UPnP, SNMP, DNS, DDNS, NTP, RTSP, RTP, TCP, UDP, IGMP, ICMP, DHCP, PPPoE.

## Specifications

<b>Model</b>	<b>DS-2DE5220W-AE(3)</b>
<b>Camera Module</b>	
Image Sensor	1/2.8" Progressive Scan CMOS
Min. Illumination	F1.6, AGC On: Color: 0.05 lux, B/W : 0.01 lux,
Max. Image Resolution	1920×1080
Focal Length	4.7-94mm, 20x
Digital Zoom	16X
Zoom Speed	Approx.2.7s(Optical Wide~Tele)
Angle of View	61.4-2.9 degree (Wide~Tele)
Min. Working Distance	10~1,500mm(Wide~Tele)
Aperture Range	f1.6 -f3.5
Focus Mode	Auto / Semiautomatic / Manual
DWDR	Support
Shutter Time	1-1/10,000s
AGC	Auto / Manual
White Balance	Auto / Manual /ATW/Indoor/Outdoor/Daylight lamp/Sodium lamp
Day & Night	IR Cut Filter
Privacy Mask	8 privacy masks programmable
Enhancement	3D DNR, BLC
<b>Pan and Tilt</b>	
Range	Pan:360° endless; Tilt: -5°~90°(Auto Flip)
Speed	Pan Manual Speed: 0.1°~250°/s, Pan Preset Speed: 300°/s Tilt Manual Speed: 0.1°~150°/s, Tilt Preset Speed: 200°/s
Number of Preset	300
Patrol	8 patrols, up to 32 presets per patrol
Pattern	4 pattern scans, record time over 10 minutes for each scan
Park Action	Preset / Patrol / Pattern / Pan scan / Tilt scan / Random scan / Frame scan / Panorama scan
Scheduled Task	Auto scan / Frame scan / Random scan / Patrol / Pattern / Preset / Panorama scan / Tilt scan / Dome reboot / Dome adjust / Aux output
<b>Features</b>	
Detection	Intrusion detection, Line crossing detection, Audio exception detection, Motion detection
ROI encoding	Support
<b>Alarm</b>	
Alarm I/O	2/1
Alarm Trigger	Tampering alarm, Network disconnect, IP address conflict, Storage exception
Alarm Action	Preset, Patrol, Pattern, Recording, Relay output, Upload center, Upload FTP, Email linkage

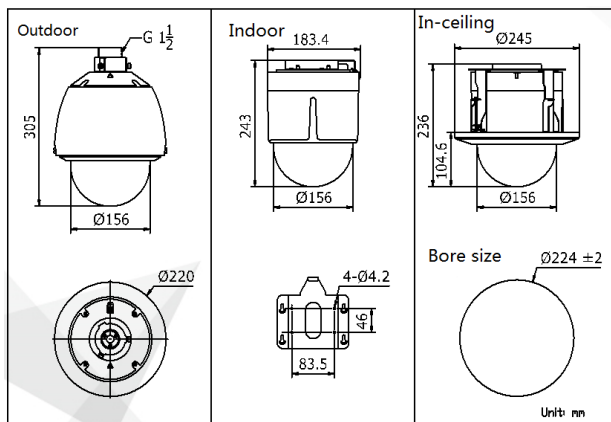
<b>Input/Output</b>	
Audio Input	1 Mic in/Line in interface, line input: 2-2.4V[p-p]; output impedance: 1K $\Omega$ , $\pm$ 10%
Audio Output	1 Audio output interface, line level, impedance: 600 $\Omega$
<b>Network</b>	
Ethernet	10Base-T / 100Base-TX, RJ45 connector
Stream	Support three streams
Main Stream	50Hz:25fps (1920 $\times$ 1080,1280 $\times$ 960,1280 $\times$ 720), 50fps (1280 $\times$ 960,1280 $\times$ 720) ; 60Hz: 30fps(1920 $\times$ 1080,1280 $\times$ 960,1280 $\times$ 720), 60fps (1280 $\times$ 960,1280 $\times$ 720)
Sub Stream	50Hz:25fps(704 $\times$ 576,640 $\times$ 480,352 $\times$ 288);60Hz:30fps(704 $\times$ 480,640 $\times$ 480,352 $\times$ 240)
Three Stream	50Hz:25fps (1920 $\times$ 1080,1280 $\times$ 960,1280 $\times$ 720,704 $\times$ 576,640 $\times$ 480,352 $\times$ 288); 60Hz: 30fps(1920 $\times$ 1080,1280 $\times$ 960,1280 $\times$ 720,704 $\times$ 480,640 $\times$ 480,352 $\times$ 240)
Image Compression	H.264/MJPEG
Audio Compression	G.711ulaw/G.711alaw/G.726/MP2L2/G.722
Protocols	IPv4/IPv6, HTTP, HTTPS, 802.1X, QoS, FTP, SMTP, UPnP, SNMP, DNS, DDNS, NTP, RTSP, RTP, TCP, UDP, IGMP, ICMP, DHCP, PPPoE
Simultaneous Live View	Up to 20 users
Mini SD Memory Card	Support up to 128GB Micro SD/SDHC/SDXC card. Support Edge recording
User/Host Level	Up to 32 users,3 Levels: Administrator, Operator and User
Security Measures	User authentication (ID and PW); Host authentication (MAC address); IP address filtering
<b>System Integration</b>	
Application programming	Open-ended API, support ONVIF, PSIA and CG , Support cloud P2P
Web Browser	IE 7+, Chrome 18 +, Firefox 5.0 +, Safari 5.02 +
Power	AC 24V and PoE (802.3at, class4) Max.: 18W
Working Temperature	-AE: -30 $^{\circ}$ C to 65 $^{\circ}$ C (-22 $^{\circ}$ F to 149 $^{\circ}$ F) -AE3: -10 $^{\circ}$ C to 50 $^{\circ}$ C (14 $^{\circ}$ F to 122 $^{\circ}$ F)
Humidity	90% or less
Protection Level	IP66, IK10 Standard ( - AE outdoor camera); TVS 4000V Lightning Protection, Surge Protection and Voltage Transient Protection
Certification	FCC, CE, UL, RoHS, IEC/EN 61000, IEC/EN 55022, IEC/EN 55024, IEC /EN60950-1
Dimensions	$\Phi$ 220 $\times$ 305mm(Outdoor) $\Phi$ 183.4 $\times$ 243mm(Indoor) $\Phi$ 245 $\times$ 236mm (In-ceiling)
Weight (approx.)	3kg (6.61lbs)
Mount Option	Long-arm wall mount: DS-1602ZJ; Corner mount: DS-1602ZJ-corner; Pole Mount: DS-1602ZJ-pole; Power box mount:DS-1602ZJ-box;

## Order Models

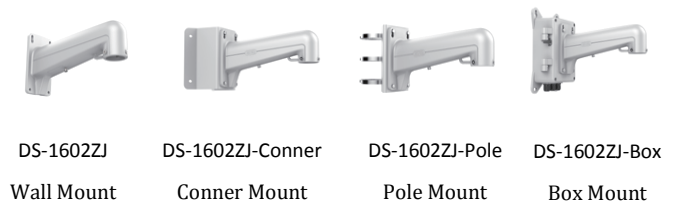
- DS-2DE5220W-AE, PoE(802.3at, class4), 24VAC, Outdoor, IP66, IK10
- DS-2DE5220W-AE3, PoE(802.3at, class4), 24VAC, Indoor

NOTE: indoor models support ceiling or in-ceiling mount.

## Dimensions



## Accessories



Distributed by



### Headquarters

No.555 Qianmo Road, Binjiang District,  
Hangzhou 310051, China  
T +86-571-8807-5998  
overseasbusiness@hikvision.com

### Hikvision Poland

T +48-22-460-01-50  
poland@hikvision.com

### Hikvision USA

T +1-909-895-0400  
sales.usa@hikvision.com

### Hikvision India

T +91-22-28469900  
sales@pramahikvision.com

### Hikvision UK

T +44-1628-9021-4  
support.uk@hikvision.com

### Hikvision Europe

T +31-23-5542770  
saleseuro@hikvision.com

### Hikvision Italy

T +39-0438-6902  
info.it@hikvision.com

### Hikvision Singapore

T +65-6684-4718  
sg@hikvision.com

### Hikvision Middle East

T +971-4-8816086  
salesme@hikvision.com

### Hikvision France

T +33(0)1-85-330-444  
info.fr@hikvision.com

### Hikvision Oceania

T +61-2-8599-4233  
salesau@hikvision.com

### Hikvision Russia

T +7-495-669-67-99  
saleru@hikvision.com

### Hikvision Spain

T +34-91-737-16-55  
info.es@hikvision.com

### Hikvision Hong Kong

T +852-2151-1761