

DS-2DE5130W-AE(3) 1.3MP 30X Network PTZ Dome Camera



Hikvision DS-2DE5130W-AE(3) PTZ Dome Cameras are able to capture high quality images in low light environment with its black anti-reflective glass. Embedded with 1/3" progressive scan CMOS chip makes DWDR and 1280 x 960 real-time resolution possible. With the 30X optical zoom lens, the camera offers more details over expansive areas. Hikvision DS-2DE5130W-AE(3) PTZ Dome Cameras also features a wide range of functions, including intrusion detection, line crossing detection and audio exception, benefitting users with great improvement on security efficiency, more importantly, with key events / objects being recorded for further forensic needs.

Key Features

- 1/3" Progressive Scan CMOS
- 1280 x 960@60fps
- 30X Optical Zoom
- DWDR
- 3D intelligent positioning function
- Support cloud P2P
- PoE(802.3at) / 24VAC power supply



Function Description

Basic function

- High performance CMOS, up to 1280 x 960 resolution.
- $\pm 0.1^\circ$ Preset Accuracy.
- ONVIF(Open Network Video Interface Forum), CGI(Common Gateway Interface), PSIA(Physical Security Interoperability Alliance), to ensure greater interoperability between different platforms and compatibility.
- 3D intelligent positioning function.
- 3D DNR.
- IP66, IK10 standard (Only for -AE outdoor dome).
- 2 alarm inputs and 1 alarm outputs.
- 1 audio input and 1 audio output.

Smart Function

- Smart image processing: support defog, HLC/BLC.
- Smart codec: low bit rate, ROI.
- Smart detection: support intrusion detection, line crossing detection, audio exception detection.

Camera function

- Auto iris, auto focus, auto white balance, backlight compensation and auto day & night switch.
- Min. Illumination: Color: 0.05Lux @ (F1.6, AGC ON), B/W: 0.01Lux @ (F1.6, AGC ON).
- Support 8 privacy masks.

PTZ functions

- 360° endless pan range and -5°-90° tilt range
- 300°/s Pan Preset Speed and 200°/s Tilt Preset Speed
- 0.1°-250°/s Manual Pan Speed and 0.1°-150°/s Manual Tilt Speed
- 300 presets programmable; preset image freezing capability
- 8 patrols, up to 32 presets per patrol Park action.
- Power-off memory: restore PTZ & Lens status after reboot.

Network function

- H.264/MJPEG video compression.
- H.264 encoding with Baseline/Main/High profile.
- ROI(Region of Interest) encoding.
- Built-in Web server.
- Onboard storage, up to 128GB.
- Support up to 8 NAS storage; Edge recording (transmit the videos from SD card to the NAS after network resumed).
- HTTPS encryption and IEEE 802.1X port-based network access control.
- Support three streams.
- Multiple network protocols supported: IPv4/IPv6, HTTP, HTTPS, 802.1X, QoS, FTP, SMTP, UPnP, SNMP, DNS, DDNS, NTP, RTSP, RTP, TCP, UDP, IGMP, ICMP, DHCP, PPPoE.

Specifications

| | |
|-----------------------|---|
| Model | DS-2DE5130W-AE(3) |
| Camera Module | |
| Image Sensor | 1/3" Progressive Scan CMOS |
| Min. Illumination | F1.6, AGC On: Color: 0.05 lux, B/W : 0.01 lux, |
| Max. Image Resolution | 1280 x 960 |
| Focal Length | 4.3-129.0mm, 30x |
| Digital Zoom | 16X |
| Zoom Speed | Approx.3s(Optical Wide~Tele) |
| Angle of View | 57.4-2.8 degree (Wide~Tele) |
| Min. Working Distance | 10~1,500mm(Wide~Tele) |
| Aperture Range | F1.6-F5.0 |
| Focus Mode | Auto / Semiautomatic / Manual |
| DWDR | Support |
| Shutter Time | 1-1/10,000s |
| AGC | Auto / Manual |
| White Balance | Auto / Manual /ATW/Indoor/Outdoor/Daylight lamp/Sodium lamp |
| Day & Night | IR Cut Filter |
| Privacy Mask | 8 privacy masks programmable |
| Enhancement | 3D DNR, BLC |
| Pan and Tilt | |
| Range | Pan:360° endless; Tilt: -5°~90°(Auto Flip) |
| Speed | Pan Manual Speed: 0.1°~250°/s, Pan Preset Speed: 300°/s Tilt Manual Speed: 0.1°~150°/s, Tilt Preset Speed: 200°/s |
| Number of Preset | 300 |
| Patrol | 8 patrols, up to 32 presets per patrol |
| Pattern | 4 pattern scans, record time over 10 minutes for each scan |
| Park Action | Preset / Patrol / Pattern / Pan scan / Tilt scan / Random scan / Frame scan / Panorama scan |
| Scheduled Task | Auto scan / Frame scan / Random scan / Patrol / Pattern / Preset / Panorama scan / Tilt scan / Dome reboot / Dome adjust / Aux output |
| Features | |
| Detection | Intrusion detection, Line crossing detection, Audio exception detection, Motion detection |
| ROI encoding | Support |
| Alarm | |
| Alarm I/O | 2/1 |
| Alarm Trigger | Tampering alarm, Network disconnect, IP address conflict, Storage exception |
| Alarm Action | Preset, Patrol, Pattern, Recording, Relay output, Upload center, Upload FTP, Email linkage |

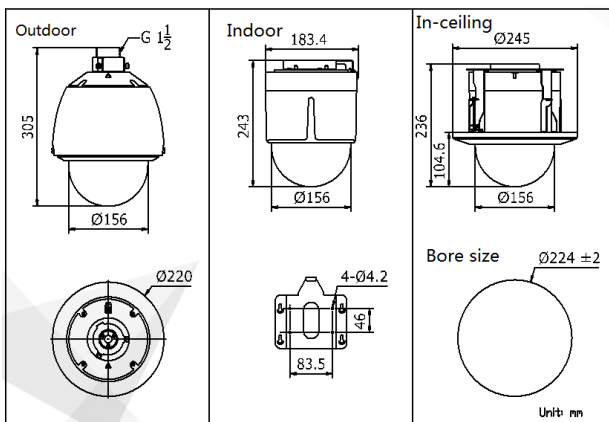
| Input/Output | |
|---------------------------|---|
| Audio Input | 1 Mic in/Line in interface, line input: 2-2.4V[p-p]; output impedance: 1K Ω , \pm 10% |
| Audio Output | 1 Audio output interface, line level, impedance: 600 Ω |
| Network | |
| Ethernet | 10Base-T / 100Base-TX, RJ45 connector |
| Stream | Support three streams |
| Main Stream | 50Hz:25fps (1280 \times 960,1280 \times 720), 50fps (1280 \times 960,1280 \times 720) ; 60Hz: 30fps(1280 \times 960,1280 \times 720), 60fps (1280 \times 960,1280 \times 720) |
| Sub Stream | 50Hz:25fps(704 \times 576,640 \times 480,352 \times 288);60Hz:30fps(704 \times 480,640 \times 480,352 \times 240) |
| Three Stream | 50Hz:25fps (1280 \times 960,1280 \times 720,704 \times 576,640 \times 480,352 \times 288); 60Hz: 30fps(1280 \times 960,1280 \times 720,704 \times 480,640 \times 480,352 \times 240) |
| Image Compression | H.264/MJPEG |
| Audio Compression | G.711ulaw/G.711alaw/G.726/MP2L2/G.722 |
| Protocols | IPv4/IPv6, HTTP, HTTPS, 802.1X, QoS, FTP, SMTP, UPnP, SNMP, DNS, DDNS, NTP, RTSP, RTP, TCP, UDP, IGMP, ICMP, DHCP, PPPoE |
| Simultaneous Live View | Up to 20 users |
| Mini SD Memory Card | Support up to 128GB Micro SD/SDHC/SDXC card. Support Edge recording |
| User/Host Level | Up to 32 users,3 Levels: Administrator, Operator and User |
| Security Measures | User authentication (ID and PW); Host authentication (MAC address); IP address filtering |
| System Integration | |
| Application programming | Open-ended API, support ONVIF, PSIA and CG , Support cloud P2P |
| Web Browser | IE 7+, Chrome 18 +, Firefox 5.0 +, Safari 5.02 + |
| Power | AC 24V and PoE (802.3at, class4) Max.: 18W |
| Working Temperature | -AE: -30 $^{\circ}$ C to 65 $^{\circ}$ C (-22 $^{\circ}$ F to 149 $^{\circ}$ F) -AE3: -10 $^{\circ}$ C to 50 $^{\circ}$ C (14 $^{\circ}$ F to 122 $^{\circ}$ F) |
| Humidity | 90% or less |
| Protection Level | IP66, IK10 Standard (- AE outdoor camera); TVS 4000V Lightning Protection, Surge Protection and Voltage Transient Protection |
| Certification | FCC, CE, UL, RoHS, IEC/EN 61000, IEC/EN 55022, IEC/EN 55024, IEC /EN60950-1 |
| Dimensions | Φ 220 \times 305mm(Outdoor) Φ 183.4 \times 243mm(Indoor) Φ 245 \times 236mm (In-ceiling) |
| Weight (approx.) | 3kg (6.61lbs) |
| Mount Option | Long-arm wall mount: DS-1602ZJ; Corner mount: DS-1602ZJ-corner; Pole Mount: DS-1602ZJ-pole; Power box mount:DS-1602ZJ-box; |

Order Models

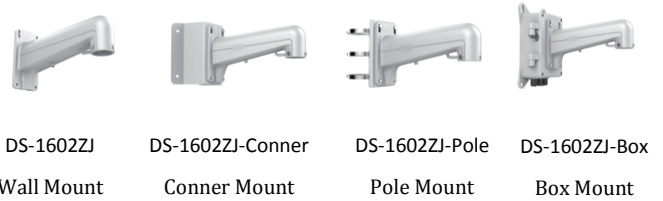
- DS-2DE5130W-AE, AC24V, PoE (802.3at, class4), Outdoor, IP66, IK10
- DS-2DE5130W-AE3, AC24V, PoE (802.3at, class4), Indoor

NOTE: indoor models support ceiling or in-ceiling mount.

Dimensions



Accessories



Distributed by



Headquarters

No.555 Qianmo Road, Binjiang District,
Hangzhou 310051, China
T +86-571-8807-5998
overseasbusiness@hikvision.com

Hikvision Poland

T +48-22-460-01-50
poland@hikvision.com

Hikvision USA

T +1-909-895-0400
sales.usa@hikvision.com

Hikvision India

T +91-22-28469900
sales@pramahikvision.com

Hikvision UK

T +44-1628-9021-4
support.uk@hikvision.com

Hikvision Europe

T +31-23-5542770
saleseuro@hikvision.com

Hikvision Italy

T +39-0438-6902
info.it@hikvision.com

Hikvision Singapore

T +65-6684-4718
sg@hikvision.com

Hikvision Middle East

T +971-4-8816086
salesme@hikvision.com

Hikvision France

T +33(0)1-85-330-444
info.fr@hikvision.com

Hikvision Oceania

T +61-2-8599-4233
salesau@hikvision.com

Hikvision Russia

T +7-495-669-67-99
saleru@hikvision.com

Hikvision Spain

T +34-91-737-16-55
info.es@hikvision.com

Hikvision Hong Kong

T +852-2151-1761