

## DS-2CD63C5G0E(/RC)(-S/RC) 12 MP Network Fisheye Camera



DS-2CD63C5G0E(/RC)(-S/RC) is a fisheye network camera capable of providing a 360-degree panoramic image of its surveillance scene.

The progressive scan CMOS sensor provides high-resolution images of up to 4000 × 3000.

- 1/1.7" Progressive Scan CMOS
- Max. 4000 × 3000 @20fps
- Up to 14 live view display modes
- Digital WDR
- Built-in microphone
- Smart features  
6 behavior analyses, and 1 exception detection
- In-ceiling Mounting

### ▪ DORI

The DORI (detect, observe, recognize, identify) distance gives the general idea of the camera ability to distinguish persons or objects within its field of view. It is calculated based on the camera sensor specification and the criteria given by EN 62676-4: 2015.

DORI	Detect	Observe	Recognize	Identify
Distance(2 mm)	43.2 m	17.2 m	8.6 m	4.3 m



## Specifications

<b>Camera</b>	
Image Sensor	1/1.7" Progressive Scan CMOS
Min. Illumination	Color: 0.06 Lux @ (F2.4, AGC ON), B/W: 0.012 Lux @ (F2.4, AGC ON)
Shutter Speed	1 s to 1/100,000 s
Slow Shutter	Yes
Digital Noise Reduction	3D DNR
WDR	Digital WDR
<b>Lens</b>	
Focal Length	2 mm
Aperture	F 2.4
FOV	360°(In-ceiling mounting)
Lens Mount	M12
<b>Compression Standard</b>	
Video Compression	Main stream: H.265+/H.265/H.264+/H.264 Sub stream: H.265/H.264/MJPEG
H.264 Type	Baseline Profile/Main Profile/High Profile
H.264+	Main stream supports
H.265 Type	Main Profile
H.265+	Main stream supports
Video Bit Rate	32 Kbps to 16 Mbps
SVC	H.265 and H.264 support
<b>Smart Feature-set</b>	
Behavior Analysis	Line crossing detection, intrusion detection, region entrance detection, region exiting detection, unattended baggage detection, object removal detection
Exception Detection	Audio exception detection
Region of Interest	4 fixed regions for main stream and sub-stream
<b>Image</b>	
Max. Resolution	4000 × 3000
Main Stream Max. Frame Rate	50Hz: 20fps (4000 × 3000), 25fps (3000 × 3000, 2560 × 2560) 60Hz: 20fps (4000 × 3000), 30fps (3000 × 3000, 2560 × 2560)
Sub Stream Max. Frame Rate	50Hz: 20fps (720 × 720, 640 × 480) 60Hz: 20fps (720 × 720, 640 × 480)
Image Enhancement	BLC, HLC, defog, 3D DNR
Image Setting	Saturation, brightness, contrast, sharpness, AGC and white balance are adjustable by client software or web browser
Day/Night Switch	Day/Night/Auto/Schedule/Triggered by Alarm In (-S)
Picture Overlay	LOGO picture can be overlaid on video with 128 × 128 24bit bmp format
<b>Live View Display</b>	
Mount Type	Support in-ceiling mounting
Decoding Mode	Support hardware decoding and software decoding
Display Mode	14 display modes in total Software decoding:

	Fisheye view, 180 panorama view, 360 panorama view, 360 panorama + PTZ, 360 panorama + 3PTZ, 360 panorama + 6PTZ, 360 panorama + 8PTZ, 2PTZ, 4PTZ, fisheye + 3PTZ, fisheye +8 PTZ, half sphere, cylinder Hardware decoding: Fisheye view, 180 panorama view, panorama view, 4PTZ, 4PTZ fusion, fisheye + 3PTZ,
<b>Audio (-S)</b>	
Environment Noise Filtering	Yes
Audio Sampling Rate	8 kHz/16 kHz
Audio Compression	G.711/G.722.1/G.726/MP2L2/PCM
Audio Bit Rate	64Kbps(G.711)/16Kbps(G.722.1)/16Kbps(G.726)/32-160Kbps(MP2L2)
<b>Network</b>	
Network Storage	Support microSD/SDHC/SDXC card (256 G), local storage and NAS (NFS,SMB/CIFS), ANR
Alarm Trigger	Motion detection, video tampering alarm, network disconnected, IP address conflicted, illegal login, HDD full, HDD error
Protocols	TCP/IP, ICMP, HTTP, HTTPS, FTP, DHCP, DNS, DDNS, RTP, RTSP, RTCP, PPPoE, NTP, UPnP, SMTP, SNMP, IGMP, 802.1X, QoS, IPv6, UDP, Bonjour
Security Measure	Password protection, HTTPS encryption, IEEE 802.1x port-based network access control, IP address filter, basic and digest authentication for HTTP/HTTPS, WSSE and digest authentication for ONVIF
General Function	One-key reset, anti-flicker, heartbeat, mirror, password protection, privacy mask, watermark, IP address filter
Firmware Version	5.5.73
API	ONVIF (PROFILE S, PROFILE G), ISAPI
Simultaneous Live View	Up to 20 channels
User/Host	Up to 32 users. 3 user levels, administrator, operator and user
Client	iVMS-4200, iVMS-4500, Hik-Connect, iVMS-5200
Web Browser	IE8+, Chrome31.0-44, Firefox 30.0-51, Safari8.0+
<b>Interface</b>	
Communication Interface	1 RJ45 10M/100M/1000M self-adaptive Ethernet port
Audio (-S)	1 Audio input (line in, 3.5 mm), 1 audio output (line out, 3.5 mm); 2 built-in microphones, mono sound
Alarm (-S)	1-ch alarm input, max. 12 V; 1-ch alarm output, max 12 VDC, 0.5 A
On-board storage	Built-in micro SD/SDHC/SDXC slot, up to 256 GB
Reset Button	Yes
<b>General</b>	
Operating Conditions	-10 °C to +40 °C (14 °F to +104 °F), Humidity 95% or less (non-condensing)
Power Supply	12 VDC ± 20%, PoE (802.3af, class 3), two-core terminal block
Power Consumption	12 VDC, 0.5 A, max. 6 W PoE (802.3af, 36 to 57 V), 0.3 A to 0.2 A, max. 12 W
Material	Cover & trim ring: plastic, bottom base: metal
Dimensions	Φ165 × 67 mm (6.5" × 2.6")
Weight	Approx. 480 g (1.1 lbs)

## Available Model

DS-2CD63C5G0E/RC (2 mm), DS-2CD63C5G0E-S/RC (2 mm)

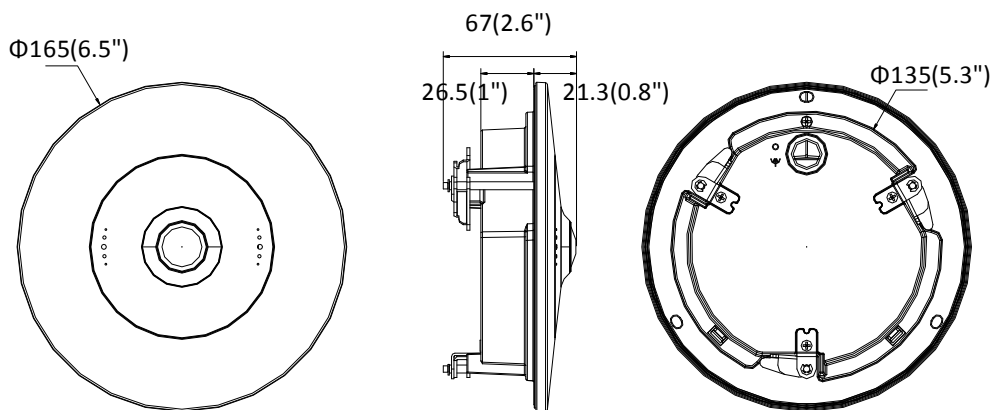
▪ **Typical Application**

Hikvision products are classified into three levels according to their anti-corrosion performance. Refer to the following description to choose for your using environment.

This model has NO SPECIFIC PROTECTION.

Level	Description
Top-level protection	Hikvision products at this level are equipped for use in areas where professional anti-corrosion protection is a must. Typical application scenarios include coastlines, docks, chemical plants, and more.
Moderate protection	Hikvision products at this level are equipped for use in areas with moderate anti-corrosion demands. Typical application scenarios include coastal areas about 2 kilometers (1.24 miles) away from coastlines, as well as areas affected by acid rain.
No specific protection	Hikvision products at this level are equipped for use in areas where no specific anti-corrosion protection is needed.

**Dimensions**



Unit: mm(inch)

Distributed by

**HIKVISION®****Headquarters**

No.555 Qianmo Road, Binjiang District,  
Hangzhou 310051, China  
T +86-571-8807-5998  
overseasbusiness@hikvision.com

**Hikvision USA**  
T +1-909-895-0400  
sales.usa@hikvision.com

**Hikvision Australia**  
T +61-2-8599-4233  
salesau@hikvision.com

**Hikvision India**  
T +91-22-28469900  
sales@pramahikvision.com

**Hikvision Canada**  
T +1-866-200-6690  
sales.canada@hikvision.com

**Hikvision Thailand**  
T +662-275-9949  
sales.thailand@hikvision.com

**Hikvision Europe**  
T +31-23-5542770  
sales.eu@hikvision.com

**Hikvision Italy**  
T +39-0438-6902  
info.it@hikvision.com

**Hikvision Brazil**  
T +55 11 3318-0050  
Latam.support@hikvision.com

**Hikvision Turkey**  
T +90 (216)521 7070- 7074  
sales.tr@hikvision.com

**Hikvision Malaysia**  
T +601-7652-2413  
sales.my@hikvision.com

**Hikvision UK & Ireland**  
T +01628-902140  
sales.uk@hikvision.com

**Hikvision South Africa**  
Tel: +27 (10) 0351172  
sale.africa@hikvision.com

**Hikvision France**  
T +33(0)1-85-330-450  
info.fr@hikvision.com

**Hikvision Kazakhstan**  
T +7-727-9730667  
nikia.panfilov@hikvision.ru

**Hikvision Vietnam**  
T +84-974270888  
sales.vt@hikvision.com

**Hikvision UAE**  
T +971-4-4432090  
salesme@hikvision.com

**Hikvision Singapore**  
T +65-6684-4718  
sg@hikvision.com

**Hikvision Spain**  
T +34-91-737-16-55  
info.es@hikvision.com

**Hikvision Tashkent**  
T +99-87-1238-9438  
uzb@hikvision.ru

**Hikvision Hong Kong**  
T +852-2151-1761  
info.hk@hikvision.com

**Hikvision Russia**  
T +7-495-669-67-99  
sateru@hikvision.com

**Hikvision Korea**  
T +82-[0]31-731-8817  
sales.korea@hikvision.com

**Hikvision Poland**  
T +48-22-460-01-50  
info.pl@hikvision.com

**Hikvision Indonesia**  
T +62-21-2933759  
Sales.Indonesia@hikvision.com

**Hikvision Colombia**  
sales.colombia@hikvision.com