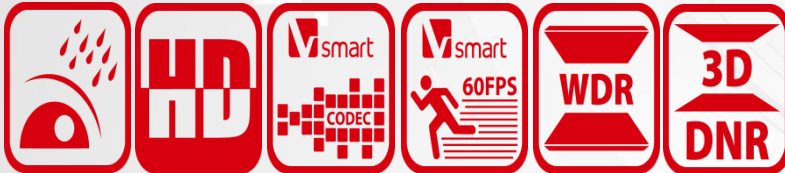


DS-2CD4526FWD-IZ(H) 2MP Low Light Smart Camera

DARKFIGHTER



The Darkfighter series ultra-low light Smart cameras are able to capture high quality colored images in dim light environment.

DS-2CD4526FWD-IZ(H) offers Full HD resolution with up to 60fps high frame rate, 120dB WDR, PoE, Defog, 3D DNR and complete Smart Feature-set to meet a wide variety of applications.

smart IPC

DS-2CD4526FWD-IZ(H) is Hikvision Smart IPC and features complete Smart functions including:

Smart Detection

Intrusion Detection, Line Crossing Detection, Object Left/Removal, Area Entering/Leaving, Scene Change Detection, Audio Surge Detection, Audio Loss Detection, Defocus Detection, Face Detection, Object Counting, etc.

Smart Codec

Smart Recording with dual-VCA, Low Bitrate, Low Latency, ROI enhancement, Multi-stream, Rotate Mode, Edge Recording, etc.

Smart Image Control

Support distortion correction

- 1/1.8" Progressive Scan CMOS
- Full HD1080p video
- Up to 60fps frame rate
- Ultra-low light
- Slow shutter
- 120dB WDR
- 3D DNR
- Up to 40m IR range
- Motorized lens with Smart Focus
- -H: built-in heater
- Audio/Alarm IO
- Support 128G on-board storage
- AC24V/DC12V/PoE
- IP66



Key Features

Smart

- 6 behavior analysis, 4 exception detections, 1 recognition, 1 statistic function.
- Smart recording: Support edge recording and dual-VCA.
- Smart encoding: Support low bit rate; low latency; ROI enhance encoding
- Smart lens options: AF lens

Image

- HD 1920 × 1080@60fps
- Supports image distortion correction
- Support rotate mode, suitable for environment as corridor.
- Support regional cropping, details can be seen with low bandwidth.
- Code smoothness setting for different requirements of image quality and fluency.
- Support H.264+/H.264/MJPEG/MPEG4 video compression, multi-level video quality configuration; support Basic/Main/High Profile H.264 encoding complexity.
- Multiple OSD color: Black & white self-adaptive; Custom
- 120dB WDR is supportable for backlight environment.
- Support defog, BLC, EIS.

Infrared

- Irradiation distance is up to 40m(2.8~12mm)/50m(8~32mm)
- Smart IR, prevent over-exposure in close distance

System

- Support ONVIF (profile S/profile G), CGI, PSIA, ISAPI protocol.
- Support three streams, and Support 20 channels live view at the same time.
- Anti-surge, anti-static protection level.
- Smart heater for starting in extra low temperature (-H optional)
- Anti-thunder, anti-surge, anti-static, IP66 & IK10 protection level.

Interface

- Support standard 128G Micro SD/SDHC/SDXC card storage.
- Support 10M/100M Ethernet Port.
- Support Audio I/O, support dual channel stereo audio.
- Support Alarm I/O
- Support CVBS analog output (4CIF resolution)

Security

- Support three-level user authentication management, user and password authorization, IP address filtering and anonymous access.
- Support security certificate as HTTPS, SSH; support creating certificate.
- Basic and digest authentication is supportable in IE configuration
- Lock user IP for many times error login

DS-2CD4526FWD-IZ(H) 2MP Low Light Smart Camera

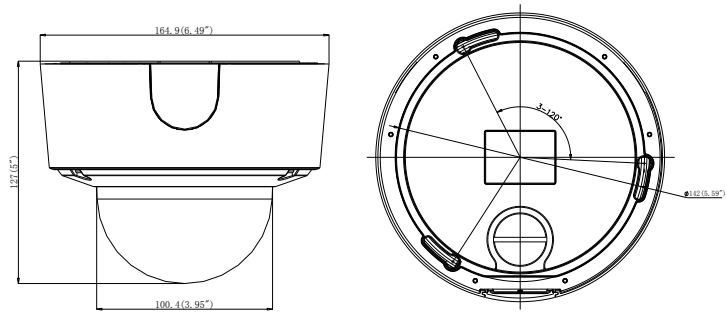
DARKFIGHTER



Specification

| Camera | |
|-----------------------------|---|
| Image Sensor | 1/1.8" Progressive Scan CMOS |
| Min. Illumination | 0.002 Lux @ (F1.2, AGC ON), 0.0027 Lux @ (F1.4, AGC ON), 0 Lux with IR |
| Shutter Speed | 1s ~ 1/100,000s |
| Slow Shutter | Support |
| Lens | 2.8~12mm @ F1.4, 92°~32° |
| Lens Mount | Φ 14 |
| Angle Adjustment | Pan: 0° ~355° , tilt: 0° ~75° ,rotation: 0° ~355° |
| Auto-iris | DC drive |
| Day & Night | IR Cut Filter |
| WDR | 120dB |
| Compression Standard | |
| Video Compression | H.264+/H.264/MPEG4/MJPEG |
| H.264 Type | Baseline Profile / Main Profile / High Profile |
| Video Bit Rate | 32 Kbps – 16 Mbps |
| Audio Compression | G.711/G.722.1/G.726/MP2L2 |
| Audio Bit Rate | 64Kbps(G.711) / 16Kbps(G.722.1) / 16Kbps(G.726) / 32-128Kbps(MP2L2) |
| Image | |
| Max. Resolution | 1920 x 1080 |
| Frame Rate | 50Hz: 50fps(1920 x 1080, 1280 x 960, 1280 x 720) 60Hz: 60fps (1920 x 1080, 1280 x 960, 1280 x 720) |
| Third Stream | Independent with Main Stream and Sub Stream, up to 50Hz: 25fps(1920 x 1080); 60Hz: 30fps (1920 x 1080) |
| Image Enhancement | BLC/3D DNR/ROI/Defog/EIS |
| Image Setting | Rotate Mode, Saturation, Brightness, Contrast, Sharpness adjustable by client software or web browser |
| Regional Cropping | Support |
| Distortion Correction | Support |
| Day/Night Switch | Auto/Schedule/Triggered by Alarm In |
| Picture Overlay | LOGO picture can be overlaid on video with 128x128 24bit bmp format |
| Network | |
| Network Storage | NAS (Support NFS,SMB/CIFS), ANR |
| Alarm Trigger | Motion detection, Tampering alarm, Network disconnect, IP address conflict, Storage exception |
| Protocols | TCP/IP, UDP, ICMP, HTTP, HTTPS, FTP, DHCP, DNS, DDNS, RTP, RTSP, RTCP, PPPoE, NTP, UPnP, SMTP, SNMP, IGMP, 802.1X, QoS, IPv6, Bonjour |
| Security | User Authentication, Watermark, IP address filtering, Anonymous access |
| Standard | ONVIF(PROFILE S,PROFILE G),PSIA,CGI,ISAPI |
| Interface | |
| Audio | 1-ch audio in(Mic in/Line in)/out interface |
| Communication Interface | 1 RJ45 10M/100M Ethernet port, 1 RS-485 interface |
| Alarm | 1 input, 1 output (up to DC24V 1A or AC110V 500mA) |
| Video Output | 1Vp-p composite output (75 Ω/BNC) |
| On-board storage | Built-in Micro SD/SDHC/SDXC slot, up to 128 GB |
| Reset Button | Yes |

Dimensions



Audio

| | |
|-----------------------------|----------------------------------|
| Environment Noise Filtering | Support |
| Audio I/O | Support dual audio track, stereo |
| Audio Sampling Rate | 16kHz / 32kHz / 44.1kHz / 48kHz |

Smart Feature-set

| | |
|-------------------------|---|
| Behavior Analysis | Line crossing detection, Intrusion detection, Region entrance, Region exiting, Unattended baggage, Object removal |
| Line Crossing Detection | Cross a pre-defined virtual line |
| Intrusion Detection | Enter and loiter in a pre-defined virtual region |
| Region Entrance | Enter a pre-defined virtual region from the outside place |
| Region Exiting | Exit from a pre-defined virtual region |
| Unattended Baggage | Objects left over in the pre-defined region such as the baggage, purse, dangerous materials |
| Object Removal | Objects removed from the pre-defined region, such as the exhibits on display. |
| Exception Detections | Scene change detection, Sudden audio increase/decrease detection, Audio loss detection, Defocus detection |
| Recognition | Face detection recognition |
| Statistics | Object Counting (Entrance and Exit object number is accounted and showed on screen in real time) |

General

| | |
|----------------------|---|
| Protection Level | IP66 |
| Impact Protection | IK10 |
| Operating Conditions | -30°C – 60 °C (-22 °F – 140 °F), Humidity 95% or less (non-condensing); -H: -40°C – 60 °C |
| Power Supply | 24V AC ± 10%, 12 V DC ± 10%, PoE (802.3af); -H: 24V AC ± 10%, 12 V DC ± 10%, PoE (802.3at); |
| IR Distance | Up to 40m |
| Power Consumption | Max. 12 W; -H: 17W |
| Dimensions | Φ 164.9×127 mm (Φ 6.49" × 5") |
| Weight | 2100 g (4.63 lbs) |

Order Models

DS-2CD4526FWD-IZ, DS-2CD4526FWD-IZH

Accessories



DS-1280ZJ-DM26
Junction box



DS-1281ZJ-DM26
Inclined ceiling mount



DS-1273ZJ-DM26
Wall mount



DS-1273ZJ-DM26-B
Wall mount with junction box



DS-1271ZJ-DM26
Pendant mount