

## DS-2AF5037

### H Series 5 Inch Analog PTZ Dome Camera



## Key features

### System function:

- 1/3" high performance CCD
- $\pm 0.1^\circ$  Preset Accuracy
- Self-adaptive to HIKVISION, Pelco-P/D protocol
- 3D intelligent positioning function
- Power-off memory function: restore PTZ & Lens status after reboot
- Built-in temperature sensor, with display of internal temperature
- Lightning protection, surge protection and voltage transient protection
- IP66 standard (outdoor dome)
- Impact Protection: IEC60068-2-75 test, Eh, 20J; EN50102, up to IK10
- RS-485 communication diagnosis
- Scheduled PTZ movement
- UTC(Up the Coax) function
- Smart tracking

### Camera function:

- Auto focus, auto white balance, backlight compensation and auto/manual day & night switch
- Privacy masks programmable
- 3D DNR, digital zoom
- Digital WDR

### PTZ function:

- 360° endless pan range and  $-5^\circ$ - $90^\circ$  tilt range
- 540°/s Pan Preset Speed and 400°/s Tilt Preset Speed
- 0.1°-300°/s Manual Pan Speed and 0.1°-240°/s Manual Tilt Speed
- 256 presets programmable; preset image freezing capability
- 8 patrols, up to 32 presets per patrol
- 4 patterns, with the total recording time not less than 10 minutes
- Proportional zoom function
- Park action: auto call up of PTZ movement, after a defined time of inactivity
- 2 alarm inputs and 2 alarm outputs(7 alarm inputs and 2 alarm outputs optional)

## Application Scenarios

It can be widely applied to places requiring wide-area monitoring display, such as rivers, forests, highways, railways, airports, ports, sentries, squares, parks, scenic sites, streets, stations, large venues, outside of residential areas, etc., and the auto tracking function can be applied to the perimeter protection scenes, e.g., the perimeter of airport, harbor, and residential community.

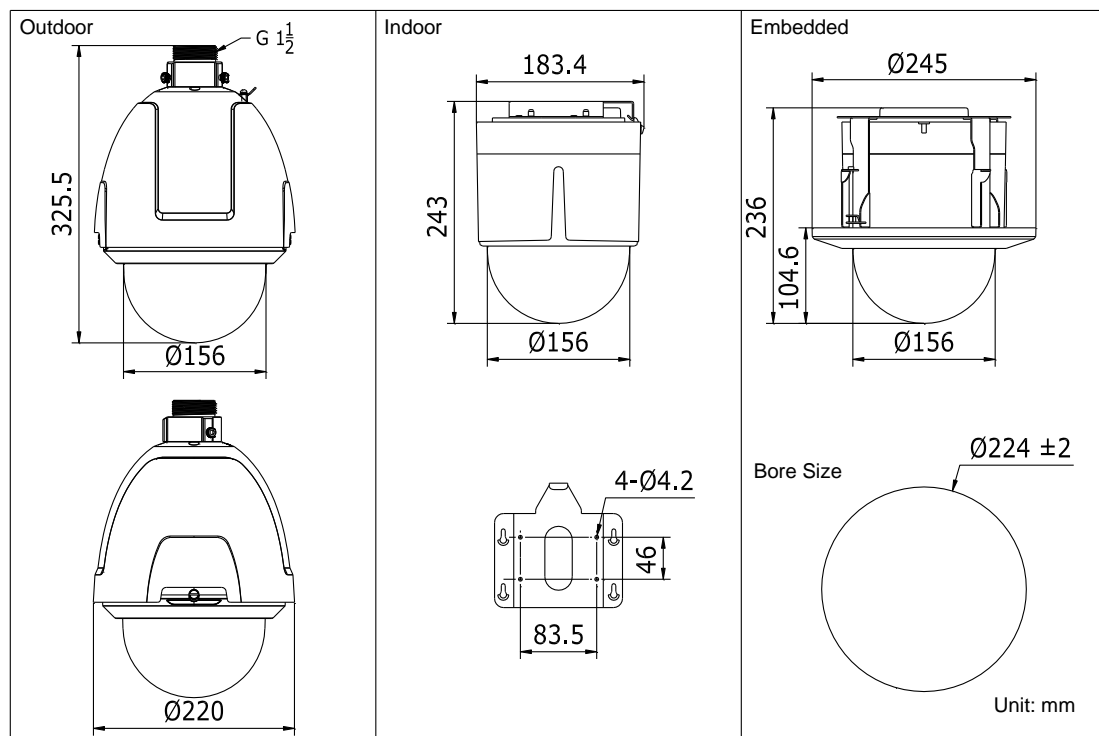
## Specifications

|                  |   |  |
|------------------|---|--|
| <b>Parameter</b> | <b>Model</b>                                  | <b>DS-2AF5037-A: PAL, 24VAC, Outdoor</b><br><b>DS-2AF5037-A3: PAL, 24VAC, Indoor</b><br><b>DS-2AF5037N-A: NTSC, 24VAC, Outdoor</b><br><b>DS-2AF5037N-A3: NTSC, 24VAC, Indoor</b><br><b>DS-2AF5037-D: PAL, 12VDC, Outdoor</b><br><b>DS-2AF5037-D3: PAL, 12VDC, Indoor</b><br><b>DS-2AF5037N-D: NTSC, 12VDC, Outdoor</b><br><b>DS-2AF5037N-D3: NTSC, 12VDC, Indoor</b> |
|                  | <b>H Series 5 Inch Analog PTZ Dome Camera</b> |  |
| <b>Camera</b>    | Image Sensor                                  | 1/3" CCD   |
|                  | Effective Pixel                               | PAL:976(H)×582(V)<br>NTSC:976(H)×494(V)  |
|                  | Horizontal Resolution                         | 700TVL   |
|                  | Signal System                                 | PAL /NTSC  |
|                  | Min. Illumination                             | Color: 0.02Lux/(F1.6, AGC ON), 0.0008Lux /(F1.6, AGC ON, IRE×256)<br>B/W: 0.002Lux/(F1.6, AGC ON), 0.00008Lux /(F1.6, AGC ON, IRE×256)   |
|                  | White Balance                                 | Auto / Manual / ATW / Indoor / Outdoor   |
|                  | AGC   | Auto / Manual  |
|                  | S / N Ratio                                   | ≥ 50dB   |
|                  | 3D DNR  | Support  |
|                  | Backlight Compensation                        | Support  |
|                  | Digital WDR                                   | Support  |
|                  | Shutter Time                                  | PAL: 1/3-1/10,000s<br>NTSC: 1/4-1/10,000s  |
|                  | Day & Night                                   | IR Cut Filter  |
|                  | Digital Zoom                                  | 16x  |
|                  | Privacy Mask                                  | 8 privacy masks programmable; a maximum of 8 zones can be masked simultaneously on the same video screen   |
| Focus Model      | Auto / Semiautomatic / Manual                 |  |
| <b>Lens</b>      | Focal Length                                  | 3.2-118.4mm, 37X   |
|                  | Zoom Speed                                    | Approx.3.0s(Optical Wide-Tele)   |
|                  | Angle of View                                 | 58-1.7 degree(Wide-Tele)   |

|                      |                                |  |
|----------------------|--------------------------------|--|
|                      | Min. Working Distance          | 10-1500mm (Wide-Tele)  |
|                      | Aperture                       | F1.6-F4.4  |
| <b>Pan and Tilt</b>  | Pan Range                      | 360° endless   |
|                      | Pan Speed                      | Pan Manual Speed: 0.1° -300°/s,<br>Pan Preset Speed: 540°/s  |
|                      | Tilt Range                     | -5°-90°(Auto Flip)   |
|                      | Tilt Speed                     | Tilt Manual Speed: 0.1°-240°/s,<br>Tilt Preset Speed: 400°/s   |
|                      | Proportional Zoom              | Rotation speed can be adjusted automatically according to zoom multiples   |
|                      | Number of Preset               | 256  |
|                      | Patrol                         | 8 patrols, up to 32 presets per patrol   |
|                      | Pattern                        | 4 patterns, with the total recording time not less than 10 minutes   |
|                      | Power-off Memory               | Support  |
|                      | Park Action                    | Preset / Patrol / Pattern / Pan scan / Tilt scan / Frame Scan / Random scan / Panorama scan                                  |
|                      | PTZ Position Display           | On / Off   |
|                      | Preset Freezing                | Support  |
|                      | Password Protection            | Support  |
|                      | Zone Scanning/Display          | Scanning within programmed zone, display zone title  |
|                      | Camera Title                   | Programmable title display   |
|                      | Compass                        | Support , the north can be set   |
|                      | Scheduled Task                 | Preset / Patrol / Pattern / Pan scan / Tilt scan / Frame Scan / Random scan / Panorama scan                                  |
|                      | RS-485 communication diagnosis | Support  |
|                      | Smart tracking                 | Support  |
| <b>Input/ Output</b> | Monitor Output                 | 1.0V[p-p] / 75Ω, NTSC (or PAL) composite, BNC  |
|                      | Alarm Input                    | 2(7 alarm inputs optional)   |
|                      | Alarm Output                   | 2 relay outputs, alarm response actions configurable   |
|                      | Alarm Action                   | Preset / Patrol / Pattern / Pan scan / Tilt scan / Random scan / Frame scan / Panorama scan<br>/ Relay output                |
|                      | RS-485 Interface               | Half-duplex mode<br>Self-adaptive HIKVISION, Pelco-P, Pelco-D protocol   |
|                      | UTC function                   | Self-adaptive PELCO_C, HIKVISION_C(need UTC controller)  |
| <b>General</b>       | Menu Language                  | English, Chinese   |
|                      | Power                          | 24VAC(for -A model); 12VDC(for -D model)<br>Outdoor dome: Max. 40W (Heater On), Max. 20W(Heater Off)<br>Indoor dome: Max.20W |
|                      | Working Temperature / Humidity | -30 °C-65°C(-22°F-149°F)(outdoor dome) / -10°C-50°C(14°F-122°F)(indoor dome )<br>90% or less                                 |

|   |  |
|---|--|
| Protection Level                              | IP66 standard (outdoor dome)<br>TVS 4,000V lightning protection, surge protection and voltage transient protection                   |
| Impact Protection                             | Outdoor: IEC60068-275Eh, 20J; EN50102, up to IK10<br>Indoor: IEC60068-275Eh, 10J; EN50102, up to IK09                                |
| Mounting                                      | Various mounting modes optional  |
| Dimensions                                    | Φ220×325.5mm (Φ8.66"×12.81")(Outdoor)<br>Φ183.4×243mm (Φ7.22"×9.57")(Indoor ceiling)<br>Φ245×236mm (Φ9.65"×9.29")(Indoor in-ceiling) |
| Weight (approx.)                              | 4Kg (8.82 lbs)   |
| Mount Option (only suitable for outdoor dome) | Long-arm wall mount: DS-1602ZJ; Corner mount: DS-1602ZJ-corner; Pole Mount: DS-1602ZJ-pole; Power box mount: DS-1602ZJ-box           |

## Dimensions



## Order models

- DS-2AF5037-A, PAL, 24VAC, outdoor
- DS-2AF5037-A3, PAL, 24VAC, indoor
- DS-2AF5037N-A, NTSC, 24VAC, outdoor
- DS-2AF5037N-A3, NTSC, 24VAC, indoor
- DS-2AF5037-D, PAL, 12VDC, outdoor
- DS-2AF5037-D3, PAL, 12VDC, indoor
- DS-2AF5037N-D, NTSC, 12VDC, outdoor

- DS-2AF5037N-D3, NTSC, 12VDC, indoor

## Accessories



DS-1602ZJ Long-arm Wall Mount Bracket