

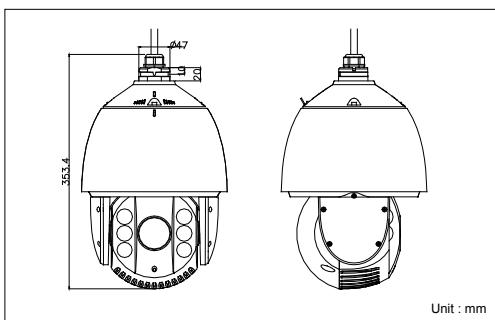
DS-2AE7158/7154(N) series 540TVL IR PTZ Dome Camera



Key features

- 1/4" Sony CCD
- 540TVL horizontal resolution
- 36X / 23X optical zoom, 16X digital zoom
- Up to 100m IR distance
- True Day/Night, Digital WDR
- 3D intelligent positioning

Dimensions



Accessories



DS-1601ZJ

DS-1601ZJ-corner

DS-1601ZJ-pole

DS-1634ZJ

Available models

DS-2AE7158-A: PAL, 24VAC, outdoor
DS-2AE7158N-A: NTSC, 24VAC, outdoor

DS-2AE7154-A: PAL, 24VAC, outdoor
DS-2AE7154N-A: NTSC, 24VAC, outdoor

	DS-2AE7158(N)-A	DS-2AE7154(N)-A
Camera		
Image Sensor	1/4" Sony CCD	
Effective Pixel	PAL: 752(H)×582(V), NTSC: 768(H)×494(V)	
Horizontal Resolution	Color: 540 TVL, B/W: 600 TVL	
Min. illumination	Color: 0.1Lux@(F1.6, AGC ON), 0 lux with IR B/W: 0.01Lux@(F1.6, AGC ON), 0 lux with IR	
White Balance	Auto / Manual / ATW / Indoor / Outdoor	
AGC	Auto / Manual	
S / N Ratio	≥ 50dB	
Digital Noise Reductio	High/Medium/Low/Off	
Wide Dynamic Range	128x(On/Off/Auto)	
Shutter Speed	PAL: 1 ~1/10,000s, NTSC: 1 ~1/10,000s	
Day & Night	IR Cut Filter	
Digital Zoom	16X	
Privacy Mask	8 privacy masks programmable, a um of 8 zones can be masked simultaneously on the same video screen	
Focus Model	Auto / Semiautomatic / Manual	
Lens		
Focal Length	3.4 ~122.4mm, 36X	3.84 ~88.32mm, 23X
Zoom Speed	Approx 5.4s(Optical Wide-Tele)	Approx 3.0s(Optical Wide-Tele)
Angle of View	57.8 ~1.7 degree(Wide-Tele)	50.2 ~2.44degree(Wide-Tele)
Min. Working Distance	10 ~1000mm (Wide-Tele)	
Aperture Range	F1.6 ~ F4.5	
Pan and Tilt		
Pan / Tilt Range	Pan: 360°endless; Tilt: -15° ~90° (Auto Flip)	
Pan / Tilt Speed	Pan Manual Speed: 0.1° ~160°/s, Pan Preset Speed: 240°/s Tilt Manual Speed: 0.1° ~120°/s, Tilt Preset Speed: 200°/s	
Proportional Zoom	Rotation speed can be adjusted automatically according to zoom multiples	
Number of Preset	256	
Patrol	8 patrols, up to 32 presets per patrol	
Pattern	4 patterns, with the total recording time not less than 10 minutes	
Power-off Memory	Support	
Park Action	Preset / Patrol / Pattern / Pan / Tilt / Auto / Random / Frame / Panorama scan	
PTZ Position Display	On/Off	
Compass	Support , the north can be set	
Scheduled Task	Preset / Patrol / Pattern / Pan / Tilt / Auto / Random / Frame / Panorama scan	
Infrared		
IR Range	Up to 100m	
IR irradiation angle	Automatically adjusted, depending on the zoom ratio	
Input/ Output		
Video Output	1.0V[p-p] / 75Ω, PAL / NTSC composite, BNC	
General		
RS-485 Protocols	HIKVISION, Pelco-P, Pelco-D, self-adaptive	
Power	24 VAC(-A model);12 VDC(-D model)max.30W(IR LED On,Heater On)max.24W(IR LED On,)max.15W(IR LED On,Heater Off)	
Working Temperature	-30°C ~65°C (-22°F ~149°F)	
Humidity	90% or less	
Protection Level	IP66 TVS 4,000V lightning protection, surge protection and voltage transient protection	
Dimensions	Φ245 × 399mm (Φ9.65" × 15.71")	
Weight	Approx. 5.5kg(12.13lbs)	
Mount Option	Long-arm wall mount: DS-1601ZJ; Pole Mount: DS-1601ZJ-pole;	Corner mount: DS-1601ZJ-corner; Power box mount:DS-1634ZJ