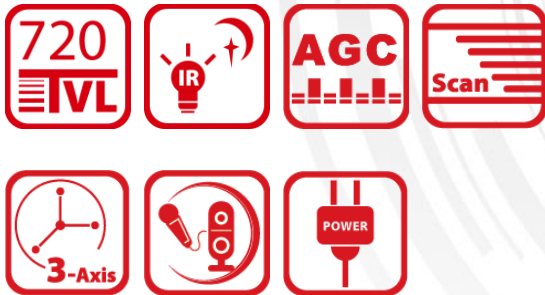


FAE-VC023P (N)-ITS 720TVL EXIR Mobile Turret Camera



Key Features

- 0.1Lux @(F1.2,AGC ON), 0 lux with IR
- 720TVL high definition
- Adopt wide-angle lens with wider monitoring coverage
- Adopt EXIR technology
- Support electronic shutter and AGC
- Patented universal regulating mechanism, easy to adjust
- Anti-vibration design and aviation port for mobile environments
- Suitable for mobile environments
- Up to IP4X protection level



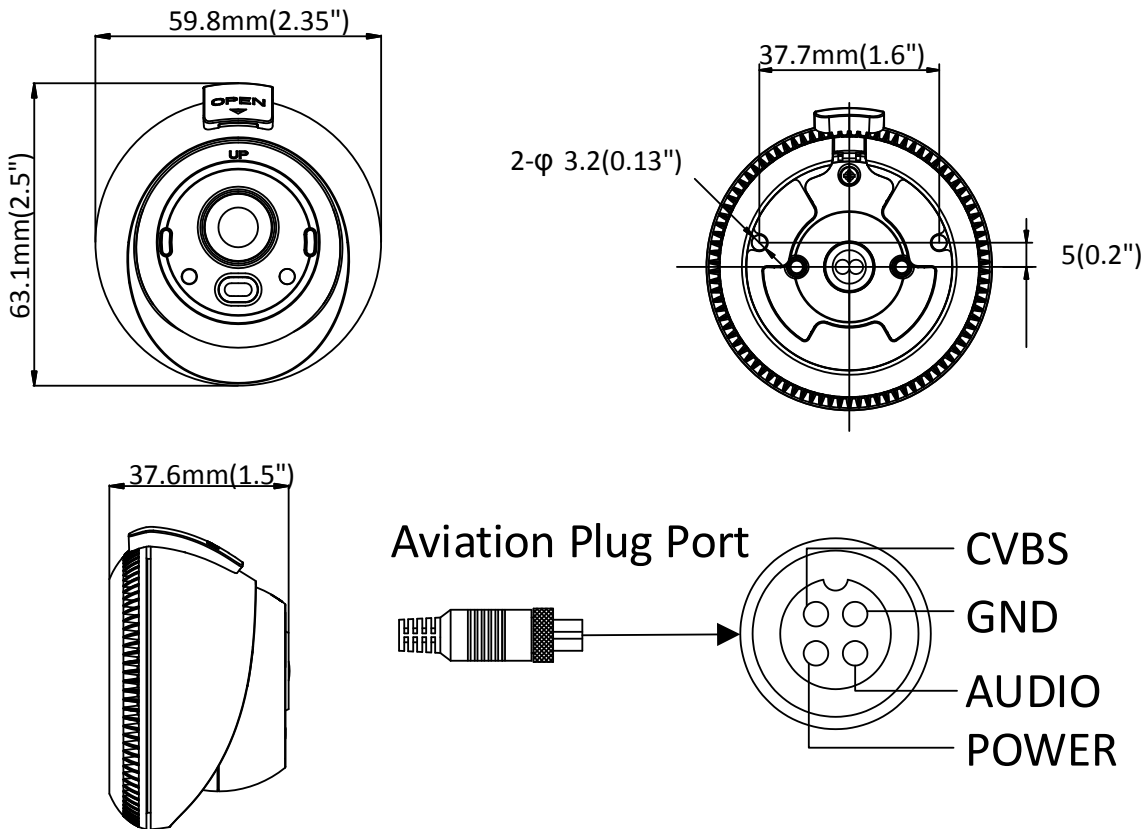
Specifications

Model	AE-VC023P-ITS	AE-VC023N-ITS
Camera		
Image Sensor	1.0 Mega Progressive Scan CMOS	
Signal System	PAL	NTSC
Resolution	1296(H)×732(V)	
Effective Pixels	1280(H)×720(V)	
Min. Illumination	0.1Lux @ (F1.2,AGC ON), 0 lux with IR	
Shutter Time	1/25(1/30)s to 1/50,000s	
Lens	2.1mm	
Lens Mount	M12	
Day & Night	Electronic	
Angle Adjustment	Pan: 0° to 360°; Tilt: 0° to 60°; Rotation: 0° to 360°	
Frame Rate	25fps	30fps
Horizontal Definition	720TVL	
Synchronization	Internal Synchronization	
Video Output	Aviation Port	
S/N Ratio	>62dB	
Interfaces		
Video Out	1Vpp Composite Output	
Audio In	Built-in Microphone	
Audio Out	1-ch, Aviation Port (Output Impedance: 1KΩ±10%)	
Aviation Plug	1: CVBS, 2: Audio, 3: Power, 4: GND	
General		
Working Temperature/Humidity	-30°C to 65°C (-22°F to 149°F), Humidity 90% or less (non-condensing)	
Power Supply	6VDC to 16VDC	
Power Consumption	MAX. 2.5W	
Protection Level	IP4X	
IR Range	3m	
Dimension	63.1mm×59.8mm×37.6mm (2.48"×2.35"×1.48")	
Weight	Approx. 400g (0.88lb)	

Order Models

AE-VC023P-ITS (2.1mm); AE-VC023P-ITS (2.8mm);
 AE-VC023N-ITS (2.1mm); AE-VC023N-ITS (2.8mm);

Dimensions



Unit:mm

Distributed by



Headquarters

No.555 Qianmo Road, Binjiang District,
 Hangzhou 310051, China
 T +86-571-8807-5998
 overseasbusiness@hikvision.com

Hikvision USA
 T +1-909-895-0400
 sales.usa@hikvision.com

Hikvision Europe
 T +31-23-5542770
 saleseuro@hikvision.com

Hikvision Middle East
 T +971-4-8816086
 salesme@hikvision.com

Hikvision Russia
 T +7-495-669-67-99
 saleru@hikvision.com

Hikvision India
 T +91-22-28469900
 sales@pramahikvision.com

Hikvision Italy
 T +39-0438-6902
 info.it@hikvision.com

Hikvision France
 T +33(0)1-85-330-444
 info.fr@hikvision.com

Hikvision Spain
 T +34-91-737-16-55
 info.es@hikvision.com

Hikvision Poland
 T +48-22-460-01-50
 poland@hikvision.com

Hikvision UK
 T +44-1628-9021-4
 support.uk@hikvision.com

Hikvision Singapore
 T +65-6684-4718
 sg@hikvision.com

Hikvision Oceania
 T +61-2-8599-4233
 salesau@hikvision.com

Hikvision Hong Kong
 T +852-2151-1761

Hikvision Canada
 T +1-909-895-0400
 sales.usa@hikvision.com