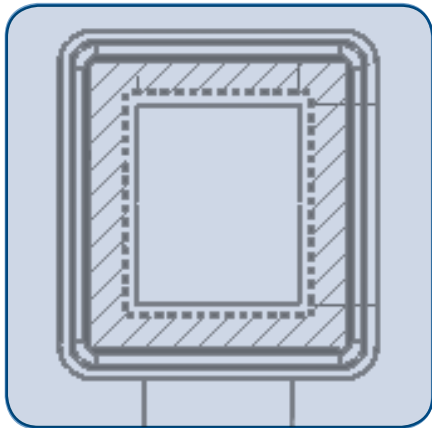


Lumidigm® M-Series Fingerprint Modules



IT'S WHAT YOU EXPECT FROM LUMIDIGM

HID Global's Lumidigm M-Series fingerprint sensor modules extend the power and reach of our award-winning multispectral imaging technology to a whole new set of industries, applications, channel partners and users. Like all other multispectral imaging products from Lumidigm, the M-Series modules are designed for those who need a biometric technology or solution that simply works where other competitive alternatives often fail.

The core benefit of Lumidigm multispectral technology is that it virtually eliminates common real world problems experienced by conventional fingerprint sensors. Fast, accurate and reliable, the M-Series delivers best-in-class biometrics performance.

The M-Series design allows easy integration into a growing set of devices and systems. Available as either a self-contained intelligent device or as a Windows® PC-based authentication solution, the M-Series supports multiple modes of operation. This means more flexibility and a variety of choices for integrators.

The M-Series module package is complete with an extensive SDK that simplifies integration. M-Series devices can be configured to deliver high-quality images or ANSI-378 standard templates. The modules can also be designed into either verification (1:1) or identification (1:N) applications. It is a standard, no-cost capability that is packaged into the M-Series modules.

The M-Series. It's what you expect from Lumidigm.

SPECIFICATIONS



	M30x Modules	M310 Module
IMAGING SYSTEM		
Technology	Patented Lumidigm optical multispectral imaging	
Image resolution / bit depth	500 dpi / 8-bit, 256 grayscale	
Platen area	17.4 x 13.9 mm (rectangular), uncoated	
BIOMETRIC FUNCTIONS		
Image out	ANSI 381 compliant	
Template out	ANSI 378 compliant	
Score or verification (1:1)	Requires ANSI 378 template input	
Identification (1:N)	Uses ANSI 378 templates as input	
Latent protection	Included	
TEMPLATE STORAGE		
Verification mode (1:1)	Up to 50,000	Unlimited
Identification mode (1:N)	Up to 1,000 users per group, up to 10 groups	Up to 10,000 users per group, unlimited groups
BIOMETRIC PERFORMANCE		
Finger placement to image	1.3 sec. (typical)	350 ms (typical)
Finger placement to template / score	1.8 sec. (typical)	400-600 ms (typical)
Finger placement to identification	2.0 sec (typical) – 1,000 users	500-700 ms – 1,000 users
ENVIRONMENTAL		
<i>Note: biometric performance is maintained throughout the operating ranges specified.</i>		
Ingress protection at platen	IP65	
Operating with enclosure	Temperature -10 to 60°C / Humidity 0-100% RH condensing	
Operating without enclosure	Temperature 0 to 60°C / Humidity 0-95% RH non-condensing	
ESD Immunity	IEC 61000-4-2 Level 4+/-15 kV Air	
INTERFACE		
USB 2.0	480 Mbps high-speed	480 Mbps high-speed
RS-232	115.2 Kbps	n/a
Operating systems supported	Windows 8 / 8 Embedded (32/64-bit) Windows 7 / 7 Embedded (32/64-bit), Windows XP / XP Embedded Linux Android	Windows 8 / 8 Embedded (32/64-bit) Windows 7 / 7 Embedded (32/64-bit) Windows XP / XP Embedded Linux (Intel 32-bit and 64-bit)
Encryption	n/a	Encrypted video for privacy/playback protection
FORM FACTOR		
Sensor head module	27 x 30 x 41 mm	27 x 30 x 41 mm
Electronic control unit	40 x 60 x 9 mm	42 x 26 x 4 mm
POWER SUPPLY REQUIREMENTS		
Supply current – operational	+5 VDC 400 mA (peak)	+5 VDC 225 mA (peak)
Supply current – idle	+5 VDC 200 mA (typical)	+5 VDC 100 mA (typical)
STANDARDS COMPLIANCE		
Interoperability	ANSI 378, ISO 19794-2:2005, ANSI 381, ISO 19794-4:2005, NFIQ compliant, MINEX-certified algorithm	ANSI 378, ISO 19794-2:2005, ANSI 381, ISO 19794-4:2005, NFIQ compliant, MINEX-certified algorithm
Device certifications	CE, FCC Part 15 Class B, EN 60950, IEC 62471, RoHS Certified support for thin clients	CE, EN 60950, IEC 62471, RoHS, Certified support for thin clients
MINIMUM SYSTEM REQUIREMENTS		
Interface	USB 1.1 or RS-232	High-speed USB 2.0 (480 Mbps)
Memory	n/a	64 MB free RAM
Operating system	n/a	Supported OS required



For Lumidigm inquiries:
+1 (505) 272-7057
lumidigm@hidglobal.com

North America: +1 512 776 9000
Toll Free: +1 800 237 7769
Europe, Middle East, Africa: +44 1440 714 850
Asia Pacific: +852 3160 9800
Latin America: +52 55 5081 1650

hidglobal.com

ASSA ABLOY

An ASSA ABLOY Group brand

© 2014 HID Global Corporation/ASSA ABLOY AB. All rights reserved. HID, HID Global, the HID Blue Brick logo, the Chain Design and Lumidigm are trademarks or registered trademarks of HID Global or its licensor(s)/supplier(s) in the US and other countries and may not be used without permission. All other trademarks, service marks, and product or service names are trademarks or registered trademarks of their respective owners. 2014-11-25-lumidigm-m-series-module-ds-en PLT-02167