

MicroProx® Tag

125 kHz Proximity

125 kHz Proximity Tag with Adhesive Back • 1391



ACCESS reliability.

Application

The MicroProx® Tag provides the convenience of HID's proximity technology in a small disk-shaped transponder. Simply attach the adhesive-backed Tag to any nonmetallic card or device, and you instantly have a proximity card!

With the MicroProx Tag you can:

- ▶ Seamlessly upgrade from Wiegand, magnetic stripe or barium ferrite technologies by simply adhering the Tag to your existing access card.
- ▶ Easily and cost-effectively turn a plastic ID badge or contact smart chip card into a proximity credential!
- ▶ Add proximity access control capability to users' cell phones, PDAs and other similar nonmetallic devices.

Experience the convenience of proximity without the expense of rebadging!

Features

- ▶ Offers consistent read range and reliable operation.
- ▶ The size of a coin, the Tag easily attaches to all nonmetallic materials.
- ▶ The Tag can be programmed in any HID proximity format, and is compatible with all HID proximity readers.
- ▶ The Tag is RF-programmable for ease of encoding with HID's ProxProgrammer®.

Features

Description	RF programmable, 125 kHz, customer specified numbers.
Proven, Reliable Technology	Offers extremely consistent read range. Unaffected by body shielding or variable environmental conditions, even when close to keys and coins.
Security	Over 1.9x10 ²⁵ unique codes available.
Long Life	Passive, no-battery design allows for an infinite number of reads.
Warranty	Warranted against defects in materials and workmanship for two years from date of shipment. (See warranty policy for details.)



Sample placement shown - actual placement will depend on application. Due to variations in cards and reading devices, HID does not claim that the MicroProx® Tag will work in every situation. Functional and non-functional MicroProx Tags are available for compatibility testing with existing credential and reader technologies. Compatibility should be confirmed prior to ordering.

Specifications

Typical Maximum* Read Range

ProxPoint® Plus reader up to 2.0" (5.1 cm)
MiniProx® reader up to 2.25" (5.7 cm)
ThinLine® II reader up to 2.5" (6.4 cm)
Prox80™ reader up to 2.25" (5.7 cm)
ProxPro® II reader up to 3.5" (8.9 cm)
ProxPro® reader up to 4" (10.2 cm)
MaxiProx® reader up to 4.5" (11.4 cm)
*Depending on local installation conditions.

Data Storage

Up to 84 bits (Over 1.9x10²⁵ codes)

Dimensions

Diameter: 1.285" (3.264 cm)
Thickness: 0.070" (0.178 cm)

Outer Shell Material

Lexan

Operating Temperature

-50° to 160° F (-45° to 70° C)

Weight

0.04 oz (1.18 g)

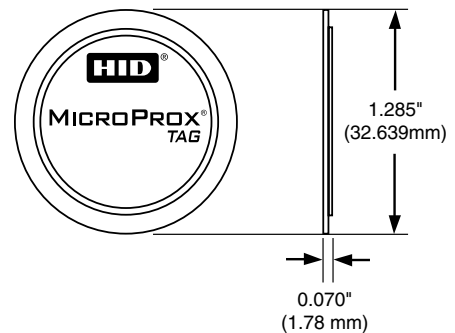
Part Number

Base Part No.: 1391

Options

Color - black or gray

(Please see "How to Order Guide" for a description of the options and associated part numbers.)



© 2007 HID Global. All rights reserved. HID, and the HID logo are trademarks or registered trademarks of HID Global in the U.S. and/or other countries. All other trademarks, service marks, and product or service names are trademarks or registered trademarks of their respective owners. Rev. 4/2007

For best results, please print on recycled paper.

MKT-MICROPROX_DS_EN



ACCESS experience.

hidcorp.com

HID Global Offices:

Corporate North America
9292 Jeronimo Road
Irvine, CA 92618-1905
U.S.A.
Phone: (800) 237-7769
Phone: (949) 598-1600
Fax: (949) 598-1690

Asia Pacific
19/F 625 King's Road
North Point
Island East
Hong Kong
Phone: +852 3160-9800
Fax: +852 3160-4809

Latin America
Circunvalacion Ote. #201 B
Despacho 2
Col. Jardines del Moral
Leon 37160, Gto.
Mexico
Phone: +52 477 779 1492
Fax: +52 477 779 1493

Europe, Middle East & Africa
Homefield Road
Haverhill, Suffolk
CB9 8QP
England
Phone: +44 (0) 1440 714 850
Fax: +44 (0) 1440 714 840