

eProx® Tag

125 kHz Proximity

125 kHz Embedded Proximity Access Transponder • I390



ACCESS reliability.

Application

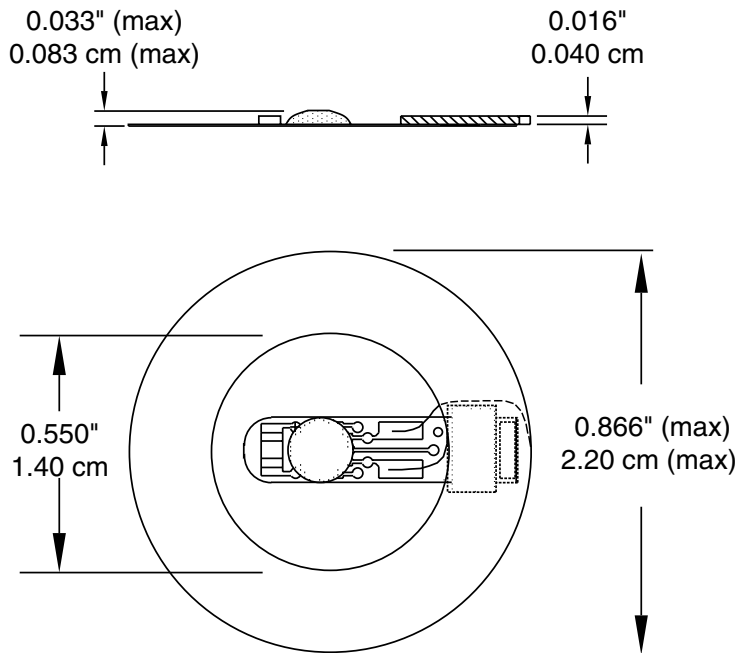
Add HID proximity to any device by gluing, molding or fastening the eProx® Tag proximity transponder to any nonmetallic housing. The eProx Tag can be used in diverse tagging applications, such as long-range gate transmitters, containers and keyfobs.

Features

- ▶ Offers consistent read range and reliable operation.
- ▶ RF-programmable for ease of encoding with HID's ProxProgrammer®.
- ▶ Compatible with existing HID proximity cards and readers.
- ▶ Implantable in all nonmetallic materials.

Features

- Description** RF programmable, 125 kHz, customer specified ID numbers.
- Proven, Reliable Technology** Offers extremely consistent read range. Unaffected by body shielding or variable environmental conditions, even when close to keys and coins.
- Security** Offers over 137 billion unique codes.
- Long Life** Passive, no-battery design allows for an infinite number of reads.
- Warranty** Lifetime warranty against defects in materials and workmanship (see complete sales policy for details).



Specifications

- Typical Maximum* Read Range**
ProxPoint® Plus reader-up to 2.0" (5.1 cm)
MiniProx® reader-up to 2.25" (5.7 cm)
ThinLine II® reader-up to 2.5" (6.4 cm)
Prox80™ reader up to 2.25" (5.7 cm)
ProxPro® II reader up to 3.5" (8.9 cm)
ProxPro® reader up to 4" (10.2 cm)
MaxiProx® reader up to 4.5" (11.4 cm)
*Dependent on local installation conditions.

- Data Storage**
Up to 84 bits (Over 1.9x10²⁵ codes)

- Dimensions**
Diameter: 0.866" (22.0mm)
Max. thickness (chip): 0.033" (0.83mm)
Coil thickness: 0.016" (0.40mm)

- Operating Temperature**
-50° to 160° F (-45° to 70° C)

- Weight**
0.019 oz. (0.54 gm)

- Part Number**
Base Part No.: 1390

- Description**
RF-programmable, 125 kHz, customer-specified ID numbers, locations marked for horizontal and vertical slot punch

(Please see "How to Order Guide" for a description of the options and associated part numbers.)



ACCESS experience.

HID Global Offices:

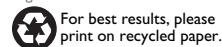
Corporate North America
9292 Jeronimo Road
Irvine, CA 92618-1905
U.S.A.
Phone: (800) 237-7769
Phone: (949) 598-1600
Fax: (949) 598-1690

Asia Pacific
19/F 625 King's Road
North Point
Island East
Hong Kong
Phone: +852 3160-9800
Fax: +852 3160-4809

Latin America
Circunvalacion Ote. #201 B
Despacho 2
Col. Jardines del Moral
Leon 37160, Gto.
Mexico
Phone: +52 477 779 1492
Fax: +52 477 779 1493

Europe, Middle East & Africa
Homefield Road
Haverhill, Suffolk
CB9 8QP
England
Phone: +44 (0) 1440 714 850
Fax: +44 (0) 1440 714 840

© 2007 HID Global. All rights reserved. HID, and the HID logo are trademarks or registered trademarks of HID Global in the U.S. and/or other countries. All other trademarks, service marks, and product or service names are trademarks or registered trademarks of their respective owners. Rev. 4/2007



MKT-ePROX_DS_EN

hidcorp.com