

HAY-CITY DATA SHEET

HAY-CITY LV (12vDC / 24vAC
Dual voltage heater)

HAY-CITY 230V (230v heater)



HAY-CITY ACCESSORIES -(SEE METRO ACCESSORIES)

The CITY housing is designed for the budget intallation without compromising the quality. This semi cable managed housing is available in 230V or 12/24V heater, the housing is manufactured from die cast aluminium C/W 3 year anti-corrosion warranty.



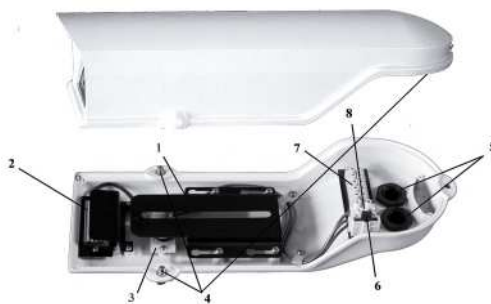
HAY-772CITY

City external dummy camera, this replaces Haydon's long established HAY772DK & HAY3000 models.

772CITY comes complete with dummy lens plate and conduit & junction box. (Includes optional use flashing LED)

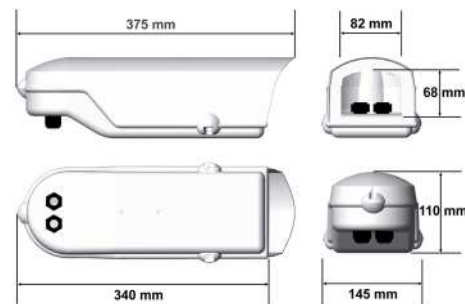
HAY-CITY TECHNICAL DATA

INTERNAL LAYOUT



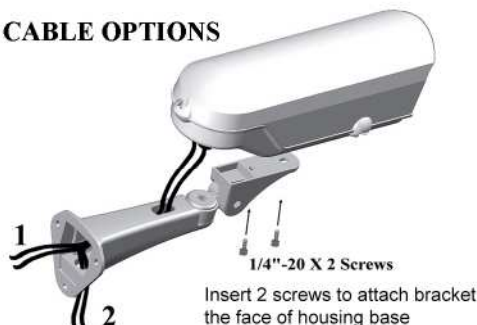
- | | |
|-----------------------------|----------------------|
| 1. Camera mounting plate | 5. Cable glands |
| 2. Heater element | 6. Fuse plug |
| 3. Thermostat control board | 7. Connector block |
| 4. Retained housing fixings | 8. Earth screw point |

EXTERNAL DIMENSIONS



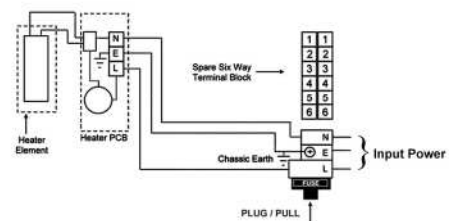
MAXIMUM INTERNAL DIMENSIONS
250mm Length x 110mm Width x 70mm Height

CABLE OPTIONS



2 Cable options as shown

WIRING DIAGRAM



POWER CONSUMPTION

Dual Voltage (12dc/24vac) 12v = 400 Ma 24v = 600Ma