

SIR-4250S

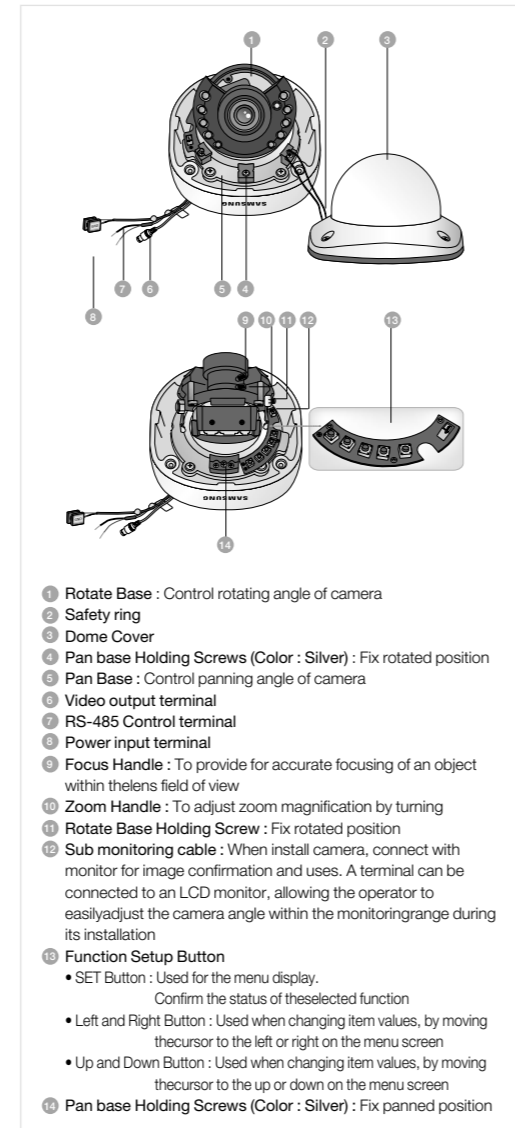
SAMSUNG TECHWIN SAMSUNG

1/3" Day & Night, IR LED Dome Camera with Built-in Varifocal Lens

Technical Specifications

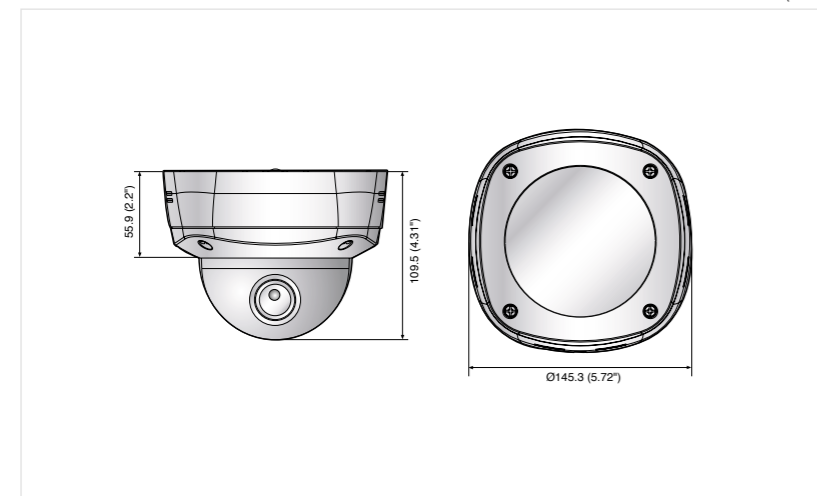
Mode	SIR-4250SN	SIR-4250SP
Power Source	12V DC (±10%)	
Power Consumption	Max. 3.6W (LED On)	
Image Pick-up Device	1/3" Super HAD CCD	
Total Pixels	811(H) x 508(V)	795(H) x 596(V)
Effective Pixels	768(H) x 494(V)	752(H) x 582(V)
Scanning System	2 : 1 Interlace	2 : 1 Interlace
	525 Lines / 60 Fields / 30 Frames	625 Lines / 50 Fields / 25 Frames
Synchronization	Internal	
Scanning Frequency	Horizontal : 15,734KHz / Vertical : 59.94Hz	Horizontal : 15,625KHz / Vertical : 50Hz
Horizontal Resolution	Color : 520TV lines (Min.) / B/W : 570TV lines (Min.)	
Video Output	1.0Vp-p / 75Ω (Video 0.714Vp-p, Sync 0.286Vp-p) 1.0Vp-p / 75Ω (Video 0.7Vp-p, Sync 0.3Vp-p)	
Lens	2.5X Auto iris varifocal lens, 3.8 - 9.5mm (F1.2)	
S / N Ratio (Y signal)	50dB (AGC off, Weight on)	
Min. Illumination	LED On	0 Lux@F1.2 (B/W mode, 50 IRE)
	LED Off	0.7Lux@F1.2 (Normal color mode, 50 IRE) 0.005Lux@F1.2 (Color sens-up mode, 50 IRE)
IR LED	10ea (Black)	
IR Distance	16m (52.5 ft)	
Back Light Compensation	Low / Middle / High / Off	
Day & Night	Color / B/W / Auto (ICR filter change)	
Gain Control	Normal / High / Off	
White Balance	ATW / AWC / Manual (1,800°K - 10,500°K)	
Electronic Shutter Speed	Fixed (1/60 / Flickerless)	Fixed (1/50 / Flickerless)
Sens-up	On / Off (Selectable limit - 128X)	
OSD	Built-in	
SSNR	Low / Middle / High / Off	
Motion Detection	On / Off selectable (Output via terminal)	
Privacy Function	On / Off selectable (4 Programmable zones)	
Mirror	On / Off selectable	
Sharpness	On / Off selectable (Level adjustable)	
Iris Control	DC fixed	
Protocols	PELCO-D	
Communication	RS-485	
Operating Temperature	-10°C ~ +50°C	
Operating Humidity	30% ~ 80% RH	
Dimensions	Ø145.3(W) x 109.5(H)mm / Ø5.72"(W) x 4.31"(H)	
Weight	985g (2.17 lb)	

Name of Control Section



Dimensions

Unit : mm (inch)



CAMERA ACCESSORIES

SAMSUNG TECHWIN SAMSUNG

Housing & Mounts for PTZ Dome Camera (SPD-3750/3300/3000/2300/SNP-3300)

Mode	STH-330POV (Outdoor Housing)	STH-330PIV (Indoor Housing)	STH-320PO (Outdoor Housing)	STH-330PEV (Embedded Housing)	STB-270PWW (Wall Mounts)	STB-496PPV (Pendant Mounts)
Operating Temperature	-20°C ~ 50°C	-10°C ~ 50°C	-20°C ~ 50°C	-10°C ~ 50°C	-20°C ~ 50°C	-20°C ~ 50°C
Operating Humidity	0 to 90% RH	0 to 90% RH (non-condensing)	0 to 90% RH	0 to 90% RH (non-condensing)	0 to 90% RH (non-condensing)	0 to 90% RH (non-condensing)
Materials	Housing	ALDC 12	ALDC 10	EG1 1.2T	ALDC 12	ALDC 12
	Ring	ALDC 12	ALDC 12	ABS	EG1 1.2T	SPPS 32A / SCH 40
Materials	Dome	Poly Carbonate	Poly Carbonate	-	-	SPCC
	Antivibration / Waterproof	IP 67	IP 67	-	-	-
Dimensions	Ø242(W) x 284.5(H)mm Ø9.53"(W) x 11.2"(H)	Ø243(W) x 281(H)mm Ø9.57"(W) x 11.06"(H)	Ø235(W) x 188.5(H)mm Ø9.25"(W) x 7.42"(H)	270(W) x 175(H) x 140(D)mm 10.63"(W) x 6.89"(H) x 5.51"(D)	150(W) x 496(H)mm 5.91"(W) x 19.53"(H)	
Weight	3.02Kg (6.66 lb)	1.55Kg (3.41 lb)	890g (1.96 lb)	1.2Kg (2.65 lb)	1.8Kg (3.97 lb)	

Dimensions

Unit : mm (inch)

