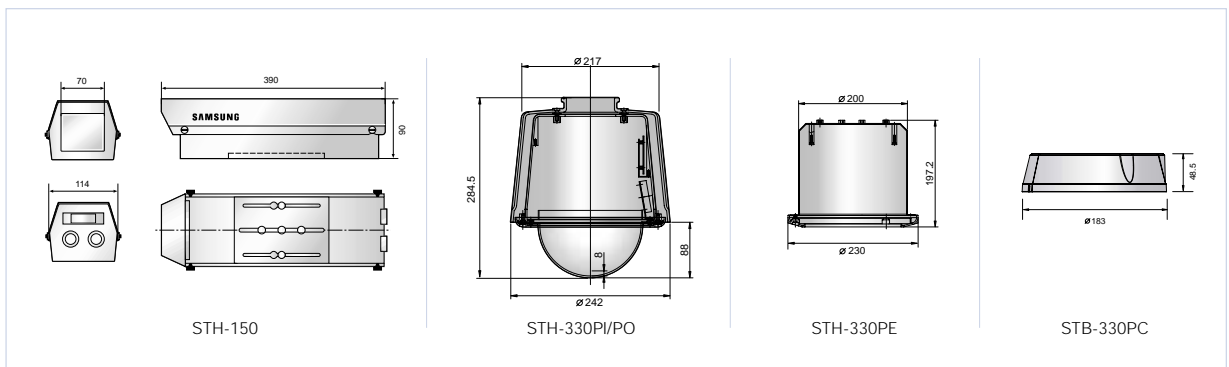


# CAMERA Accessories

	Accessories for Fixed Camera	Accessories for Speed Dome Camera (SPD-3300 / SPD-3000)			
					
Mode	STH-150 (Outdoor Housing)	STH-330PO (Outdoor Housing)	STH-330PI (Indoor Housing)	STH-330PE (Indoor Embedded Housing)	STB-330PC (Ceiling Bracket)
Operating Temperature	-20°C ~ 50°C	-20°C ~ 50°C	-10°C ~ 50°C	-10°C ~ 50°C	-20°C ~ 50°C
Operating Humidity	0 to 90% RH	0 to 90% RH	0 to 90% RH (non-condensing)	0 to 90% RH (non-condensing)	0 to 90% RH (non-condensing)
Materials		Housing outdoor : ALDC 12 Ring decoration : ALDC 12 Dome cover : Poly Carbonate		Housing outdoor : EGI (1.2t) Ring decoration : ABS	Bracket wall : ALDC 12
Accessories		Screw (3ea) : BH MS, M3 x L6		Safety wire (1ea) : SUS (Ø1.2 x 2000) Turn buckle (1ea) Wire joint (1ea) Screw (3ea) : BH MS M3 x L6	Screw (4ea) : Self drilling screw #8 x L38 (FZY) Screw (3ea) : PH MS M4 x L14
Others	-	Fan : 24V DC 0.06A Operating temp. : more than 45°C Heater : 24V DC 30W Operating temp. : less than 15°C	-	-	-
Antivibration / Waterproof	-	IP 67		-	-
Dimension	114(W) x 90(H) x 390(D)mm	242(Ø) x 284.5(H)mm		230(Ø) x 197.2(H)mm	185(Ø) x 48.5(H)mm
Weight	(Net)	3.02kg		740g	1.13kg
	(Gross)	1 kg	4.1 kg	1.22kg	1.32kg

## Dimensions

Unit : mm



# CAMERA Accessories

	Accessories for Speed Dome Camera				Accessories for Vandal Dome Camera		
	(SPD-2200)		(SPD-3300 / SPD-3000 / SPD-2200)		(SVD-4300 / SVD-4120A)		
Mode	STH-160PO (Outdoor Housing)	STH-160PI (Indoor Housing)	STH-128PE (Indoor Embedded Housing)	STB-270PW (Wall Bracket)	STB-496PP (Ceiling Bracket)	STB-319VP (Ceiling Bracket)	STB-249VW (Wall Bracket)
Operating Temperature	-20°C ~ 50°C	-10°C ~ 50°C	-10°C ~ 50°C	-20°C ~ 50°C	-20°C ~ 50°C	-10°C ~ 50°C	-10°C ~ 50°C
Operating Humidity	0 to 90% RH	0 to 90% RH (non-condensing)	0 to 90% RH (non-condensing)	0 to 90% RH (non-condensing)	0 to 90% RH (non-condensing)	0 to 90% RH (non-condensing)	0 to 90% RH (non-condensing)
Materials	Housing outdoor : ALDC 12 Ring decoration : ALDC 12 Dome cover : Poly Carbonate		Housing outdoor : EGI (1.2) Ring decoration : ABS	Bracket wall : ALDC 12	Ceiling flange : ALDC 12 Ceiling Pipe : SPPS 32A/Sch 40 Ceiling Plate : SPCC	AL / SPPS / SPCC	AL / SPPS / SPCC
Accessories	Screw (3ea) : BH MS, M3 x L6		Safety wire (1ea) : SUS(Ø1.2 x 2000) Turn buckle (1ea) Wire joint (1ea) Screw (3ea) : BH MS M3 x L6	Screw (4ea) : Self drilling screw #8 x L38 (FZY) Screw (3ea) : PH MS M4 x L14	Screw (4ea) : Self drilling screw #8 x L38 (FZY) Screw (3ea) : PH MS M4 x L14	-	-
Others	Fan : 24V DC 0.06A Operating temp. : more than 45°C Heater : 24V DC 30W Operating temp. : less than 15°C	-	-	-	-	-	-
Antivibration / Waterproof	IP 67	-	-	-	-	-	-
Dimension	Ø242(W) x 284.5(H)mm		Ø190(W) x 188.5(H)mm	270(W) x 175(H) x 140(D)mm	150(W) x 496(H)mm	Ø154(W) x 319(H)mm	Ø154(W) x 319(H)mm
Weight	(Net)	3.02kg	740g	1.13kg	1.75kg	-	-
	(Gross)	4.1 kg	1.22kg	1.32kg	1.97kg	650g	950g

## Dimensions

Unit : mm

