

Intelligent Solution!

37X High Resolution WDR Weather-Proof PTZ Dome Camera

SPU-3750T



Clear 550TVL lines Graphic Resolution



The SPU-3750T delivers a high 550TVL lines resolution with vivid imaging and clarity.



Conventional Camera

SPU-3750T

Intelligent Auto Tracking



The SPU-3750T supports Intelligent Auto Tracking to recognize and follow moving objects automatically for accurate visual monitoring.



37X High Resolution WDR Weather-Proof PTZ Dome Camera

SPU-3750T

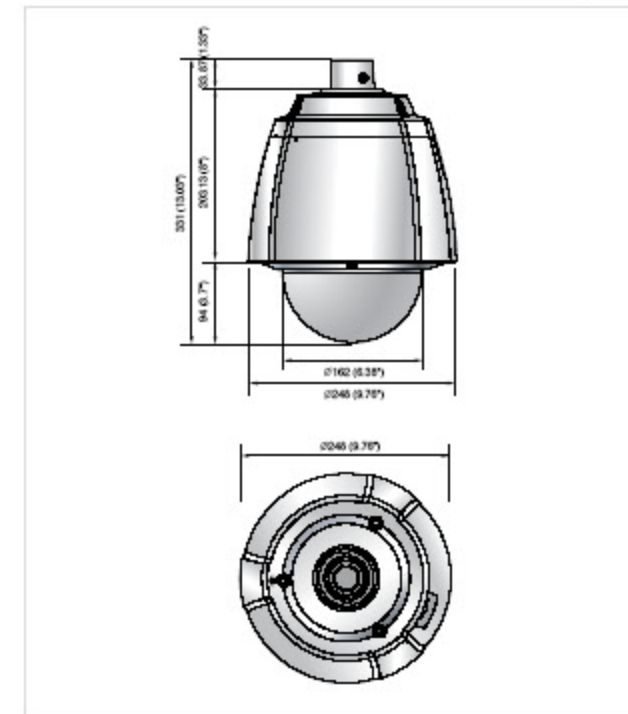


Specifications

	SPU-3750TN	SPU-3750TP
ELECTRICAL		
Input Voltage	24V AC ±10%	
Power Consumption	58W (With fan/heater), 15W (Without fan/heater)	
VIDEO		
Imaging Device	1/4" Vertical double density interline CCD	
Total Pixels	811(H) x 508(V)	795(H) x 596(V)
Effective Pixels	768(H) x 494(V)	752(H) x 582(V)
Scanning System	2 : 1 Interlace	
Synchronization	Internal / AC line lock	
Frequency	H : 15.734KHz / V : 59.94Hz	H : 15.625KHz / V : 50Hz
Horizontal Resolution	Color : 550TV lines (Min.) / B/W : 680TV lines (Min.)	
Min. Illumination	Color : 0.7Lux (50 IRE@F1.6), 0.002Lux (Sens-up, 256X) B/W : 0.03Lux (50 IRE@F1.6)	
S / N (Y signal)	50dB	
Video Output	CVBS : 1.0Vp-p / 75	
LENS		
Zoom Ratio	37X (Optical), 12X (Digital)	
Focal Length	3.5 ~ 129.5mm (F1.6 ~ 3.9)	
Max. Aperture Ratio	1 : 1.6 (Wide) ~ 3.9 (Tele)	
Min. Object Distance	1.8m (5.91ft)	
Angular Field of View	H : 55.5°(Wide) ~ 1.59°(Tele) / V : 42.5°(Wide) ~ 1.19°(Tele)	
Focus	Auto / Manual / One-shot	
Zoom Movement Speed	2.5sec	
Iris Control	Auto / Manual	
PAN / TILT		
Pan Range	360° Endless	
Pan Speed	Preset : 500°/sec / Manual : 0.024°/sec ~ 120°/sec (Proportional zoom ratio)	
Tilt Range	-5° ~ 185°	
Tilt Speed	Preset : 500°/sec / Manual : 0.024°/sec ~ 120°/sec (Proportional zoom ratio)	
Preset Positions	255	
Preset Accuracy	±0.1°	
PTZ Mode	Preset, Swing, Group, Tour	
OPERATIONAL		
On Screen Display	Built-in (Multi-language support)	
Camera Title	On / Off	
ID (Camera Address)	1 ~ 255	
Day & Night	Auto (ICR) / Color / B/W	
Backlight Compensation	WDR / BLC / HLC / Off	
Dynamic Range	52dB	
Motion Detection	On / Off	
Digital Image Stabilization	On / Off	
Privacy Masking	On / Off (8 Programmable zones)	
3D Noise Filter (SSNRII)	Low / Medium / High / Off	
Sens-up (Frame Integration)	On / Off (Selectable limit ~ 256X)	
Gain Control	Low / Medium / High / Manual / Off	
White Balance	ATW / AWC / Manual / Indoor / Outdoor	
Electronic Shutter Speed	Auto (1/60 ~ 1/120,000sec) / Manual / A.FLK	Auto (1/50 ~ 1/120,000sec) / Manual / A.FLK
Communication	RS-485/422, Coaxial control	
Protocol	Samsung Techwin, Pelco-D, Pelco-P, Panasonic, Honeywell, AD, Vicon, Samsung Electronics, GE, Bosch	
Alarm	3 In, 1 Out, 1 Aux	
Auto Digital Flip	On / Off	
ENVIRONMENTAL		
Operating Temperature / Humidity	-50°C ~ +50°C / 20% ~ 80% RH	
MECHANICAL		
Dimension (WxH)	Ø248 x 331mm (Ø9.76" x 13.03")	
Weight	4.5Kg (9.92 lb)	
Ingress Protection	IP66	
Certifications	FCC (Class A), UL/cUL listed	CE (Class A)

Dimensions

Unit : mm (Inch)



Controller (Option)



The Eco mark represents Samsung Techwin's will to create environment-friendly products, and indicates that the product satisfies the EU RoHS Directive.

Design and specifications are subject to change without notice.



SAMSUNG TECHWIN CO., LTD.
145-3, Sangdewon 1-dong, Jungwon-gu, Seongnam-si, Gyeonggi-do Korea 462-703
Tel : +82-31-740-8151-8 Fax : +82-31-740-8145
www.samsungcctv.com

SAMSUNG TECHWIN AMERICA Inc.
1480 Chaffee, Walnut St, Carson, CA 90746, UNITED STATES
Tel Fax : +1-877-213-1222 Fax : +1-310-632-2195
www.samsungcctvusa.com

SAMSUNG TECHWIN EUROPE CO., LTD.
Samsung House, 1000 Hillwood Drive, Hillwood Business Park
Chertsey, Surrey, UNITED KINGDOM KT16 0PS
Tel : +44-1932-46-5300 Fax : +44-1932-46-5325

TIANJIN SAMSUNG TECHWIN OPTO-ELECTRONICS CO., LTD.
No.11 Wei 6 Street, Micro-Electronic Industrial Park
Jingang Road, Tianjin, P.R. CHINA 300385
Tel : +86-22-23867788 Fax : +86-22-23867788

■ DISTRIBUTED BY