

High Resolution 10X PTZ Network Camera

SNP-1000A

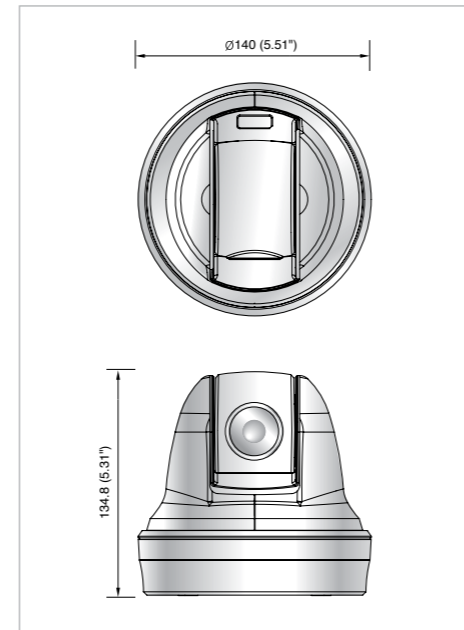


Specifications

Mode	SNP-1000A(N)	SNP-1000A(P)
Power Source	12VDC (±10%)	
Power Consumption	Max. 8.5W	
Image Pick-up Device	1/4" Interline Transfer CCD	
Total Pixels	811(H) x 508(V)	795(H) x 596(V)
Effective Pixels	768(H) x 494(V)	752(H) x 582(V)
Scanning System	2 : 1 Interlace	2 : 1 Interlace
Scanning System	525 Lines / 60 Fields / 30 Frames	625 Lines / 50 Fields / 25 Frames
Synchronization	Internal / Line lock selectable	
Scanning Frequency	Horizontal : 15,734KHz / Vertical : 59.94Hz	
Horizontal Resolution	Color : 520TV lines (Min.) / B/W : 570TV lines (Min.)	
Video Output	1.0Vp-p / 75Ω (Video 0.714Vp-p, Sync 0.286Vp-p)	1.0Vp-p / 75Ω (Video 0.7Vp-p, Sync 0.3Vp-p)
Min. Illumination	0.7Lux@F1.8 (Normal color mode) 0.02Lux@F1.8 (B/W mode) 0.005Lux@F1.8 (Sens-up mode)	
S / N Ratio (Y signal)	50dB (AGC off, Weight on)	
Day & Night	Auto / Color / B/W (ICR filter change)	
White Balance	ATW / AWC / Manual selectable (1800°K ~ 10,500°K)	
Electronic Shutter Speed	Auto / Manual selectable (1/60 ~ 1/120,000)	Auto / Manual selectable (1/50 ~ 1/120,000)
SSNR	Low / Middle / High / Off selectable	
Motion Detection	On / Off selectable (Output via terminal)	
Privacy Function	On / Off selectable (4 Programmable zones)	
Preset Positions	128 Positions	
Digital Flip	On / Off selectable	
Zoom Ratio	10X, 3.8 ~ 38mm	
Angle Field of View	H : 51.2°(Wide) to 5.58°(Tele) / V : 39.3°(Wide) to 4.27°(Tele)	
Digital Zoom	2X ~ 10X (Total 100X zoom)	
Rotation Angle	Pan : 350° / Tilt : -5° ~ +185° (Digital flip)	
Rotation Speed	Pan : 140°/sec (64 step) / Tilt : 100°/sec (64 step)	
Video Channel	1 Input / 1 Output through BNC	
Hardware	CPU : Samsung ARM CPU (200MHz) OS : Embedded Linux	
Compression Method	MPEG-4 / JPEG selectable video compression, ADPCM audio compression	
Compression / Transmission Speed	Video : Max. VGA 30fps	Video : Max. VGA 25fps
Image Quality Control	5 levels	
Audio Input / Output	1 / 1	
Internet Browser	MS Internet Explorer ver 5.5 or higher	
Resolution	704 x 480, 704 x 240, 352 x 240	704 x 576, 704 x 288, 352 x 288
Security	Password (User authentication), Control message encryption	
DIO Supports	2 Sensor input, 1 Alarm output	
User Connection	20 Users	
Protocol Supported	TCP/IP, DHCP, HTTP, SMTP, FTP, DDNS, PPPoE, NTP	
Misc. Function	Event / Alarm, FTP / E-mail notification	
System Resource	32Bit RISC processor, 64MB SDRAM, 64MB flash, 512KB ROM	
Network Interface	10/100 Base-T Ethernet using RJ-45	
Viewer Application	Network management software / Web viewer	
DDNS	Support (xDSL, DHCP, Cable modem, etc)	
SDK	3rd Party SDK support	
Operating Temperature	0°C ~ +40°C	
Operating Humidity	20% ~ 75% RH	
Dimensions	Ø140(W) x 134.8(H)mm / Ø5.51"(W) x 5.31"(H)mm	
Weight	0.85Kg (1.87 lb)	

Dimensions

Unit : mm (inch)



Option (Accessories)

Wall Bracket



STB-230PW

STB-280PW

Indoor Housing



STH-1000PO

STH-1000PI

Optical **10X** A/F Zoom
via **Network**

Area Zoom function

SNP-1000A

imagine Surveillance beyond Time & Space

The SNP-1000A is an compact high resolution PTZ network camera with a built-in 10X A/F zoom lens. The SNP-1000A supports MPEG-4/JPEG compression, fast 30fps VGA-class image transmission, bi-directional audio, remote PTZ control, and many more functions, ensuring a 24 hour convenient, clear network surveillance anytime anywhere.



The Eco mark represents Samsung Techwin's will to create environment-friendly products, and indicates that the product satisfies the EU RoHS Directive.

Design and specifications are subject to change without notice.

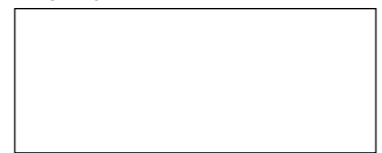


SAMSUNG TECHWIN CO., LTD.
145-3, Sangdaewon 1-dong, Jungwon-gu, Seongnam-si, Gyeonggi-do Korea 462-703
Tel : +82-31-740-8151 ~ 8 Fax : +82-31-740-8145
www.samsungcctv.com

SAMSUNG OPTO-ELECTRONICS UK, LTD.
Samsung House, 1000 Hillwood Drive,
Hillwood Business Park Chertsey, Surrey KT16 0PS
Tel : +44-1932-455312 Fax : +44-1932-455325

TIANJIN SAMSUNG OPTO-ELECTRONICS CO., LTD.
No.9 Zhangheng St. Micro-Electronic Industrial
Park, Jingang Rd. Tianjin P.R.China 300385
Tel : +86-22-23887788-8503 Fax : +86-22-23887788-8505

■ DISTRIBUTED BY



I.D-0808



SAMSUNG TECHWIN



VGA high resolution images, Real-time network transmission!
A large area can be captured, using the optical 10X zoom-in, and Pan & Tilt.

128 Channel Network Management,
128 Preset Automatic Surveillance
Sharp, Clear 100X images via the internet anytime, anywhere!



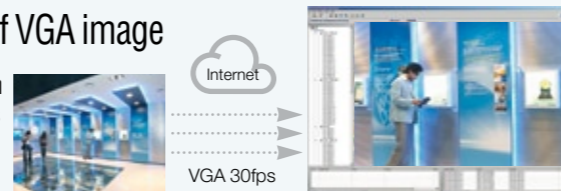
Stylish **iPOLiS** Network Monitoring High Resolution 10X PTZ Network Camera **SNP-1000A**

NETWORK



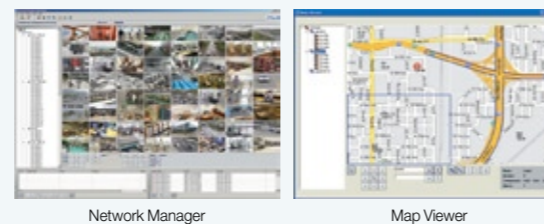
MPEG-4/JPEG compression, 30fps transmission of VGA image

The SNP-1000A enables the user to select MPEG-4 or JPEG compression depending on the environment. Its network performance allows a 30fps real-time transmission of VGA image high resolution images.



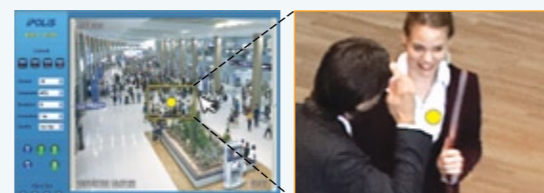
Powerful integrated management of up to 128 channels

The Exclusive 'Network Manager' software(SNM-64S/P) offers a powerful function that enables the integrated management of up to 128 network and DVR units at a time. The Network Manager allows an enhanced alarm/event notification, a Map function, Max. 3 monitor connection, etc. The SNP-1000A also supports a Web Viewer that enable users to check the surveillance area at anytime, anywhere via internet without an application software.



Area Zoom function **NEW**

SNP-1000A supports a new remote PTZ feature, Area Zoom. With the area zoom feature, the user can drag the mouse over a desired area and the SNP-1000A will pan, tilt and zoom automatically to a selected area of an image up to 10x optically. This new feature gives user the ability to view an image quickly and accurately with a click of a mouse.



CAMERA



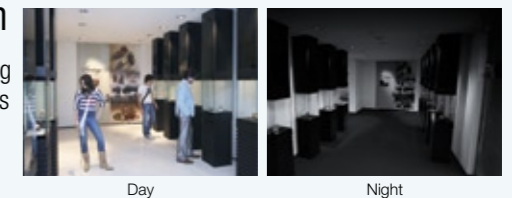
Optical 10X. Up to 100X zoom

The SNP-1000A has a built-in 10X A/F zoom lens, and provides up to 100X magnification of surveillance areas. The camera also has a high speed pan/tilt function to quickly capture even a large area.



Low light of 0.005Lux and an ICR Day & Night function

The SNP-1000A enables the user to observe a surveillance subject clearly, using the smallest amount of light, and also has an ICR Day & Night function that provides high quality images even at night.



128 Preset, Automatic surveillance functions

The SNP-1000A can be preset in terms of timing and method to suit up to 128 different surveillance areas, and the camera then automatically performs surveillance according to the preset conditions.



Additional function

- Bi-directional audio transmission
- Remote PTZ control, Analogue images output
- Digital Image Stabilizer and Digital Flip support
- Convenient installation, Various accessories