

Catch the Clarity

Megapixel lens series



1/3" CS-mount Auto Iris Megapixel lens

SLA-M2882/SLA-M3180DN

- F1.4 (SLA-M2882), F1.2 (SLA-M3180DN) DC type auto iris
- Varifocal 2.8 ~ 8.2mm / 0.11" ~ 0.32" (SLA-M2882)
3.1 ~ 8mm / 0.12" ~ 0.31" (SLA-M3180DN)

1/3", 1/2.8" CS-mount Auto Iris Megapixel lens

SLA-M2882/SLA-M3180DN

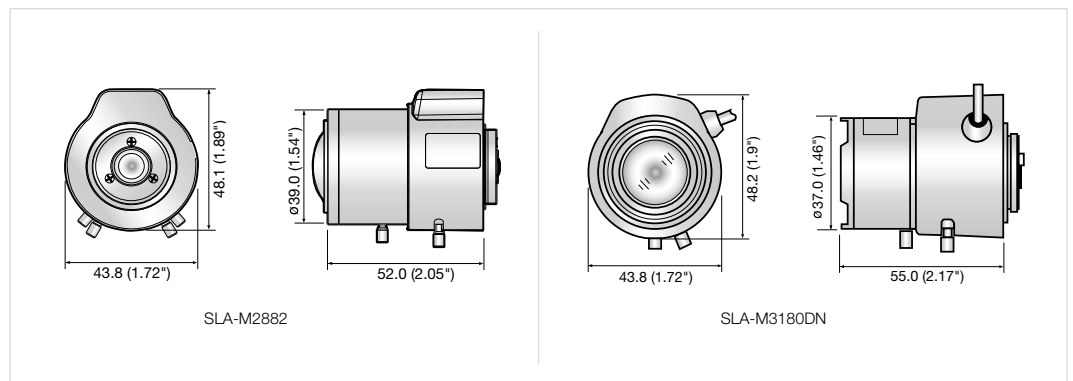


Specifications

		SLA-M2882	SLA-M3180DN
CCD		1/3"	1/2.8"
Resolution		1.3Megapixel	3Megapixel
Focal Length		2.8 ~ 8.2mm / 0.11" ~ 0.32"	3.1 ~ 8mm / 0.12" ~ 0.31"
Max. Aperture Ratio		1 : 1.4 ~ 360	1 : 1.2 ~ 360
Max. Image Format		4.8(H) x 3.6(V)	3.2(H) x 5.8(V)
Angle of View	Diagonal	116.5° ~ 42.4°	123.1° ~ 48.3°
	Horizontal	94.2° ~ 34.1°	105.4° ~ 42.2°
	Vertical	71° ~ 25.6°	57.9° ~ 23.8°
	Iris	Auto (F1.4 ~ 360)	Auto (F1.2 ~ 360)
Operation	Focus	Manual	Manual
	Zoom	Manual	Manual
Iris Type		DC	DC
Effective Lens Front		Ø26mm / Ø1.02"	Ø20.9mm / Ø0.82"
Aperture	Rear	Ø8.6mm / Ø0.34"	Ø10.5mm / Ø0.41"
Back Focal Length		7.97 ~ 14.12mm / 0.31" ~ 0.56"	7.8mm / 0.31"
Flange Back Length		12.5mm / 0.49"	12.5mm / 0.49"
Mount		CS-mount	CS-mount
Dimensions (WxHxD)		43.8 x 48.1 x 52.0mm (1.72" x 1.89" x 2.05")	43.8 x 48.2 x 55.0mm (1.72" x 1.9" x 2.17")
	Weight	100g (0.22 lb)	59g (0.13 lb)

Dimensions

Unit : mm (inch)



The Eco mark represents Samsung Techwin's will to create environment-friendly products, and indicates that the product satisfies the EU RoHS Directive.

Design and specifications are subject to change without notice.



SAMSUNG TECHWIN CO., LTD.

701, Sampyeong-dong, Bundang-gu, Seongnam-si, Gyeonggi-do Korea 463-400
Tel : +82-70-7147-8741 ~ 8749, 8752 ~ 8760 Fax : +82-31-8018-3745
www.samsungsecurity.com www.samsungcctv.com

SAMSUNG TECHWIN AMERICA INC.

100 Challenger Rd. Suite 700 Ridgefield Park, NJ 07660
Toll Free : +1-877-213-1222 Direct : +1-201-325-6920
Fax : +1-201-373-0124
www.samsungcctvusa.com

SAMSUNG TECHWIN EUROPE LTD.

Samsung House, 1000 Hillswood Drive, Hillswood Business Park
Chertsey, Surrey, UNITED KINGDOM KT16 0PS
Tel : +44-1932-45-5300 Fax : +44-1932-45-5325

TIANJIN SAMSUNG TECHWIN OPTO-ELECTRONICS CO., LTD.

No.11 Wei 6 Street, Micro-Electronic Industrial Park
Jingang Road, Tianjin, P.R. CHINA 300385
Tel : +86-22-23887788 Fax : +86-22-23887788

■ DISTRIBUTED BY

