

Ultra High Resolution WDR Dome Camera
SID-560/562

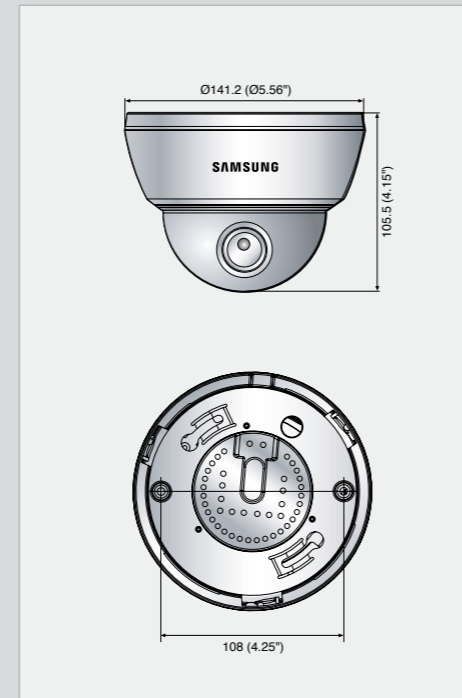


Specifications

	SID-560N	SID-560P	SID-562N	SID-562P
ELECTRICAL				
Input Voltage	12V DC		Dual (12V DC/ 24V AC)	
Power Consumption	Max. 3.5W		Max. 2.5W	
VIDEO				
Imaging Device	1/3" Vertical double density interline CCD			
Total Pixels	811(H) x 508(V)	795(H) x 596(V)	811(H) x 508(V)	795(H) x 596(V)
Effective Pixels	768(H) x 494(V)	752(H) x 582(V)	768(H) x 494(V)	752(H) x 582(V)
Scanning System	2 : 1 Interlace			
Synchronization	Internal		Internal / Line lock	
Frequency	H : 15.734KHz / V : 59.94Hz	H : 15.625KHz / V : 50Hz	H : 15.734KHz / V : 59.94Hz	H : 15.625KHz / V : 50Hz
Horizontal Resolution	Color : 560TV lines (Min.) / B/W : 700TV lines (Min.) 560TV lines (Min.)			
Min. Illumination	Color : 0.3Lux (50 IRE@F1.2), 0.001Lux (Sens-up, 256X) B/W : 0.01Lux (50 IRE@F1.2)			
S / N (Y signal)	52dB			
Video Output	CVBS : 1.0Vp-p / 75Ω			
LENS				
Zoom Ratio	3.6X (Manual)			
Focal Length	2.8 ~ 10mm (F1.2)			
Max. Aperture Ratio	1 : 1.2(Wide) ~ 2.8(Tele)			
Min. Object Distance	0.2m (0.66ft)			
Angular Field of View	H : 94.4°(Wide) ~ 28°(Tele) / V : 69.2°(Wide) ~ 21°(Tele)			
Focus	Manual			
Iris Control	Auto			
PAN / TILT / ROTATE				
Pan Range	0° ~ 340°			
Tilt Range	0° ~ 146°			
Rotate Range	0° ~ 340°			
OPERATIONAL				
On Screen Display	Built-in (Multi-language support)			
Camera Title	On / Off			
Day & Night	Auto (ICR) / Color / B/W		On / Off (Electrical)	
Backlight Compensation	WDR / BLC / HLC / Off			
Dynamic Range	52dB			
Motion Detection	On / Off (Output via communication)			
Digital Image Stabilization	On / Off			
Privacy Masking	On / Off (8 Programmable zones)			
3D Noise Filter (SSNRII)	Low / Middle / High / Off			
Sens-up (Frame Integration)	Auto / Off (Selectable limit ~ 256X)			
Gain Control	Low / High / Off			
White Balance	ATW (Indoor/Outdoor) / AWC / Manual			
Electronic Shutter Speed	Auto (NTSC : 1/60 ~ 1/120,000sec, PAL : 1/50 ~ 1/120,000) / Manual / A.FLK			
Communication	RS-485			
Protocol	STW, Pelco-D			
Flip	On / Off			
Mirror	On / Off			
Freeze	On / Off			
ENVIRONMENTAL				
Operating Temperature / Humidity	-10°C ~ +50°C / 20% ~ 80% RH			
Storage Temperature / Humidity	-20°C ~ +60°C / 20% ~ 95% RH			
MECHANICAL				
Dimension (WxH)	Ø141.2 x 105.5mm (Ø5.56" x 4.15")			
Weight	560g (1.23 lb)		670g (1.48 lb)	

Dimensions

Unit : mm (inch)



The Eco mark represents Samsung Techwin's will to create environment-friendly products, and indicates that the product satisfies the EU RoHS Directive.

Design and specifications are subject to change without notice.



SAMSUNG TECHWIN CO., LTD.
145-3, Sangdaewon 1-dong, Jungwon-gu, Seongnam-si, Gyeonggi-do Korea 462-703
Tel : +82-31-740-8151 ~ 8 Fax : +82-31-740-8145
www.samsungcctv.com

SAMSUNG TECHWIN AMERICA
1480 Charles Willard St. Carson, CA 90746, UNITED STATES
Tel : +1-310-632-1234 Fax : +1-310-632-2195
www.samsungcctvusa.com

SAMSUNG OPTO-ELECTRONICS UK, LTD.
Samsung House, 1000 Hillwood Drive, Hillwood Business Park
Chertsey, Surrey, UNITED KINGDOM KT16 0PS
Tel : +44-1932-45-5308 Fax : +44-1932-45-5325

TIANJIN SAMSUNG OPTO-ELECTRONICS CO., LTD.
No. 9 Zhangheng Street, Micro-Electronic Industrial Park
Jingang Road, Tianjin, P.R. CHINA 300385
Tel : +86-22-23887788-8503 Fax : +86-22-23887788-8505

■ DISTRIBUTED BY



I.D-0808

imagine Super Vision at Anytime, Anywhere

The SID-560/562 is a camera with a built-in fourth-generation DSP image engine SVIV chipset, which provides superb image quality anytime and anywhere. The SID-560/562 offers the world's best 560TV lines color resolution, a 128X more powerful WDR function for improved subject recognition in backlight, and clear picture quality without noise for low light level environments.

SAMSUNG TECHWIN



Clear Images **24 hours** a day!

The next generation DSP image engine, **SV IV**
Ultra high resolution WDR dome camera

SID-560/562



The best picture quality
in **any light or environment!**

560TV lines resolution, outstanding images of super high picture quality
Powerful **128X WDR**, overcoming natural light limitations
Brighter and clearer images even at a low light level of **0.001 Lux**

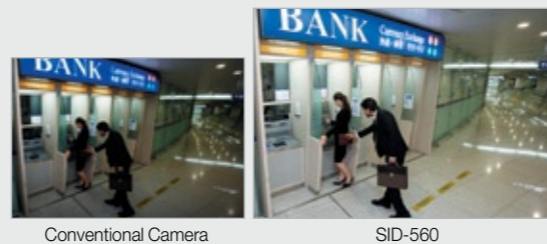


SV IV Powerful DSP Engine



An exceptional resolution of 560TV lines for color

The SID-560/562 cameras provide super clear picture quality for surveillance, achieving a horizontal resolution of 560TV lines in color and 700TV lines in B/W.



Conventional Camera

SID-560



Powerful 128X WDR by pixel unit image processing

The SID-560/562 compensates for backlight 128 times more effectively than standard cameras, by applying an powerful pixel control image analysis technology ensuring clear video and better color representation.



WDR Off

WDR Off

WDR On

WDR On



Clean, clear images without noise in an ultra low light of 0.001 Lux

The camera can operate in an ultra low light level of 0.001Lux in color mode, by implementing up to 256X Sens-up and three-dimensional noise reduction technology, SSNR.II.



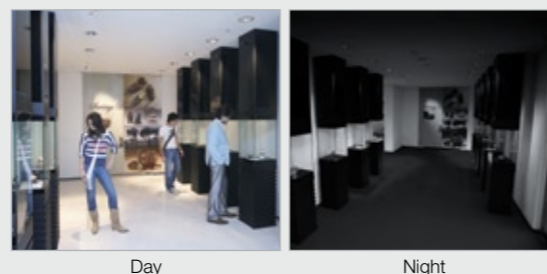
Conventional Camera

SID-560



ICR Day & Night for clear images 24 hours a day

The SID-560 provides the ICR Day & Night function that detects changes in the level of light at any time of day, and then switches to the optimum operation mode according to the light level.



Day

Night

Flexible backlight zone setting

The dome can set a backlight blocking zone that is optimized for the user environment through an User BLC function.



BLC Off

BLC On

Newly Enhanced

3.6X Varifocal lens, 3-Axis rotating dome mechanism

The SID-560/562 is equipped with a Varifocal lens of 2.8 ~ 10mm that ensures optimum video image and focus setting, and ensures the optimum view in a variety of installation environments with 3-Axis rotating dome mechanism.



Normal

3.6X

Wall

Slope

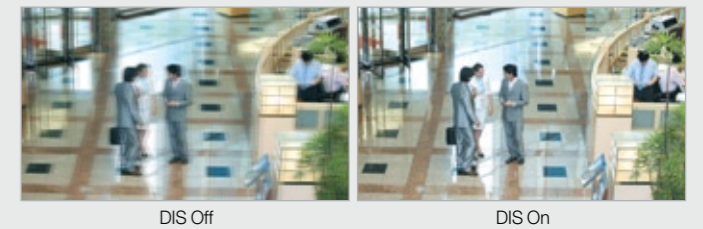
Multi-language OSD for user convenience

The dome supports the multiple languages for OSD setting, resulting in easy, quick, user-friendly setting.



Built-in (Digital Image Stabilization) for clear images

The dome provides a built-in DIS (Digital Image Stabilization) that effectively stabilizes images when strong vibrations can affect the camera, causing blurring or flickering of images.

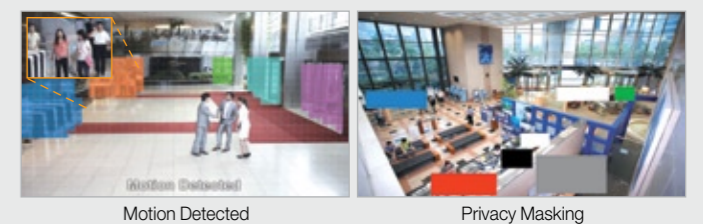


DIS Off

DIS On

Upgraded motion detection & Privacy masking

The SID-560/562 supports an upgraded motion detection function by enabling the user to make different color and sensitivity settings for up to 8 areas, and up to 8 unwanted areas within the operation area can be masked with 6 different colors.



Motion Detected

Privacy Masking

Supporting RS-485 remote control

Users can make changes to the settings of the camera menu by remote control via an RS-485 port.

