

High Resolution Day & Night Dome Camera SID-47/48/49

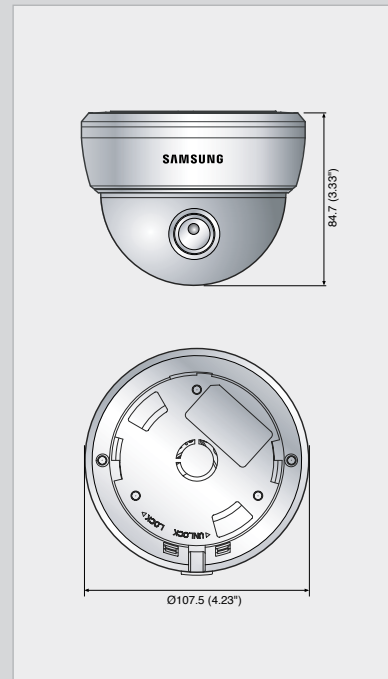


Specifications

| | SID-47N | SID-47P | SID-48N | SID-48P | SID-49N | SID-49P |
|----------------------------------|--|---------------------------|------------------------------|---------------------------|-------------------------------------|---------------------------|
| ELECTRICAL | | | | | | |
| Input Voltage | Dual (12V DC/ 24V AC) | | | | | |
| Power Consumption | Max. 2.5W | | | | | |
| VIDEO | | | | | | |
| Imaging Device | 1/3" Super HAD CCD | | | | | |
| Total Pixels | 811(H) x 508(V) | 795(H) x 596(V) | 811(H) x 508(V) | 795(H) x 596(V) | 811(H) x 508(V) | 795(H) x 596(V) |
| Effective Pixels | 768(H) x 494(V) | 752(H) x 582(V) | 768(H) x 494(V) | 752(H) x 582(V) | 768(H) x 494(V) | 752(H) x 582(V) |
| Scanning System | 2 : 1 Interlace | | | | | |
| Synchronization | Internal / Line lock | | | | | |
| Frequency | H : 15.734KHz V : 59.94Hz | H : 15.625KHz V : 50Hz | H : 15.734KHz V : 59.94Hz | H : 15.625KHz V : 50Hz | H : 15.734KHz V : 59.94Hz | H : 15.625KHz V : 50Hz |
| Horizontal Resolution | 580TV lines (Min.) | | | | | |
| Min. Illumination | Color : 0.15Lux (50 IRE@F1.2), 0.0006Lux (Sens-up, 256X) | | | | | |
| S / N (Y signal) | 52dB | | | | | |
| Video Output | CVBS : 1.0Vp-p / 75Ω | | | | | |
| LENS | | | | | | |
| Zoom Ratio | Fixed | | | | | |
| Focal Length | 3.7mm | | 8mm | | 3.7, 8mm | |
| Max. Aperture Ratio | F2.0 | | | | | |
| Min. Object Distance | 0.4m (1.31ft) | | | | | |
| Angular Field of View | H : 71°, V : 52° | | H : 33°, V : 25° | | H : 71°, V : 52° / H : 33°, V : 25° | |
| PAN / TILT / ROTATE | | | | | | |
| Pan Range | 0° ~ 352° | | | | | |
| Tilt Range | 0° ~ 75° | | | | | |
| Rotate Range | 0° ~ 348° | | | | | |
| OPERATIONAL | | | | | | |
| On Screen Display | Built-in (Multi-language support) | | | | | |
| Camera Title | On / Off | | | | | |
| Day & Night | Auto (Electrical) / Color / B/W | | | | | |
| Backlight Compensation | BLC / HLC / Off | | | | | |
| Motion Detection | On / Off | | | | | |
| Privacy Masking | On / Off (8 Programmable zones) | | | | | |
| 3D Noise Filter (SSNRII) | On / Off | | | | | |
| Sens-up (Frame Integration) | On / Off (Selectable limit ~ 256X) | | | | | |
| Gain Control | Low / High / Off | | | | | |
| White Balance | ATW / AWC / Manual / Indoor / Outdoor | | | | | |
| Electronic Shutter Speed | Auto (NTSC : 1/60 ~ 1/120,000sec, PAL : 1/50 ~ 1/120,000) / Manual / A/FLK | | | | | |
| Flip | On / Off | | | | | |
| Mirror | On / Off | | | | | |
| ENVIRONMENTAL | | | | | | |
| Operating Temperature / Humidity | -10°C ~ +50°C / 20% ~ 80% RH | | | | | |
| Storage Temperature / Humidity | -20°C ~ +60°C / 20% ~ 90% RH | | | | | |
| MECHANICAL | | | | | | |
| Dimension (WxH) | Ø107.5 x 84.7mm (Ø4.23" x 3.33") | | | | | |
| Weight | 260g (0.57 lb) | | | | | |

Dimensions

Unit : mm (inch)



High Resolution Day & Night Dome Camera
SID-47/48/49

imagine clarity you can see in Day & Night

The Samsung Techwin SID-47/48/49 is redefining what you should expect for features and performance in a fixed mini-dome camera. Using our 4th generation W-IV DSP, these cameras feature 580TV lines of resolution in color and 700TV lines of resolution in black and white. In addition, features such as digital image stabilization and 3D digital noise filtering come standard making it the most cost effective and powerful mini dome in it's class.



The Eco mark represents Samsung Techwin's will to create environment-friendly products, and indicates that the product satisfies the EU RoHS Directive.

Design and specifications are subject to change without notice.



SAMSUNG TECHWIN CO., LTD.
145-3, Sangdaewon 1-dong, Jungwon-gu, Seongnam-si, Gyeonggi-do Korea 462-703
Tel : +82-31-740-8151~8 Fax : +82-31-740-8145
www.samsungcctv.com

SAMSUNG TECHWIN AMERICA
1480 Charles Willard St. Carson, CA 90746, UNITED STATES
Tel : +1-310-632-1234 Fax : +1-310-632-2195
www.samsungcctvusa.com

SAMSUNG OPTO-ELECTRONICS UK, LTD.
Samsung House, 1000 Hillwood Drive, Hillwood Business Park
Chertsey, Surrey, UNITED KINGDOM KT16 0PS
Tel : +44-1932-45-5308 Fax : +44-1932-45-5325

TIANJIN SAMSUNG OPTO-ELECTRONICS CO., LTD.
No.9 Zhangheng Street, Micro-Electronic Industrial Park
Jingang Road, Tianjin, P.R. CHINA 300385
Tel : +86-22-23887788-8503 Fax : +86-22-23887788-8505

■ DISTRIBUTED BY



I.D-0809

SAMSUNG TECHWIN



Compact Design, Powerful Performance

High Resolution Day & Night Dome Camera

SID-47/48/49

The SID-47, SID-48 and SID-49 are compact high performance cameras that will re-define what you would expect in a low-cost indoor fixed dome. They utilize the latest W-IV DSP engine, which means they offer a lot of performance and functionality that you would normally expect to see in a much higher cost product. These features include Day & Night operation, a low light level performance of 0.15Lux, and resolution that is higher than 580TV lines. In addition, there are built-in functions including the convenient OSD setup menus, 8 zone privacy masking, and motion detection.



The Versatile Mini Dome with 3-Axis Rotation

High Resolution



High resolution of **580TV lines**

SID-47/48/49 cameras produce high quality images of 580TV lines resolution by applying Samsung Techwin's own image processing technology. This technology uses sophisticated exposure control and edge detection algorithms to provide the highest resolution image for any standard definition camera in the industry.



Conventional Camera



SID-47/48/49

High Sensitivity



Low light performance

The SID-47/48/49 works extremely well in challenging low light applications. It requires only 0.15Lux to provide color pictures, and when light levels fall below this, it switches to B/W mode for greater sensitivity. In addition, the SID-47/48/49 offer Sens-up frame integration mode which makes it possible to operate down to levels as low as 0.0006Lux.



Conventional Camera



SID-47/48/49

Easy To Install



3-Axis mechanical design

The SID-47/48/49 lens can be positioned to any angle allowing the unit to be easily mounted on a wall or a sloped surface. This allows the camera angle to be adjusted even after it has been installed.



Ceiling

Wall

Slope



Various choices of lenses



The SID-47 comes with a 3.7mm fixed lens that provides a wide angle view that is ideal for small areas. The SID-48 comes with a 8mm fixed lens which affords a 33° horizontal field of view which is ideal for most of indoor applications. The SID-49 includes both the 3.7 and 8mm fixed lenses allowing installers to select the lens needed for the specific application.



3.7mm

8mm

Advanced Features

The SID-47/48/49 includes many advanced features and performance normally found only in expensive system cameras.

- Backlight Compensation (BLC)
- Highlight compensation (HLC)
- 3D noise filter (SSNR II)
- Programmable motion detection and privacy masking
- Wide range of white balance
- Frame integration (Sens-up)
- Programmable on screen menus