

SIC-0800/SIK-0001

8 Wired Zones Alarm System / 8 Wired Zones Alarm Keypad

Features

- 8 programmable wired zones
- 6 receive phones : 2 for central station and 4 for phone
- Communication protocol : ADMECO 4+1 and contact ID
- Remote control by telephone
- 1 bell output, 1 PGM output
- Keypad buzzer indication
- Bell call back function
- 200 event log
- Anti-temper and anti-cut for both control panel and keypad wire
- Malfunction alarm : AC power failure, low battery and telephone line loss
- Emergency keystroke on keypad
- PGM output
- Approval Listing : EN50131-1 Grade 1

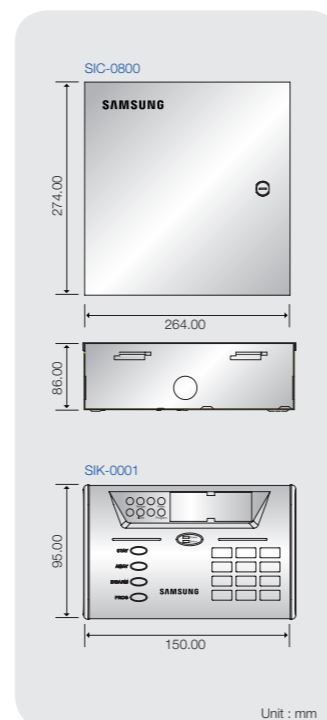
* SIC-0800 includes control a panel and a keypad (SIK-0001)
* These models are unavailable in Americas



Specification

	SIC-0800	SIK-0001
Zone	8 Wired	-
Receive Phone	6	-
Connect Keypad	4	-
Protocol	ADECO 4+1, Contact ID	-
Output	Bell, 1 PGM	-
Event Log	200	-
Anti Temper	0	-
Anti Cut	0	-
Malfunction Alarm	0	-
Auto-check Function	0	-
Input Voltage (Control Panel)	220V AC	-
Input Voltage (Keypad)	12V DC	-
Current (Control Panel)	≤ 70mA	-
Current (Keypad)	≤ 30mA	-
Power Consumption	9.7W (Connect 8 detectors and one keypad)	0.36W
Operating Temperature	-10~ +55°C	-
Operating Humidity	Less than 95%	-
Dimension (Control Panel)	274 x 264 x 86mm (10.79" x 10.39" x 3.39")	-
Dimension (Keypad)	150 x 95 x 30mm (5.9" x 3.74" x 1.18")	-
Weight	2,880g (6.3lb)	190g (0.4lb)

Dimension



SIC-0400

4 Wired Zones Alarm System

Features

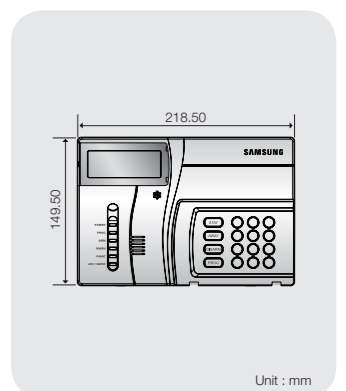
- 4 programmable wired zones
- 6 alarm telephone numbers : 2 for receiving centre and 4 for private telephones
- Communication protocol : ADMECO 4+1/contact ID
- Remote control through telephone
- Bell output, buzzer indication
- Bell callback function
- Three passwords : 1 user code +1 duress code +1 operation password
- 250 events record
- System Self-checking
- Bypass direction
- Anti-tamper function of control panel
- Malfunction alarms for AC power loss, battery low-voltage and telephone line loss
- Approval Listing : EN50131-1 Grade 2



Specification

	SIC-0400
Zone	4 Wired
Receive Phone	6
Connect Keypad	-
Protocol	ADECO 4+1, Contact ID
Output	1 Bell
Event Log	250
Anti Temper	0
Anti Cut	0
Malfunction Alarm	0
Input Voltage	100~240VC
Current	≤ 130mA
Operating Temperature	-10 ~ +55°C
Operating Humidity	Less than 95%
Dimensions (WxHxD)	218.5 x 149.5 x 39mm (8.6" x 5.89" x 1.54")
Weight	770g (1.7lb)

Dimension



Unit : mm