

# See further, Watch what you want

## 37x PTZ Dome Cameras



1/4" 37x High Resolution WDR PTZ Dome Camera

# SCP-3370TH/3370H/3370

The SCP-3370 PTZ dome series includes advanced auto tracking and a class leading 37X optical zoom (3.5-129.5mm) with ultra low light level capabilities of 0.7Lux Color and 0.07Lux B/W without Sens-up activated. With SVV DSP engine, the SCP-3370 PTZ domes feature SSNR III, the 3rd generation of Samsung Super Noise Reduction, WDR, and VPS (Virtual Progressive Scan) to deliver clear and vivid images in any condition. The SCP-3370H/3370TH are with housing models, waterproof IP66 rated and have built-in fan & heater. The SCP-3370TH features the object tracking intelligent video analytic function, which follows a moving object within its target area, resulting in efficient and accurate monitoring.

- Powerful 37x zoom (3.5 ~ 129.5mm), Digital 16x
- High resolution of 600 TV Lines
- Day & Night (ICR), WDR, VPS, Intelligent video, SSNR III
- Built-in fan/heater (SCP-3370TH/3370H)
- Auto tracking functions (SCP-3370TH)

# 1/4" 37x High Resolution WDR PTZ Dome Camera

# SCP-3370TH/3370H/3370



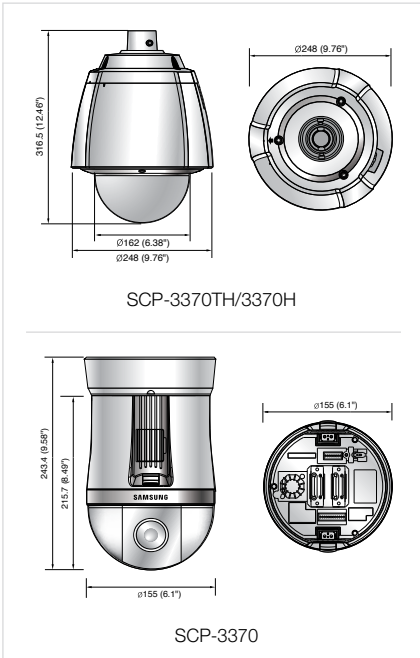
SCP-3370TH/3370H



SCP-3370

## Dimensions

Unit : mm (inch)



## Specifications

	SCP-3370THN/3370HN/3370N	SCP-3370THP/3370HP/3370P
<b>VIDEO</b>		
Imaging Device	1/4" Ex-view HAD CCD	
Total Pixels	811(H) x 508(V)	795(H) x 596(V)
Effective Pixels	768(H) x 494(V)	752(H) x 582(V)
Scanning System	2 : 1 Interlace	
Synchronization	Internal / Line lock	
Frequency	H : 15.734KHz / V : 59.94Hz	H : 15.625KHz / V : 50Hz
Horizontal Resolution	Color : 600TV lines	
Min. Illumination	Color : 0.7Lux@F1.6 (50IRE), 0.001Lux (Sens-up, 512x), B/W : 0.07Lux@F1.6 (50IRE), 0.0001Lux (Sens-up, 512x)	
S / N Ratio	52dB (AGC off, Weight on)	
Video Output	CVBS : 1.0 Vp-p / 75Ω composite	
<b>LENS</b>		
Focal Length (Zoom Ratio)	3.5 ~ 129.5mm (Optical 37x)	
Max. Aperture Ratio	1 : 1.6(Wide) ~ 3.9(Tele)	
Angular Field of View	H : 55.5°(Wide) ~ 1.59°(Tele) / V : 42.5°(Wide) ~ 1.19°(Tele)	
Min. Object Distance	1.8m (5.91ft)	
Focus Control	Auto / Manual / One shot	
Zoom Movement Speed	2.8sec	
<b>PAN / TILT</b>		
Pan Range	360° Endless	
Pan Speed	Preset : 600°/sec, Manual : 0.024°/sec ~ 120°/sec (Proportional zoom ratio)	
Tilt Range	-5° ~ 185°	
Tilt Speed	Preset : 600°/sec, Manual : 0.024°/sec ~ 120°/sec (Proportional zoom ratio)	
Preset	255	
Preset Accuracy	±0.1°	
Auto Tracking	Yes (SCP-3370TH only)	
<b>OPERATIONAL</b>		
On Screen Display	English, Japanese, Spanish, French, Portuguese, Taiwanese, Korean	English, French, German, Spanish, Italian, Chinese, Russian, Polish, Czech, Turkish, Portuguese
Camera Title	Off / On (Displayed 12 characters)	
Day & Night	Auto (ICR) / External / Color / B/W	
Backlight Compensation	BLC / HLC / Off / WDR	
Wide Dynamic Range	128x	160x
Contrast Enhancement	SSDR (Off / On)	
Digital Noise Reduction	SSNR III (Off / On)	
Digital Image Stabilization	Off / On	
Motion Detection	Built-in	
Privacy Masking	Off / On (8 programmable zones)	
Sens-up (Frame Integration)	2x ~ 512x	
Gain Control	Off / Low / Medium / High / Manual	
White Balance	ATW / Outdoor / Indoor / Manual / AWC (1,700K ~ 11,000K)	
Electronic Shutter Speed	1/60 ~ 1/120,000sec	1/50 ~ 1/120,000sec
Digital Zoom	Off / On (1x ~ 16x)	
Digital Flip	Off / On	
VPS	Off / On	
Intelligent Video	Off / Detection / Tracking / Fixed_Moved	
PIP	Off / On	
Schedule	Day / Time	
Alarm	8 In 3 Out	
Communication	Coaxial control (SPC-300 compatible), RS-485	
Protocol	Coax : Pelco-C (Coaxitron), RS-485 : Samsung-T/E, Pelco-D/P, Panasonic, Bosch, Honeywell, Vicon, AD, GE	
<b>ENVIRONMENTAL</b>		
Operating Temperature / Humidity	-50°C ~ +50°C (-58°F ~ +122°F) / Less than 90% RH : SCP-3370TH/3370H -10°C ~ +50°C (+14°F ~ +122°F) / 20% ~ 80% RH : SCP-3370	
Ingress Protection	IP66 : SCP-3370TH/3370H	
<b>ELECTRICAL</b>		
Input Voltage / Current	24V AC ±10%	
Power Consumption	Max. 15W / 60W (Fan & heater on) : SCP-3370TH/3370H, Max. 15W : SCP-3370	
<b>MECHANICAL</b>		
Color / Material	Ivory / Aluminum, Plastic (Dome cover : Clear)	
Dimensions (WxH)	Ø248.0 x 316.5mm (Ø9.76" x 12.46") : SCP-3370TH/3370H, Ø155.0 x 243.4mm (Ø6.1" x 9.58") : SCP-3370	
Weight	4.5Kg (9.92 lb) : SCP-3370TH/3370H, 2Kg (4.41 lb) : SCP-3370	

## Accessories (Optional)



Design and specifications are subject to change without notice.



The Eco mark represents Samsung Techwin's will to create environment-friendly products, and indicates that the product satisfies the EU RoHS Directive.



### SAMSUNG TECHWIN CO., LTD.

701, Sampyeong-dong, Bundang-gu, Seongnam-si, Gyeonggi-do Korea 463-400  
Tel : +82-70-7147-8741~8749, 8752~8760 Fax : +82-31-8018-3745  
www.samsungsecurity.com www.samsungcctv.com

### SAMSUNG TECHWIN AMERICA INC.

100 Challenger Rd. Suite 700 Ridgefield Park, NJ 07660  
Toll Free : +1-877-213-1222 Direct : +1-201-325-6920  
Fax : +1-201-373-0124  
www.samsungcctvusa.com

### SAMSUNG TECHWIN EUROPE LTD.

Samsung House, 1000 Hillwood Drive, Hillwood Business Park  
Chertsey, Surrey, UNITED KINGDOM KT16 0PS  
Tel : +44-1932-45-5300 Fax : +44-1932-45-5325

### TIANJIN SAMSUNG TECHWIN OPTO-ELECTRONICS CO., LTD.

No.11 Wei 6 Street, Micro-Electronic Industrial Park  
Jingang Road, Tianjin, P.R. CHINA 300385  
Tel : +86-22-23887788 Fax : +86-22-23887788

■ DISTRIBUTED BY

