

Real clarity with HD-SDI



Full HD HD-SDI Camera

SCD-6080

The SCD-6080 is Samsung Techwin's HD-SDI megapixel digital camera, using HD-SDI technology this camera transfers HD Megapixel images without signal interruption or video delay; it is ideal for use in high-security surveillance applications for example; casinos, banking and hotels. The SCD-6080 can transfer full HD (1920 x 1080) resolution videos max. 100m distance at 30fps real-time. In addition, this true day/night camera has a 2.8x motorized varifocal lens provides flexibility for installation, SSSR and SSNR III.

- Full HD (1,920x1,080, 30fps) mega resolution, HD(1280 x 720, 60fps)
- Min. Illumination 1 Lux @F1.2 (Color), 0.1 Lux (B/W)
- 2.8x varifocal lens(3 ~ 8.5mm)
- True Day & Night (ICR), MD
- SSNR III (3D+2D), RS-485, dual Power

Full HD HD-SDI Camera

SCD-6080



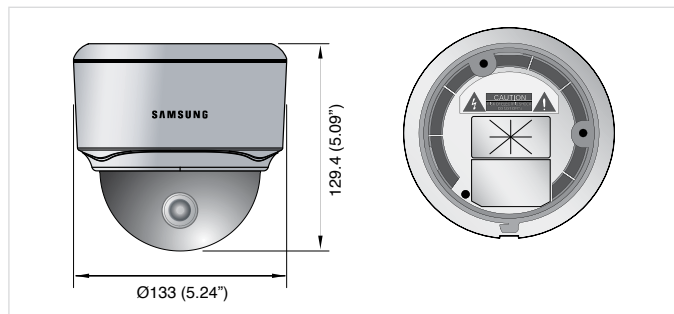
Specifications

SCD-6080	
VIDEO	
Imaging Device	1/3" Progressive Scan CMOS
Total Pixels	2,010(H) x 1,108(V), 2.2M Pixels
Effective Pixels	1,944(H) x 1,092(V), 2.1M Pixels
Scanning System	Progressive Scan
Min. Illumination	Color : 1Lux @ F1.2, 0.017Lux (Sens-up, 60x), B/W : 0.1 Lux @ F1.2, 0.0017Lux (Sens-up, 60x)
S / N Ratio	50dB (AGC off, Weight on)
Video Output	SMPTE292M (HD-SDI), Monitoring CVBS
LENS TYPE	
Focal Length (Zoom Ratio)	3 ~ 8.5mm (2.8x)
Max. Aperture Ratio	1 : 1.24(Wide) ~ 2.16(Tele)
Angular Field of View	H : 105°(Wide) ~ 36.9°(Tele) / V : 58°(Wide) ~ 20.8°(Tele)
Min. Object Distance	0.5m
Focus Control	Manual, One-shot
Lens Type	DC Auto Iris, Motorized V/F
Mount Type	Board Type
PAN / TILT	
Pan Range	0° ~ 355°
Tilt Range	0° ~ 90°
Rotate Range	0° ~ 355°
OPERATIONAL	
On Screen Display	English, Korean, French, German, Spanish, Italian, Chinese, Russian, Polish, Swedish, Danish, Portuguese, Japanese, Serbian, Czech, Romanian, Turkish, Taiwanese, Thai
Camera Title	Off / On (Displayed 15 characters)
Day & Night	Auto (ICR), Color & B/W, External
Backlight Compensation	Off / User BLC / HLC
Contrast Enhancement	SSDR (Off / On)
Digital Noise Reduction	SSNRIII (Off / On)
Motion Detection	Motion Detection (Off / On)
Privacy Masking	Off / On (16 Rectangular zones)
Sens-up (Frame Integration)	2x ~ 60x
Gain Control	Off / Low / Medium / High
White Balance	ATW / Outdoor / Indoor / Manual / AWC (1,700K° ~ 11,000K°)
Electronic Shutter Speed	Esc / A.FLK / Manual (1/30~1/12,000) / Fixed
Digital Zoom	Off / On (1x ~ 16x)
Reverse	Off / H-Rev / V-Rev / HV-Rev
Alarm	(MD) Output 1, External D/N In 1
Communication	RS-485
Protocol	RS-485 : SAMSUNG-T, SAMSUNG-E, Pelco-D, Pelco-P, BOSCH, Honeywell, VICON, PANASONIC, GE, AD
ENVIRONMENTAL	
Operating Temperature / Humidity	0°C ~ +50°C (+32°F ~ +122°F) / Less than 90% RH
ELECTRICAL	
Input Voltage/Current	Dual (24V AC±10% & 12V DC±10%)
Power Consumption	Max. 6W
MECHANICAL	
Color / Material	Body : Ivory / Plastic
Dimension (W x Ø)	H129.4 x Ø133mm (H5.09" x Ø5.24")
Weight	537g (1.18 lb)
TRANSMISSION DISTANCE	
5C2V (75ohm)	Max. 100~140m
L-6CHD (75ohm)	Max. 200m

* This transmission distance is theoretically calculated number, and real transmission distance can be affected by installation environment.

Dimensions

Unit : mm (inch)



Accessories (Optional)

- SPH-120R(Repeater)
- SPH-110C(Converter)



The Eco mark represents Samsung Techwin's will to create environment-friendly products, and indicates that the product satisfies the EU RoHS Directive.

Design and specifications are subject to change without notice.

SAMSUNG TECHWIN CO., LTD.

701, Sampyeong-dong, Bundang-gu, Seongnam-si, Gyeonggi-do Korea 463-400
Tel : +82-70-7147-8741~8749, 8752~8760 Fax : +82-31-8018-3745
www.samsungsecurity.com www.samsungcctv.com

SAMSUNG TECHWIN AMERICA INC.

100 Challenger Rd. Suite 700 Ridgefield Park, NJ 07660
Toll Free : +1-877-213-1222 Direct : +1-201-325-6920
Fax : +1-201-373-0124
www.samsungcctvusa.com

SAMSUNG TECHWIN EUROPE LTD.

Samsung House, 1000 Hillwood Drive, Hillwood Business Park
Chertsey, Surrey, UNITED KINGDOM KT16 0PS
Tel : +44-1932-45-5300 Fax : +44-1932-45-5325

TIANJIN SAMSUNG TECHWIN OPTO-ELECTRONICS CO., LTD.

No.11 Wei 6 Street, Micro-Electronic Industrial Park
Jingang Road, Tianjin, P.R. CHINA 300385
Tel : +86-22-23887788 Fax : +86-22-23887788

■ DISTRIBUTED BY

