



High Resolution &
Compact Design



High Resolution Dome Camera

SCD-2021



- Supreme color image quality at 600TV lines resolution
- Excellent sensitivity (0.15Lux)
- 3-Axis mechanical design (Indoor)
- SSNRIII (Samsung Super Noise Reduction)
- Coaxial OSD control

High Resolution Dome Camera

SCD-2021

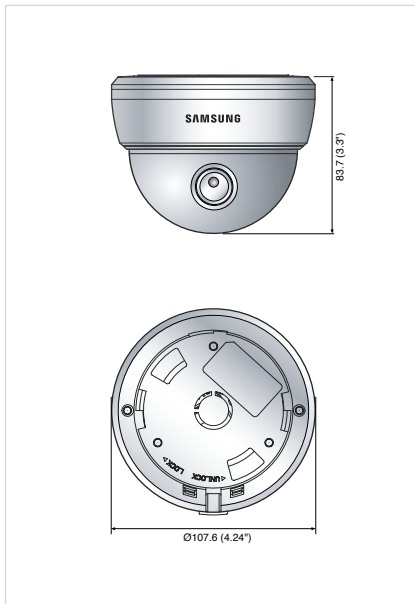


Specifications

	SCD-2021N	SCD-2021P
ELECTRICAL		
Input Voltage	Dual (12V DC/ 24V AC)	
Power Consumption	Max. 3.5W	
VIDEO		
Imaging Device	1/3" Super HAD CCD	
Total Pixels	811(H) x 508(V)	795(H) x 596(V)
Effective Pixels	768(H) x 494(V)	752(H) x 582(V)
Scanning System	2 : 1 Interlace	
Synchronization	Internal / Line lock	
Frequency	H : 15.734KHz / V : 59.94Hz	H : 15.625KHz / V : 50Hz
Horizontal Resolution	600TV lines (Min.)	
Min. Illumination	Color : 0.15Lux (50 IRE@F1.2), 0.0003Lux (Sens-up, 512x)	
S / N (Y signal)	52dB	
Video Output	CVBS : 1.0Vp-p / 75Ω composite	
LENS		
Zoom Ratio	Fixed	
Focal Length	3.7mm, 8mm	
Max. Aperture Ratio	F2.0	
Min. Object Distance	0.4m (1.31ft)	
Angular Field of View	H : 71°, V : 52°	H : 33°, V : 25°
PAN / TILT / ROTATE		
Pan Range	0° ~ 352°	
Tilt Range	0° ~ 75°	
Rotate Range	0° ~ 348°	
OPERATIONAL		
On Screen Display	English, Japanese, Spanish, French, Portuguese, Taiwanese, Korean	English, French, German, Spanish, Italian, Chinese, Russian, Polish, Czech, Romanian, Serbian, Swedish, Danish, Turkish, Portuguese
Camera Title	On / Off (Displayed 15 characters)	
Day & Night	Auto (Electrical) / Color / B/W	
SSDR	On / Off (Level adjustable)	
Backlight Compensation	BLC / HLC / Off	
Motion Detection	On / Off (8 programmable zones)	
Digital Image Stabilization	On / Off	
Privacy Masking	On / Off (12 Programmable zones)	
2D+3D Noise Filter (SSNR III)	On / Off	
Sens-up (Frame Integration)	Auto / Off (Selectable 2x ~ 512x)	
Gain Control	Low / High / Off	
White Balance	ATW / AWC / Manual / Indoor / Outdoor	
Electronic Shutter Speed	ATW / Outdoor / Indoor / Manual / AWC (1,700K° ~ 11,000K°)	
Communication	Coaxial Control	
Flip / Mirror	On / Off	
ENVIRONMENTAL		
Operating Temperature	-10°C ~ +50°C (+14°F ~ +122°F)	
Operating Humidity	30% ~ 90% RH	
MECHANICAL		
Dimension (WxH)	Ø107.6 x 83.7mm (Ø4.24" x 3.3")	
Weight	285g (0.63 lb)	
Certifications	FCC (Class A), UL/cUL listed	CE (Class A), UL/cUL listed

Dimensions

Unit : mm (inch)



The Eco mark represents Samsung Techwin's will to create environment-friendly products, and indicates that the product satisfies the EU RoHS Directive.

Design and specifications are subject to change without notice.



SAMSUNG TECHWIN CO., LTD.

145-3, Sangdaewon 1-dong, Jungwon-gu, Seongnam-si, Gyeonggi-do Korea 462-703
Tel : +82-70-7147-8741~8749, 8752~8760 Fax : +82-31-8018-3745
www.samsungcctv.com www.samsungsecurity.com

SAMSUNG TECHWIN AMERICA Inc.
1480 Charles Willard St, Carson, CA 90746, UNITED STATES
Tel Free : +1-877-213-1222 Fax : +1-310-632-2195
www.samsungcctvusa.com

SAMSUNG TECHWIN EUROPE LTD.
Samsung House, 1000 Hillwood Drive, Hillwood Business Park
Chertsey, Surrey, UNITED KINGDOM KT16 OPS
Tel : +44-1932-45-5300 Fax : +44-1932-45-5325

TIANJIN SAMSUNG TECHWIN OPTO-ELECTRONICS CO., LTD.
No.11 Wei 6 Street, Micro-Electronic Industrial Park
Jingang Road, Tianjin, P.R. CHINA 300385
Tel : +86-22-23887788 Fax : +86-22-23887788

■ DISTRIBUTED BY

