

Compact, light weight design



High Resolution Mini Dome Camera

SCD-2010/2030

SCD-2010/2030 mini dome cameras have been designed to generate outstanding images in various installation environments. During the day these cameras produce vivid graphics at of 600TV lines resolution. In addition, there are built-in coaxial control compatibility and also, SID-2010/2030 comes with a 3mm/6mm fixed lens that is ideal for small areas such as elevators and for most indoor applications.

- Based on W-V DSP engine
- Built-in 3mm/6mm auto iris fixed lens
- High resolution of 600TV lines
- Min.illumination of 0.04Lux@F1.2
- SSNR III, coaxial control
- Compact, light weight and stylish design



High Resolution Mini Dome Camera

SCD-2010/2030

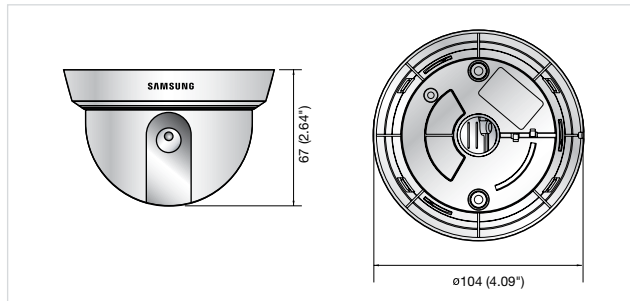


Specifications

	SCD-2010N/2030N	SCD-2010P/2030P
ELECTRICAL		
Input Voltage	12V DC	
Power Consumption	Max. 1.8W	
VIDEO		
Imaging Device	1/3" Super HAD CCD	
Total Pixels	811(H) x 508(V)	795(H) x 596(V)
Effective Pixels	768(H) x 494(V)	752(H) x 582(V)
Scanning System	2 : 1 Interlace	
Synchronization	Internal	
Frequency	H : 15.734KHz / V : 59.94Hz	H : 15.625KHz / V : 50Hz
Horizontal Resolution	600TV lines	
Min. Illumination	Color : 0.04Lux (50 IRE@F1.2, Sens-up)	
S / N (Y signal)	52dB (AGC off, Weight on)	
Video Output	CVBS : 1.0Vp-p / 75 composite	
LENS		
Zoom Ratio	Fixed	
Focal Length	3mm : SCD-2010 / 6mm : SCD-2030	
Max. Aperture Ratio	F2.0 : SCD-2010 / F2.5 : SCD-2030	
Min. Object Distance	0.4m (1.31ft)	
Angular Field of View	H : 95°, V : 71° : SCD-2010 / H : 46°, V : 34° : SCD-2030	
PAN / TILT		
Pan Range	0° ~ 352°	
Tilt Range	0° ~ 75°	
OPERATIONAL		
Backlight Compensation	Off (Coaxial osd : BLC / HLC / Off)	
2D+3D Noise Filter (SSNRIII)	Off (Coaxial osd : On / Off (Level adjustable))	
Sens-up (Frame Integration)	Auto (Coaxial osd : Auto / Off (Selectable 2x ~ 512x))	
Gain Control	High (Coaxial osd : Low / High / Off)	
White Balance	ATW (Coaxial osd : AWC / Manual / Indoor / Outdoor / ATW (1,700°K ~ 11,000°K))	
Electronic Shutter Speed	1/60 ~ 1/120K sec	1/50 ~ 1/120K sec
Communication	Coaxial control	
ENVIRONMENTAL		
Operating Temperature / Humidity	-10°C ~ +50°C (+14°F ~ +122°F) / Less than 90% RH	
MECHANICAL		
Dimension (WxH)	Ø104 x 67mm (Ø4.09" x 2.64")	
Weight	180g (0.4 lb)	
Certifications	FCC (Class A)	CE (Class A)

Dimensions

Unit : mm (inch)



The Eco mark represents Samsung Techwin's will to create environment-friendly products, and indicates that the product satisfies the EU RoHS Directive.

Design and specifications are subject to change without notice.



SAMSUNG TECHWIN CO., LTD.

701, Sampyeong-dong, Bundang-gu, Seongnam-si, Gyeonggi-do Korea 463-400
Tel : +82-70-7147-8741~8749, 8752~8760 Fax : +82-31-8018-3745
www.samsungsecurity.com www.samsungcctv.com

SAMSUNG TECHWIN AMERICA INC.
1480 Charles Willard St, Carson, CA 90746, UNITED STATES
Tel Free : +1-877-213-1222 Fax : +1-310-632-2195
www.samsungcctvusa.com

SAMSUNG TECHWIN EUROPE LTD.
Samsung House, 1000 Hillwood Drive, Hillwood Business Park
Chertsey, Surrey, UNITED KINGDOM KT16 OPS
Tel : +44-1932-45-5300 Fax : +44-1932-45-5325

TIANJIN SAMSUNG TECHWIN OPTO-ELECTRONICS CO., LTD.
No.11 Wei 6 Street, Micro-Electronic Industrial Park
Jingang Road, Tianjin, P.R. CHINA 300385
Tel : +86-22-23887788 Fax : +86-22-23887788

■ DISTRIBUTED BY

